

Basler scout



USER'S MANUAL for scout-f Cameras Used with the Basler pylon Camera Software Suite

Document Number: AW000125

Version: 14 Language: 000 (English)

Release Date: 23 January 2015

For customers in the USA

This equipment has been tested and found to comply with the limits for a Class A digital device, pursuant to Part 15 of the FCC Rules. These limits are designed to provide reasonable protection against harmful interference when the equipment is operated in a commercial environment. This equipment generates, uses, and can radiate radio frequency energy and, if not installed and used in accordance with the instruction manual, may cause harmful interference to radio communications. Operation of this equipment in a residential area is likely to cause harmful interference in which case the user will be required to correct the interference at his own expense.

You are cautioned that any changes or modifications not expressly approved in this manual could void your authority to operate this equipment.

The shielded interface cable recommended in this manual must be used with this equipment in order to comply with the limits for a computing device pursuant to Subpart B of Part 15 of FCC Rules.

For customers in Canada

This apparatus complies with the Class A limits for radio noise emissions set out in Radio Interference Regulations.

Pour utilisateurs au Canada

Cet appareil est conforme aux normes Classe A pour bruits radioélectriques, spécifiées dans le Règlement sur le brouillage radioélectrique.

Life support applications

These products are not designed for use in life support appliances, devices, or systems where malfunction of these products can reasonably be expected to result in personal injury. Basler customers using or selling these products for use in such applications do so at their own risk and agree to fully indemnify Basler for any damages resulting from such improper use or sale.

Warranty note

Do not open the housing of the camera. The warranty becomes void if the housing is opened.

All material in this publication is subject to change without notice and is copyright Basler AG.

Contacting Basler Support Worldwide

Europe

Basler AG
An der Strusbek 60 - 62
22926 Ahrensburg
Germany

Tel. +49 4102 463 515
Fax +49 4102 463 599

support.europe@baslerweb.com

The Americas

Basler, Inc.
855 Springdale Drive, Suite 203
Exton, PA 19341
USA

Tel. +1 610 280 0171
Fax +1 610 280 7608

support.usa@baslerweb.com

Asia

Basler Asia Pte. Ltd.
35 Marsiling Industrial Road 3
05 - 06
Singapore 739257

Tel. +65 6367 1355
Fax +65 6367 1255

support.asia@baslerweb.com

www.baslerweb.com

Table of Contents

1	Specifications, Requirements, and Precautions	1
1.1	Models	1
1.2	General Specifications	2
1.3	Spectral Response for Mono Cameras	12
1.4	Spectral Response for Color Cameras	18
1.5	Mechanical Specifications	24
1.5.1	Standard Housing	24
1.5.1.1	Camera Dimensions and Mounting Points	24
1.5.1.2	Sensor Positioning Accuracy	27
1.5.2	90° Head Housing	29
1.5.2.1	Camera Dimensions and Mounting Points	29
1.5.2.2	Sensor Positioning Accuracy	31
1.5.3	Maximum Thread Length on Color Cameras	32
1.5.4	Mechanical Stress Test Results	33
1.6	Software Licensing Information	34
1.6.1	LWIP TCP/IP Licensing	34
1.6.2	LZ4 Licensing	35
1.7	Avoiding EMI and ESD Problems	36
1.8	Environmental Requirements	37
1.8.1	Temperature and Humidity	37
1.8.2	Ventilation	37
1.9	Precautions	38
2	Software and Hardware Installation	41
3	Tools for Changing Camera Parameters	43
3.1	pylon Camera Software Suite	43
3.1.1	pylon Viewer	43
3.1.2	pylon SDKs	44
4	Functional Description	45
4.1	Overview (All Models Except scA750-60)	45
4.2	Overview (scA750-60 Only)	47
5	Physical Interface	49
5.1	General Description of the Connections	49
5.2	Camera Connector Types, Connection Numbering, and Assignments	50
5.2.1	Pin Numbering	50
5.2.2	IEEE 1394b Connector	50
5.2.3	12-pin Connector	51
5.3	Cabling Requirements	52
5.3.1	IEEE 1394b Cable	52
5.3.2	I/O Cable	53

5.4	IEEE 1394b Device Information	54
5.5	Camera Power	55
5.6	Input and Output Lines	56
5.6.1	Input Lines	56
5.6.1.1	Voltage Requirements.	56
5.6.1.2	Line Schematic	57
5.6.2	Output Lines.	58
5.6.2.1	Voltage Requirements.	58
5.6.2.2	Line Schematic	58
5.6.3	Output Line Response Time	59
6	I/O Control	61
6.1	Configuring Input Lines.	61
6.1.1	Assigning an Input Line to Receive a Hardware Trigger Signal.	61
6.1.2	Using an Unassigned Input Line to Receive a User Input Signal	62
6.1.3	Setting an Input Line for Invert.	62
6.2	Configuring Output Lines	63
6.2.1	Assigning a Camera Output Signal to a Physical Output Line.	63
6.2.2	Setting the State of User Settable Output Lines	64
6.2.3	Setting an Output Line for Invert	65
6.2.4	Working with Timers	66
6.2.4.1	Setting the Trigger Source for a Timer	66
6.2.4.2	Setting a Timer Delay Time.	67
6.2.4.3	Setting a Timer Duration Time	69
6.3	Checking the State of the I/O Lines	71
6.3.1	Checking the State of a Single Output Line.	71
6.3.2	Checking the State of All Lines	72
7	Image Acquisition Control	73
7.1	Image Acquisition Control Modes: Legacy and Standard.	73
7.2	Means for Controlling Image Acquisition in Standard Mode.	75
7.3	Acquisition Start and Stop Commands and the Acquisition Mode (Legacy and Standard Mode).	79
7.4	The Acquisition Start Trigger in Standard Mode.	81
7.4.1	Acquisition Start Trigger Mode (Standard Mode).	82
7.4.1.1	Acquisition Start Trigger Mode = Off	82
7.4.1.2	Acquisition Start Trigger Mode = On	82
7.4.2	Acquisition Frame Count (Standard Mode)	83
7.4.3	Setting the Acquisition Start Trigger Mode and Related Parameters (Standard Mode).	83
7.4.4	Using A Software Acquisition Start Trigger (Standard Mode)	85
7.4.4.1	Introduction	85
7.4.4.2	Setting the Parameters Related to Software Acquisition Start Triggering and Applying a Software Trigger Signal.	85
7.4.5	Using a Hardware Acquisition Start Trigger	

	(Standard Mode)	86
	7.4.5.1 Introduction	86
	7.4.5.2 Setting the Parameters Related to Hardware Acquisition Start Triggering and Applying a Hardware Trigger Signal	87
7.5	The Frame Start Trigger in Standard Mode	88
7.5.1	Frame Start Trigger Mode (Standard Mode)	89
7.5.1.1	Frame Start Trigger Mode = Off	89
7.5.1.2	Frame Start Trigger Mode = On	90
7.5.1.3	Setting the Frame Start Trigger Mode and Related Parameters	91
7.5.2	Using a Software Frame Start Trigger (Standard Mode)	92
7.5.2.1	Introduction	92
7.5.2.2	Setting the Parameters Related to Software Frame Start Triggering and Applying a Software Trigger Signal	93
7.5.3	Using a Hardware Frame Start Trigger (Standard Mode)	94
7.5.3.1	Introduction	94
7.5.3.2	Exposure Modes	95
7.5.3.3	Frame Start Trigger Delay	97
7.5.3.4	Setting the Parameters Related to Hardware Frame Start Triggering and Applying a Hardware Trigger Signal	97
7.6	The Acquisition Start Trigger in Legacy Mode	99
7.6.1	Acquisition Start Trigger Mode (Legacy Mode)	100
7.6.1.1	Acquisition Start Trigger Mode = Off	100
7.6.1.2	Acquisition Start Trigger Mode = On	101
7.6.1.3	Setting the Acquisition Start Trigger Mode and Related Parameters	102
7.6.2	Using a Software Acquisition Start Trigger (Legacy Mode)	103
7.6.2.1	Introduction	103
7.6.2.2	Setting the Parameters Related to Software Acquisition Start Triggering and Applying a Software Trigger Signal	104
7.6.3	Using a Hardware Acquisition Start Trigger (Legacy Mode)	105
7.6.3.1	Introduction	105
7.6.3.2	Exposure Modes	107
7.6.3.3	Acquisition Start Trigger Delay	109
7.6.3.4	Setting the Parameters Related to Hardware Acquisition Start Triggering and Applying a Hardware Trigger Signal	110
7.7	Exposure Time Parameters	112
7.7.1	Setting the Exposure Time Using "Raw" Settings	113
7.7.2	Setting the Exposure Time Using "Absolute" Settings	114
7.8	Use Case Diagrams	115
7.9	Overlapping Exposure and Sensor Readout (All Models Except scA750-60)	124
7.9.1	Guidelines for Overlapped Operation	125
7.10	Exposure Must Not Overlap Sensor Readout (scA750-60 Only)	126
7.11	Acquisition Monitoring Tools	127

7.11.1	Exposure Active Signal	127
7.11.2	Acquisition Status Indicator	128
7.11.3	Trigger Ready Signal (All Models Except scA750-60)	128
7.11.4	Trigger Ready Signal (scA750-60 Only)	131
7.11.5	Acquisition Trigger Wait Signal (Standard Mode Only)	133
7.12	Acquisition Timing Chart	136
7.13	Maximum Allowed Acquisition Frame Rate (All Models Except scA750-60)	139
7.13.1	Effect of the Packet Size Setting on the Maximum Allowed Frame Rate	142
7.14	Maximum Allowed Acquisition Frame Rate (scA750-60 Only)	144
7.14.1	Effect of the Packet Size Setting on the Maximum Allowed Frame Rate	147
8	Pixel Data Formats	149
8.1	Setting the Pixel Data Format	149
8.2	Pixel Data Formats for Mono Cameras	151
8.2.1	Mono 8 Format (Equivalent to DCAM Mono 8)	151
8.2.2	Mono 16 Format (Equivalent to DCAM Mono 16)	153
8.2.3	Mono 12 Packed Format	155
8.2.4	YUV 4:2:2 Packed Format (Equivalent to DCAM YUV 4:2:2)	157
8.2.5	YUV 4:2:2 (YUYV) Packed Format	157
8.3	Pixel Data Output Formats for Color Cameras	158
8.3.1	The Bayer Color Filter	158
8.3.1.1	Color Filter Alignment	159
8.3.2	Bayer BG 8 Format (Equivalent to DCAM Raw 8)	160
8.3.3	Bayer RG 8 Format (Equivalent to DCAM Raw 8)	162
8.3.4	Bayer BG 16 Format (Equivalent to DCAM Raw 16)	164
8.3.5	Bayer BG 12 Packed Format	166
8.3.6	YUV 4:2:2 Packed Format (Equivalent to DCAM YUV 4:2:2)	168
8.3.7	YUV 4:2:2 (YUYV) Packed Format	171
8.3.8	Mono 8 Format (Equivalent to DCAM Mono 8)	173
8.4	Pixel Transmission Sequence	175
9	Standard Features	177
9.1	Gain	177
9.2	Black Level	184
9.3	White Balance (on Color Models)	186
9.4	Digital Shift	187
9.4.1	Digital Shift with 12 Bit Pixel Formats	187
9.4.2	Digital Shift with 8 Bit Pixel Formats	189
9.4.3	Precautions When Using Digital Shift	191
9.4.4	Enabling and Setting Digital Shift	192
9.5	Integrated IR Cut Filter (on Color Models)	193
9.6	Area of Interest (AOI)	194
9.6.1	Changing AOI Parameters "On-the-Fly"	196

9.7	Binning (All Models Except scA750-60)	197
9.7.1	Considerations When Using Binning	198
9.8	Reverse X	200
9.9	Luminance Lookup Table	203
9.9.1	Lookup Table (All Models Except scA750-60)	203
9.9.2	Lookup Table (scA750-60 Only)	206
9.10	Gamma	209
9.11	Auto Functions	210
9.11.1	Common Characteristics	210
9.11.1.1	Modes of Operation	211
9.11.1.2	Auto Function AOI	212
9.11.1.3	Using an Auto Function	216
9.11.2	Gain Auto	217
9.11.3	Exposure Auto	219
9.11.4	Auto Function Profile	221
9.11.5	Balance White Auto	222
9.12	Disable Parameter Limits	224
9.13	Debouncer	225
9.14	Trigger Delay	227
9.15	Acquisition Status	229
9.16	Event Reporting	231
9.17	Test Images	233
9.18	Device Information Parameters	237
9.19	Configuration Sets	239
9.19.1	Saving User Sets	240
9.19.2	Selecting a Factory Setup as the Default Set	241
9.19.3	Loading a Saved Set or the Default Set into the Active Set	242
9.19.4	Selecting the Startup Set	243
10	Chunk Features	245
10.1	What are Chunk Features?	245
10.2	Making the "Chunk Mode" Active	246
10.3	Frame Counter	247
10.4	Time Stamp	250
10.5	Trigger Input Counter	252
10.6	Line Status All	255
10.7	CRC Checksum	257
11	Using Multiple Cameras on a Single Bus and Managing Bandwidth	259
11.1	Using Multiple Cameras Where All Devices are 1394b	259
11.2	Using Multiple Cameras Where 1394a and 1394b Devices are Mixed	261
11.2.1	Recommended Packet Size	264

12 Troubleshooting and Support	265
12.1 Tech Support Resources	265
12.2 Obtaining an RMA Number	265
12.3 Troubleshooting with the Camera LED	266
12.4 Troubleshooting Charts	267
12.4.1 My Camera Is Not Being Recognized	268
12.4.2 I Do Not Get an Image	270
12.4.3 I Can Not Get the Full Frame Rate	271
12.4.4 I Get Poor Image Quality	273
12.5 Before Contacting Basler Technical Support	275
Revision History	277
Index	285

1 Specifications, Requirements, and Precautions

This chapter lists the camera models covered by the manual. It provides the general specifications for those models and the basic requirements for using them.

This chapter also includes specific precautions that you should keep in mind when using the cameras. We strongly recommend that you read and follow the precautions.

1.1 Models

The current Basler IEEE 1394 camera models are listed in the top row of the specification tables on the next pages of this manual. The camera models are differentiated by their sensor size, their maximum frame rate at full resolution, and whether the camera's sensor is mono or color.

The scout camera models are available in the following housing variants:

- standard housing
- 90° head housing

The housing variants other than the standard housing are appended to the camera's name, e.g. scA640-70fm/fc 90° head.

Unless otherwise noted, the material in this manual applies to all of the camera models listed in the tables. Material that only applies to a particular camera model or to a subset of models, such as to color cameras or a specific housing variant only, will be so designated.

1.2 General Specifications

Specification	scA640-70fm/fc	scA640-74fm/fc	scA640-120fm/fc
Sensor Size (H x V pixels)	fm: 659 x 494 fc: 658 x 492	fm: 659 x 494 fc: 658 x 492	fm: 659 x 494 fc: 658 x 492
Sensor Type	Sony ICX424 AL/AQ	Sony ICX414 AL/AQ	Sony ICX618 ALA/AQA
	Progressive scan CCD		
Optical Size	1/3"	1/2"	1/4"
Pixel Size	7.4 μm x 7.4 μm	9.9 μm x 9.9 μm	5.6 μm x 5.6 μm
Max. Frame Rate (at full resolution)	71 fps	74 fps	120 fps
Mono/Color	All models available in mono or color		
Data Output Type	IEEE 1394b		
Pixel Data Formats	Mono Models: Mono 8 (= DCAM Mono 8) Mono 16 (= DCAM Mono 16) Mono 12 Packed YUV 4:2:2 Packed (= DCAM YUV 4:2:2) YUV 4:2:2 (YUYV) Packed Color Models Mono 8 (= DCAM Mono 8) Bayer BG 8 (= DCAM Raw 8) Bayer BG 16 (= DCAM Raw 16) Bayer BG 12 Packed YUV 4:2:2 Packed (= DCAM YUV 4:2:2) YUV 4:2:2 (YUYV) Packed		
ADC Bit Depth	12 bits		
Synchronization	Via external trigger signal or via software		
Exposure Control	Programmable via the camera API		
Camera Power Requirements	+ 8 to + 36 VDC supplied via the IEEE 1394 cable < 1% ripple		
	2.5 W @ 12 V		3.0 W @ 12 V
I/O Ports	2 opto-isolated input ports and 4 opto-isolated output ports		
Lens Adapter	C-mount (CS-mount optional)		

Specification	scA640-70fm/fc	scA640-74fm/fc	scA640-120fm/fc
Size (L x W x H) (standard housing)	73.7 mm x 44 mm x 29 mm (without lens adapter or connectors) 85.5 mm x 44 mm x 29 mm (with lens adapter and connectors)		
(90° head housing)	91.65 mm x 44 mm x 29 mm (without connectors and front module) 97 mm x 44 mm x 41.8 mm (with connectors and front module)		
Weight (standard housing)	160 g (typical)		
(90° head housing)	180 g (typical)		
Conformity	CE (*), FCC, GenICam, IP30 * The CE Conformity Declaration is available on the Basler website: www.baslerweb.com		
Software	Basler pylon 4 Camera Software Suite (version 4.0 or higher) Available for Windows in 32 and 64 bit versions and Linux (x86 32 bit, x86 64 bit, ARM softfloat, ARM hardfloat).		

Table 1: General Specifications

Specification	scA750-60fm/fc	scA780-54fm/fc
Sensor Size (H x V pixels)	fm: 752 x 480 fc: 750 x 480	fm: 782 x 582 fc: 780 x 580
Sensor Type	Aptina MT9V022 (formerly known as the Micron MT9V022)	Sony ICX415 AL/AQ
	Progressive Scan CMOS	Progressive scan CCD
Optical Size	1/3"	1/2"
Pixel Size	6.0 μm x 6.0 μm	8.3 μm x 8.3 μm
Max. Frame Rate (at full resolution)	64.9 fps	58 fps
Mono/Color	All models available in mono or color	
Data Output Type	IEEE 1394b	
Pixel Data Formats	Mono Models:	
	Mono 8 (= DCAM Mono 8) YUV 4:2:2 Packed (= DCAM YUV 4:2:2) YUV 4:2:2 (YUYV) Packed	Mono 8 (= DCAM Mono 8) Mono 16 (= DCAM Mono 16) Mono 12 Packed YUV 4:2:2 Packed (= DCAM YUV 4:2:2) YUV 4:2:2 (YUYV) Packed
	Color Models:	
	Mono 8 (= DCAM Mono 8) Bayer RG 8 (= DCAM Raw 8) YUV 4:2:2 Packed (= DCAM YUV 4:2:2) YUV 4:2:2 (YUYV) Packed	Mono 8 (= DCAM Mono 8) Bayer BG 8 (= DCAM Raw 8) Bayer BG 16 (= DCAM Raw 16) Bayer BG 12 Packed YUV 4:2:2 Packed (= DCAM YUV 4:2:2) YUV 4:2:2 (YUYV) Packed
ADC Bit Depth	10 bits	12 bits
Synchronization	Via external trigger signal or via software	
Exposure Control	Programmable via the camera API	
Camera Power Requirements	+ 8 to + 36 VDC supplied via the IEEE 1394 cable < 1% ripple	
	1.7 W @ 12 V	2.5 W @ 12 V
I/O Ports	2 opto-isolated input ports and 4 opto-isolated output ports	
Lens Adapter	C-mount (CS-mount optional)	

Specification	scA750-60fm/fc	scA780-54fm/fc
Size (L x W x H) (standard housing)	73.7 mm x 44 mm x 29 mm (without lens adapter or connectors) 85.5 mm x 44 mm x 29 mm (with lens adapter and connectors)	
(90° head housing)	91.65 mm x 44 mm x 29 mm (without connectors and front module) 97 mm x 44 mm x 41.8 mm (with connectors and front module)	
Weight (standard housing)	160 g (typical)	
(90° head housing)	180 g (typical)	
Conformity	CE (*), FCC, GenICam, IP30 * The CE Conformity Declaration is available on the Basler website: www.baslerweb.com	
Software	Basler pylon 4 Camera Software Suite (version 4.0 or higher) Available for Windows in 32 and 64 bit versions and Linux (x86 32 bit, x86 64 bit, ARM softfloat, ARM hardfloat).	

Table 2: General Specifications

Specification	scA1000-30fm/fc	scA1300-32fm/fc	scA1390-17fm/fc
Sensor Size (H x V pixels)	fm: 1034 x 779 fc: 1032 x 778	fm: 1296 x 966 fc: 1294 x 964	fm: 1392 x 1040 fc: 1390 x 1038
Sensor Type	Sony ICX204 AL/AK	Sony ICX445 ALA/AQA	Sony ICX267 AL/AK
	Progressive scan CCD		
Optical Size	1/3"	1/3"	1/2"
Pixel Size	4.65 μm x 4.65 μm	3.75 μm x 3.75 μm	4.65 μm x 4.65 μm
Max. Frame Rate (at full resolution)	30 fps	33 fps	17 fps
Mono/Color	All models available in mono or color		
Data Output Type	IEEE 1394b		
Pixel Data Formats	Mono Models: Mono 8 (= DCAM Mono 8) Mono 16 (= DCAM Mono 16) Mono 12 Packed YUV 4:2:2 Packed (= DCAM YUV 4:2:2) YUV 4:2:2 (YUYV) Packed Color Models: Mono 8 (= DCAM Mono 8) Bayer BG 8 (= DCAM Raw 8) Bayer BG 16 (= DCAM Raw 16) Bayer BG 12 Packed YUV 4:2:2 Packed (= DCAM YUV 4:2:2) YUV 4:2:2 (YUYV) Packed		
ADC Bit Depth	12 bits		
Synchronization	Via external trigger signal or via software		
Exposure Control	Programmable via the camera API		
Camera Power Requirements	+ 8 to + 36 VDC supplied via the IEEE 1394 cable < 1% ripple		
	2.5 W @ 12 V	3.0 W @ 12 V	2.75 W @ 12 V
I/O Ports	2 opto-isolated input ports and 4 opto-isolated output ports		
Lens Adapter	C-mount (CS-mount optional)		

Specification	scA1000-30fm/fc	scA1300-32fm/fc	scA1390-17fm/fc
Size (L x W x H) (standard housing)	73.7 mm x 44 mm x 29 mm (without lens adapter or connectors) 85.5 mm x 44 mm x 29 mm (with lens adapter and connectors)		
(90° head housing)	91.65 mm x 44 mm x 29 mm (without connectors and front module) 97 mm x 44 mm x 41.8 mm (with connectors and front module)	Not applicable	91.65 mm x 44 mm x 29 mm (without connectors and front module) 97 mm x 44 mm x 41.8 mm (with connectors and front module)
Weight (standard housing)	160 g (typical)	160 g (typical)	160 g (typical)
(90° head housing)	180 g (typical)	Not applicable	180 g (typical)
Conformity	CE (*), FCC, GenICam, IP30 * The CE Conformity Declaration is available on the Basler website: www.baslerweb.com		
Software	Basler pylon 4 Camera Software Suite (version 4.0 or higher) Available for Windows in 32 and 64 bit versions and Linux (x86 32 bit, x86 64 bit, ARM softfloat, ARM hardfloat).		

Table 3: General Specifications

Specification	scA1400-17fm/fc	scA1400-30fm/fc	scA1600-14fm/fc
Sensor Size (H x V pixels)	fm: 1392 x 1040 fc: 1390 x 1038	fm: 1392 x 1040 fc: 1390 x 1038	fm: 1626 x 1236 fc: 1624 x 1234
Sensor Type	Sony ICX285 AL/AQ	Sony ICX285 AL/AQ	Sony ICX274 AL/AQ
	Progressive scan CCD		
Optical Size	2/3"	2/3"	1/1.8"
Pixel Size	6.45 μm x 6.45 μm	6.45 μm x 6.45 μm	4.4 μm x 4.4 μm
Max. Frame Rate (at full resolution)	17 fps	30 fps	14 fps
Mono/Color	All models available in mono or color		
Data Output Type	IEEE 1394b		
Pixel Data Formats	Mono Models: Mono 8 (= DCAM Mono 8) Mono 16 (= DCAM Mono 16) Mono 12 Packed YUV 4:2:2 Packed (= DCAM YUV 4:2:2) YUV 4:2:2 (YUYV) Packed Color Models: Mono 8 (= DCAM Mono 8) Bayer BG 8 (= DCAM Raw 8) Bayer BG 16 (= DCAM Raw 16) Bayer BG 12 Packed YUV 4:2:2 Packed (= DCAM YUV 4:2:2) YUV 4:2:2 (YUYV) Packed		
ADC Bit Depth	12 bits		
Synchronization	Via external trigger signal or via software		
Exposure Control	Programmable via the camera API		
Camera Power Requirements	+ 8 to + 36 VDC supplied via the IEEE 1394 cable < 1% ripple		
	3.0 W @ 12 V	3.7 W @ 12 V	2.75 W @ 12 V
I/O Ports	2 opto-isolated input ports and 4 opto-isolated output ports		
Lens Adapter	C-mount (CS-mount optional)		

Specification	scA1400-17fm/fc	scA1400-30fm/fc	scA1600-14fm/fc
Size (L x W x H) (standard housing)	73.7 mm x 44 mm x 29 mm (without lens adapter or connectors) 85.5 mm x 44 mm x 29 mm (with lens adapter and connectors)		
(90° head housing)	91.65 mm x 44 mm x 29 mm (without connectors and front module) 97 mm x 44 mm x 41.8 mm (with connectors and front module)		
Weight (standard housing)	170 g (typical)	170 g (typical)	160 g (typical)
(90° head housing)	190 g (typical)	190 g (typical)	180 g (typical)
Conformity	CE (*), FCC, GenICam, IP30 * The CE Conformity Declaration is available on the Basler website: www.baslerweb.com		
Software	Basler pylon 4 Camera Software Suite (version 4.0 or higher) Available for Windows in 32 and 64 bit versions and Linux (x86 32 bit, x86 64 bit, ARM softfloat, ARM hardfloat).		

Table 4: General Specifications

Specification	scA1600-28fm/fc
Sensor Size (H x V pixels)	fm: 1626 x 1232 fc: 1624 x 1230
Sensor Type	Sony ICX274 AL/AQ Progressive scan CCD
Optical Size	1/1.8"
Pixel Size	4.4 μm x 4.4 μm
Max. Frame Rate (at full resolution)	28 fps
Mono/Color	All models available in mono or color
Data Output Type	IEEE 1394b
Pixel Data Formats	Mono Models: Mono 8 (= DCAM Mono 8) Mono 16 (= DCAM Mono 16) Mono 12 Packed YUV 4:2:2 Packed (= DCAM YUV 4:2:2) YUV 4:2:2 (YUYV) Packed Color Models: Mono 8 (= DCAM Mono 8) Bayer BG 8 (= DCAM Raw 8) Bayer BG 16 (= DCAM Raw 16) Bayer BG 12 Packed YUV 4:2:2 Packed (= DCAM YUV 4:2:2) YUV 4:2:2 (YUYV) Packed
ADC Bit Depth	12 bits
Synchronization	Via external trigger signal or via software
Exposure Control	Programmable via the camera API
Camera Power Requirements	+ 8 to + 36 VDC supplied via the IEEE 1394 cable < 1% ripple 4.2 W @ 12 V
I/O Ports	2 opto-isolated input ports and 4 opto-isolated output ports
Lens Adapter	C-mount (CS-mount optional)

Specification	scA1600-28fm/fc
Size (L x W x H) (standard housing) (90° head housing)	73.7 mm x 44 mm x 29 mm (without lens adapter or connectors) 85.5 mm x 44 mm x 29 mm (with lens adapter and connectors) 91.65 mm x 44 mm x 29 mm (without connectors and front module) 97 mm x 44 mm x 41.8 mm (with connectors and front module)
Weight (standard housing) (90° head housing)	170 g (typical) 180 g (typical)
Conformity	CE (*), FCC, GenICam, IP30 * The CE Conformity Declaration is available on the Basler website: www.baslerweb.com
Software	Basler pylon 4 Camera Software Suite (version 4.0 or higher) Available for Windows in 32 and 64 bit versions and Linux (x86 32 bit, x86 64 bit, ARM softfloat, ARM hardfloat).

Table 5: General Specifications

1.3 Spectral Response for Mono Cameras

The following graphs show the spectral response for each available monochrome camera model.



Note

The spectral response curves excludes lens characteristics and light source characteristics.

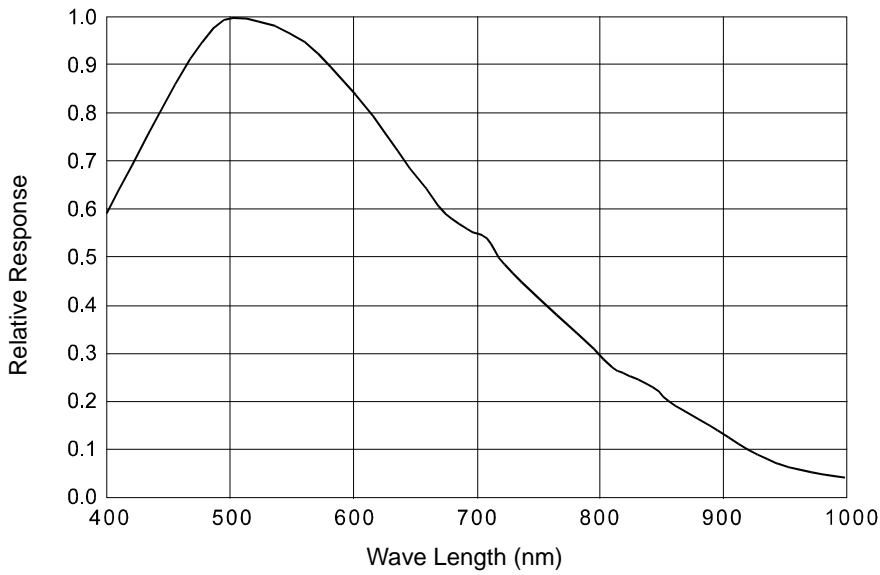


Fig. 1: scA640-70fm Spectral Response

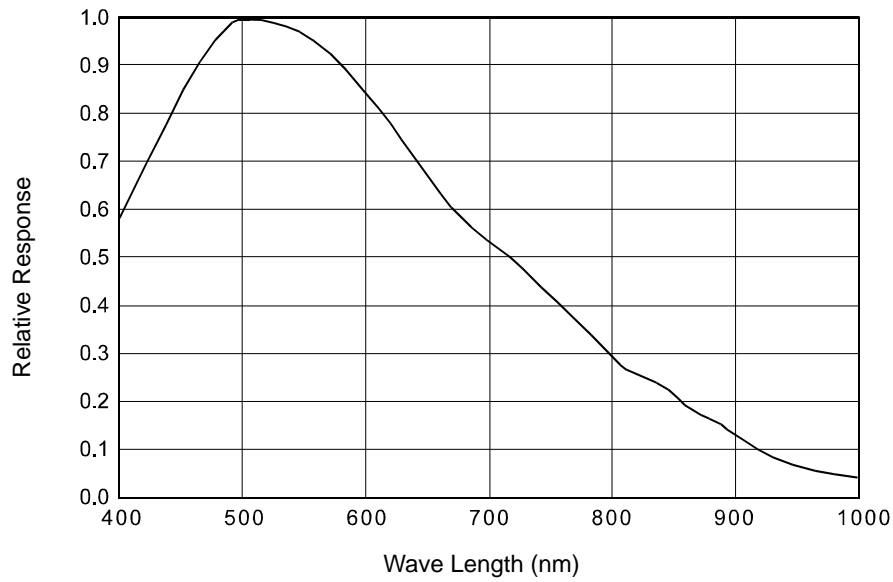


Fig. 2: scA640-74fm Spectral Response

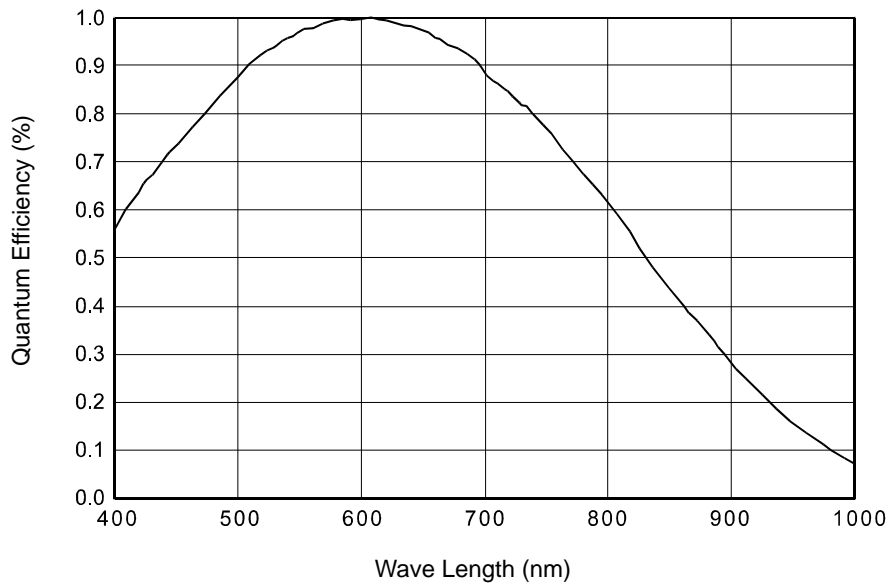


Fig. 3: scA640-120fm Spectral Response

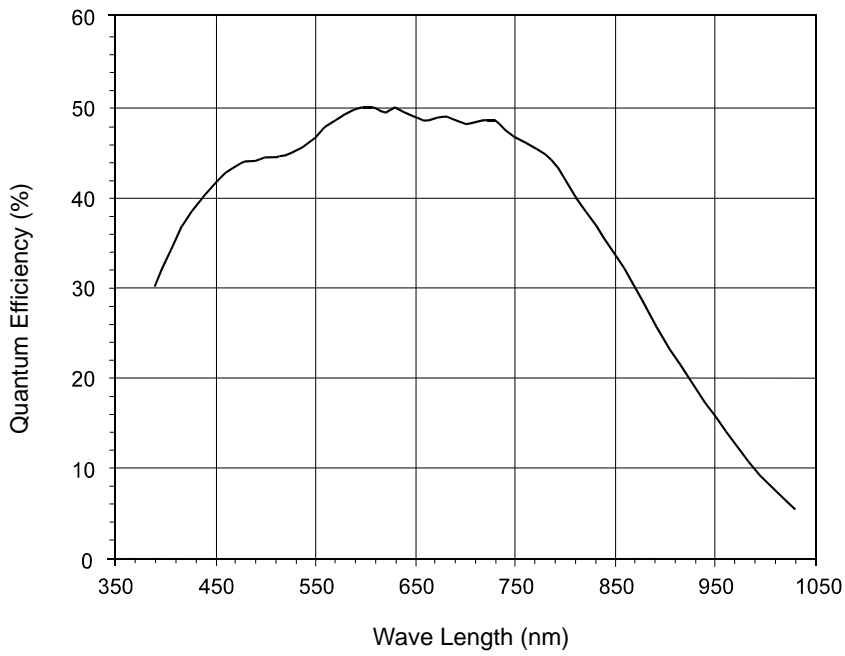


Fig. 4: scA750-60fm Spectral Response

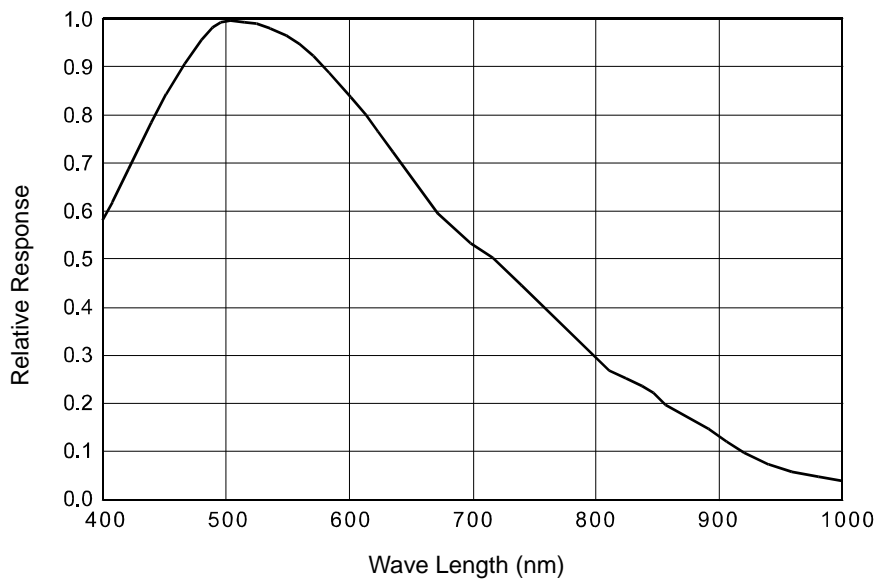


Fig. 5: scA780-54fm Spectral Response

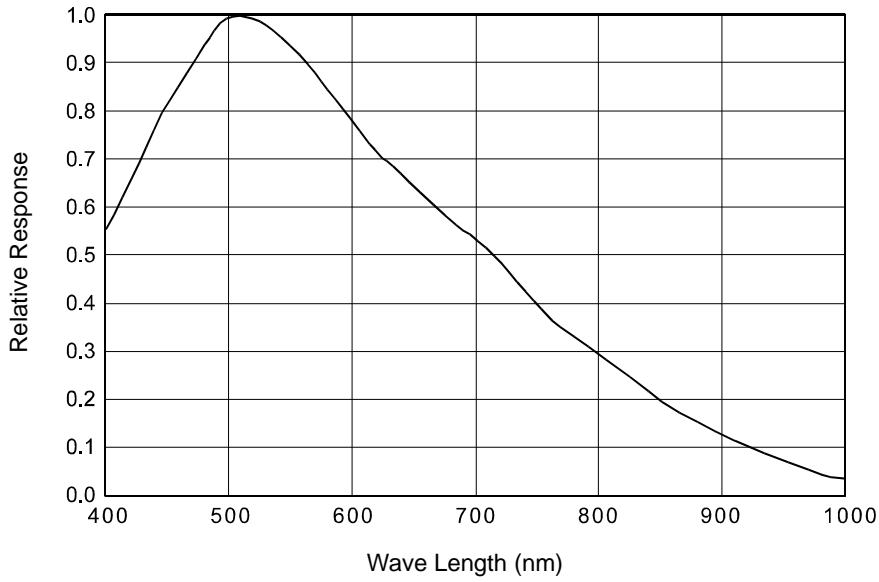


Fig. 6: scA1000-30fm Spectral Response

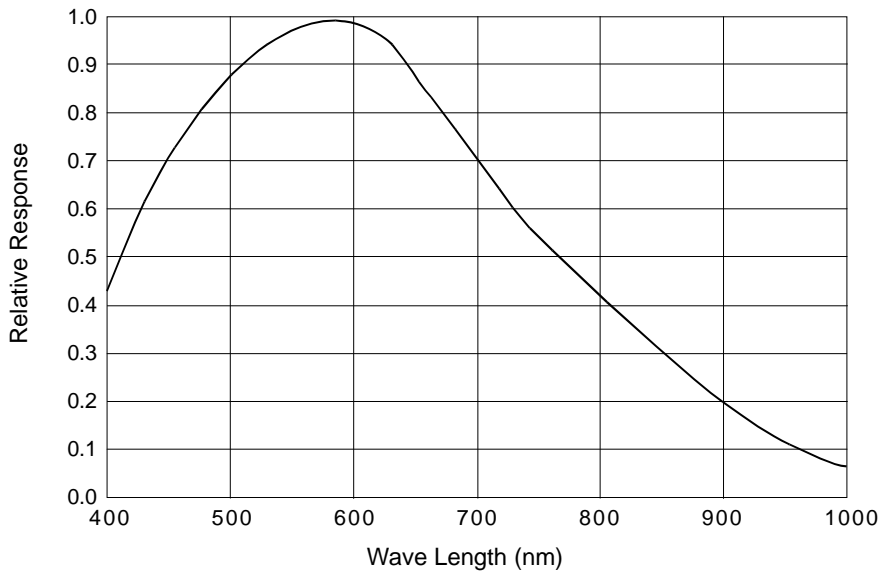


Fig. 7: scA1300-32fm Spectral Response

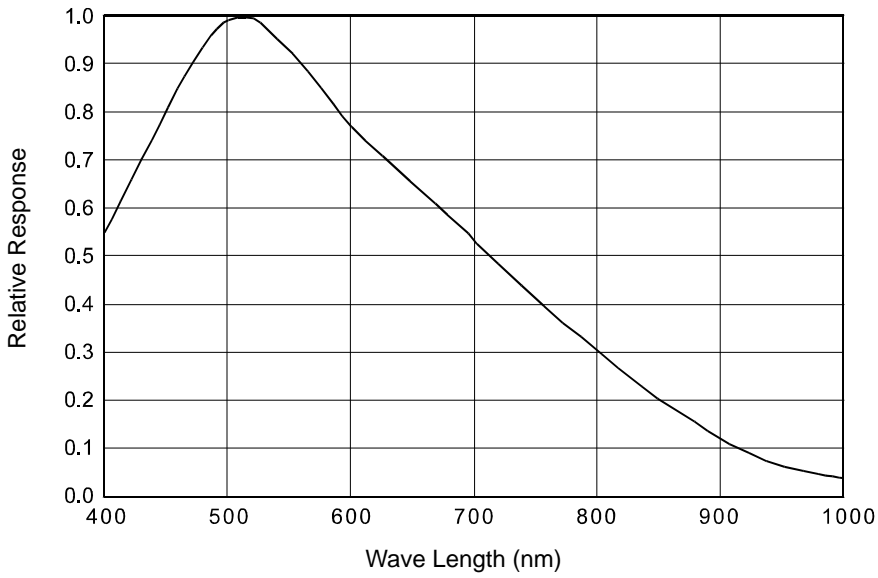


Fig. 8: scA1390-17fm Spectral Response

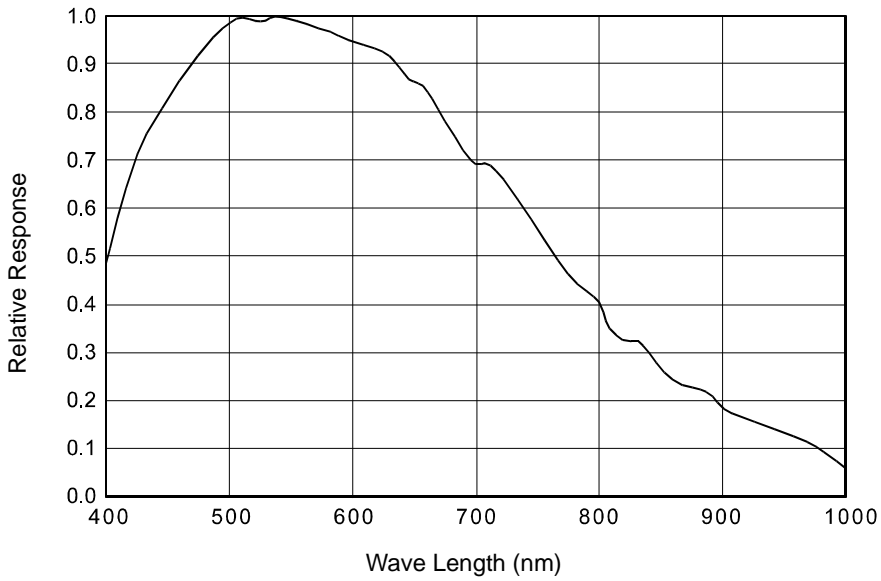


Fig. 9: scA1400-17fm and scA1400-30fm Spectral Response

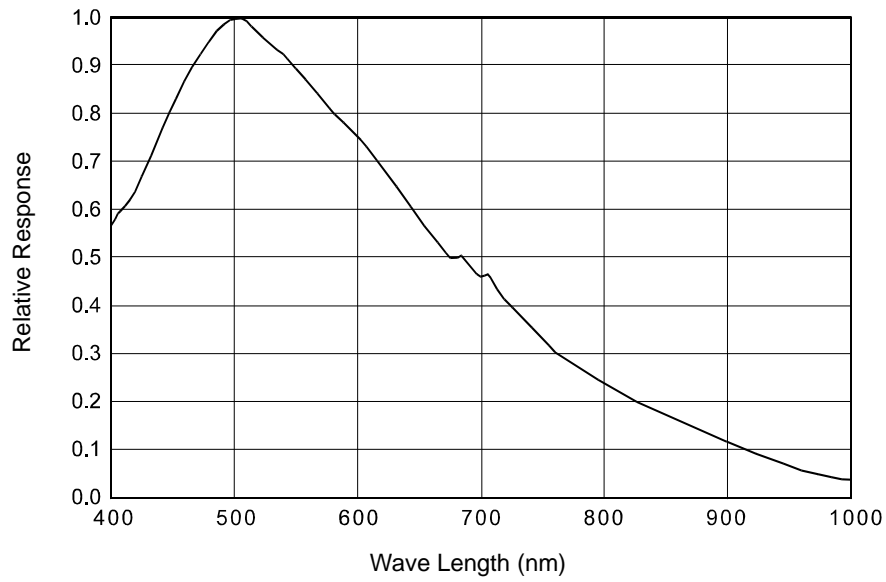


Fig. 10: scA1600-14fm and scA1600-28fm Spectral Response

1.4 Spectral Response for Color Cameras

The following graphs show the spectral response for each available color camera model.



Note

The spectral response curves exclude lens characteristics, light source characteristics, and IR cut filter characteristics.

To obtain best performance from color models of the camera, use of a dielectric IR cut filter is recommended.

For all models except scA1600-28fc:

The filter should transmit in a range from 400 nm to 610 nm, and it should not transmit from 700 nm to 1100 nm.

For scA1600-28fc only:

The filter should transmit in a range from 400 nm to 700 nm, and it should not transmit from 720 nm to 1100 nm.

A suitable IR cut filter is included in the standard C-mount lens adapter on color models of the camera. (An IR cut filter is not included in the optional CS-mount adapter.)

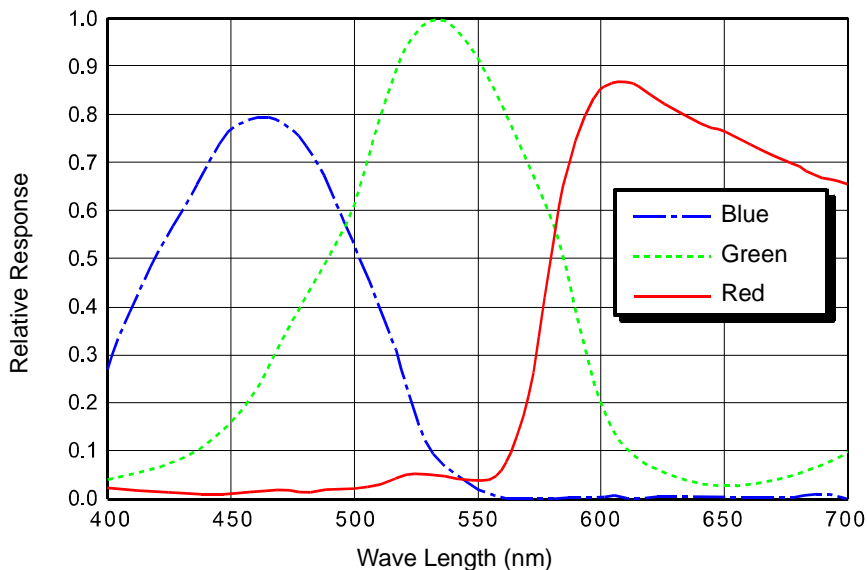


Fig. 11: scA640-70fc Spectral Response

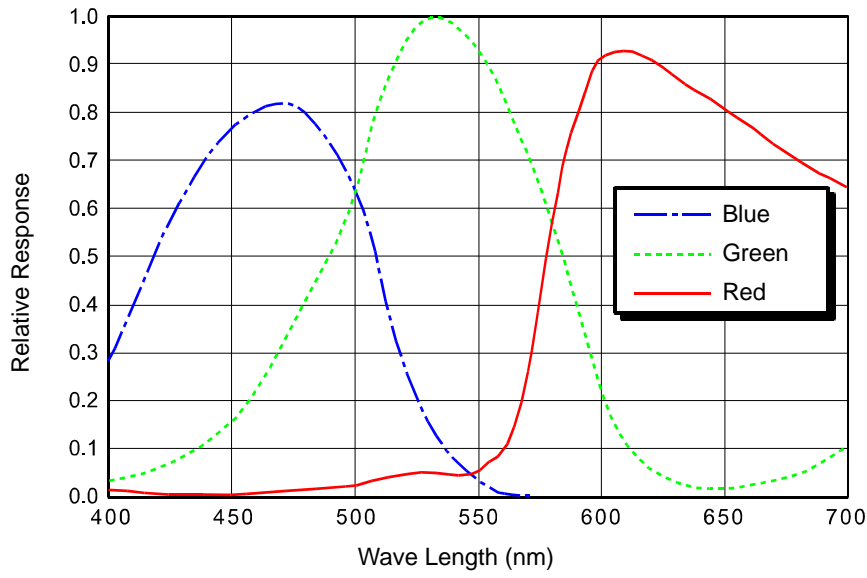


Fig. 12: scA640-74fc Spectral Response

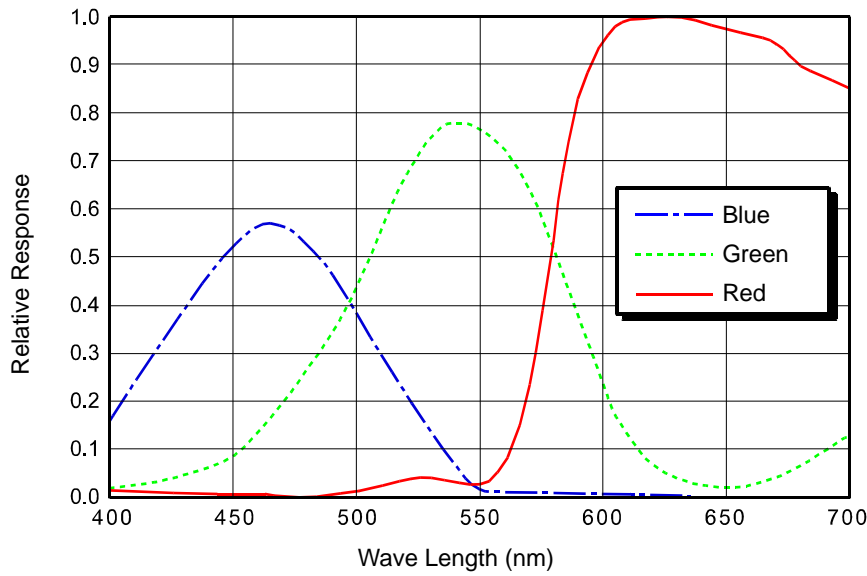


Fig. 13: scA640-120fc Spectral Response

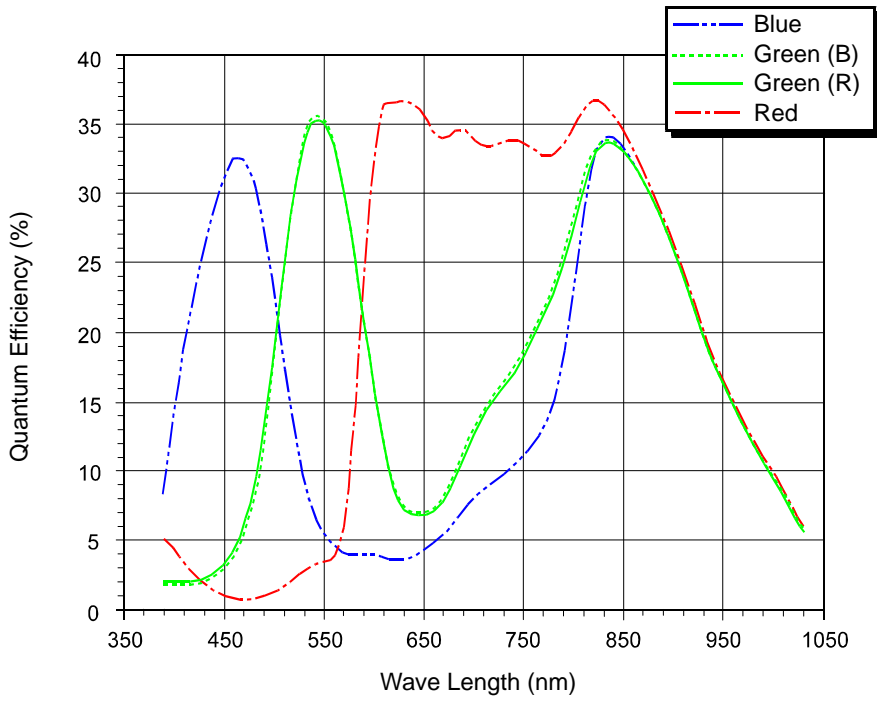


Fig. 14: scA750-60fc Spectral Response

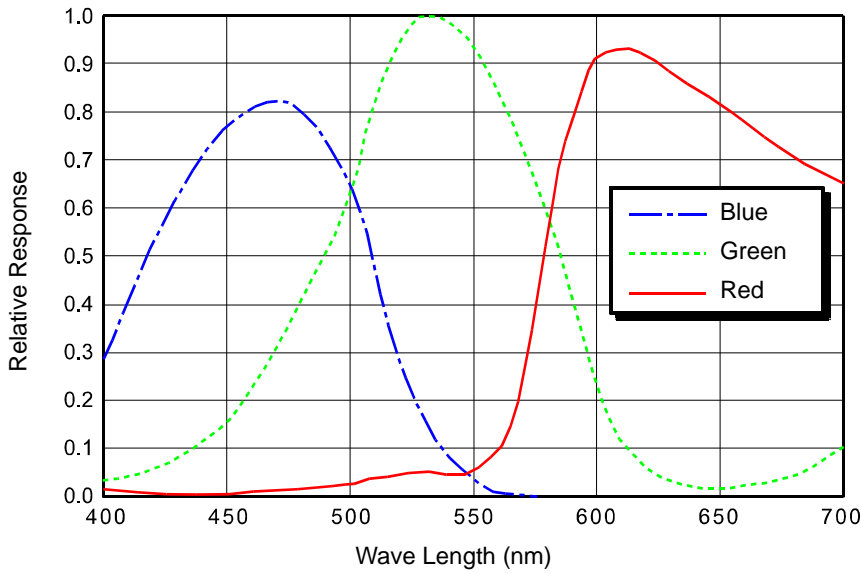


Fig. 15: scA780-54fc Spectral Response

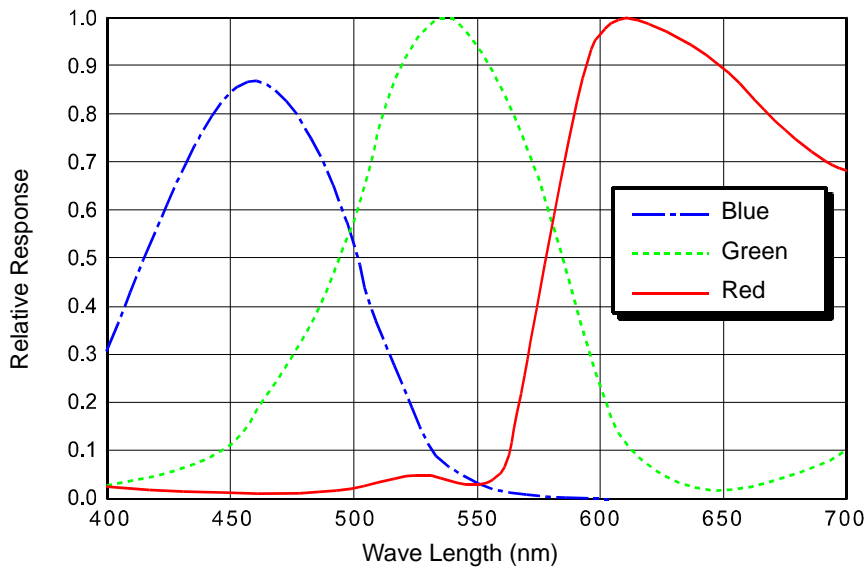


Fig. 16: scA1000-30fc Spectral Response

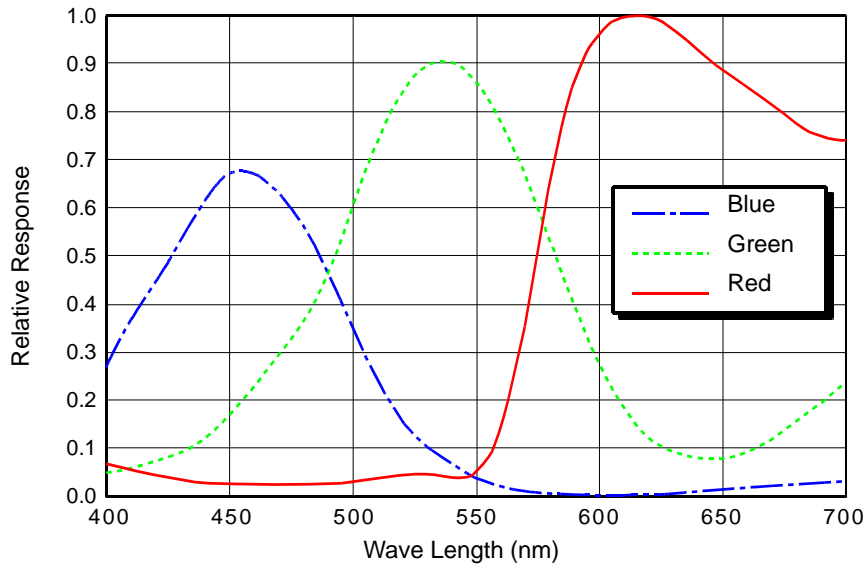


Fig. 17: scA1300-32fc Spectral Response

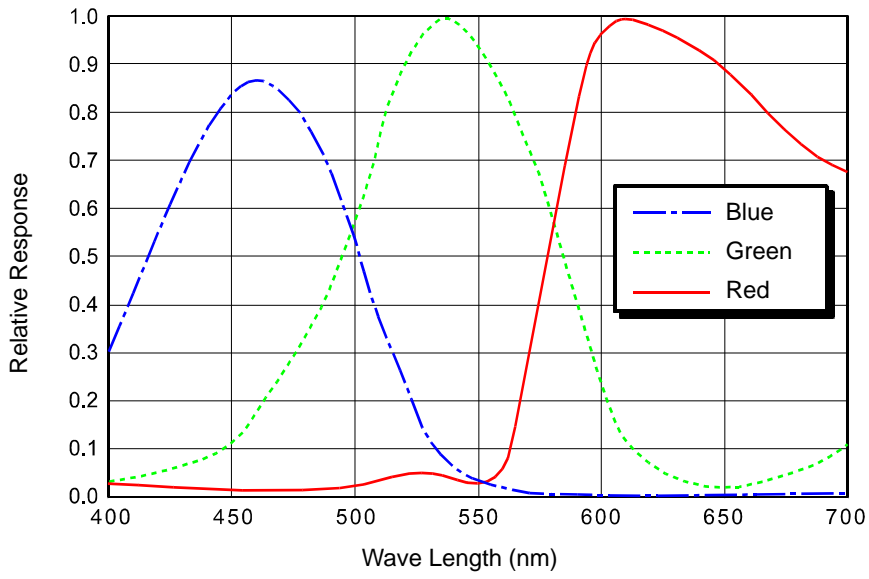


Fig. 18: scA1390-17fc Spectral Response

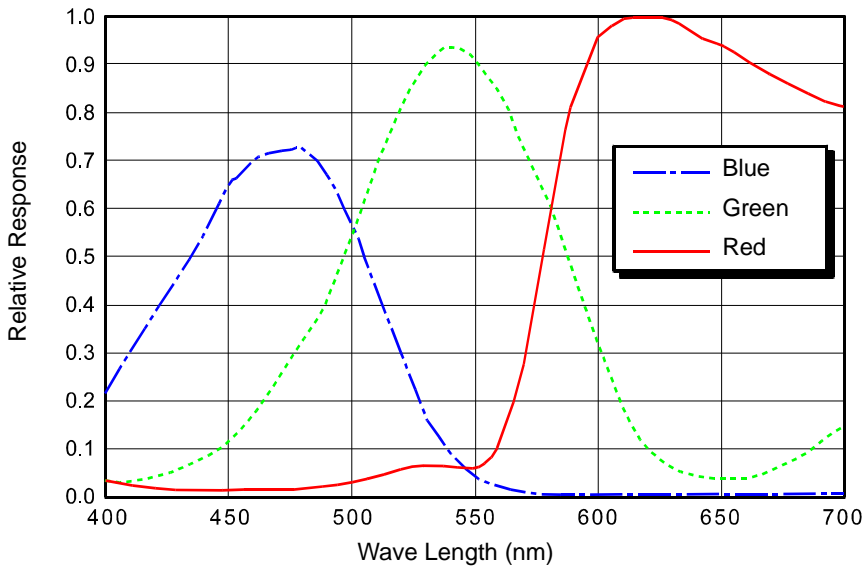


Fig. 19: scA1400-17fc and scA1400-30fc Spectral Response

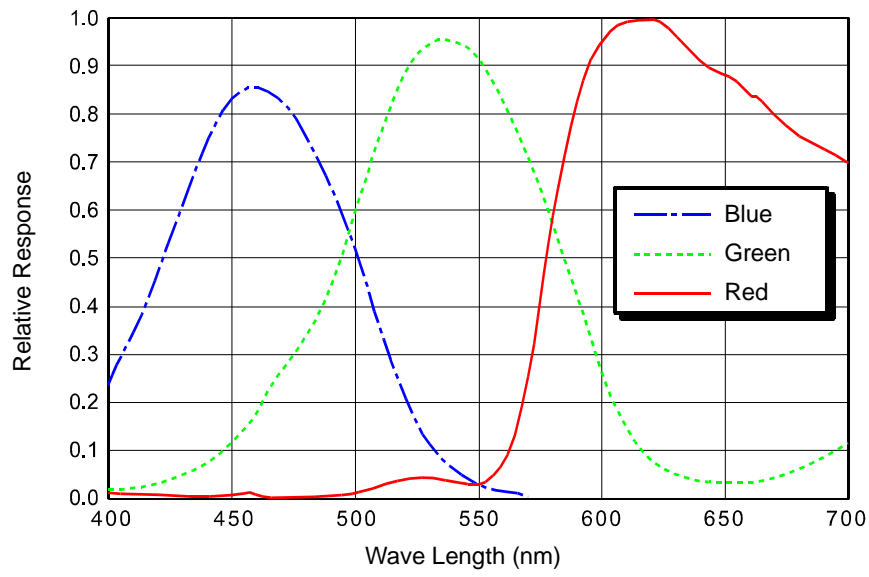


Fig. 20: scA1600-14fc and scA1600-28fc Spectral Response

1.5 Mechanical Specifications

1.5.1 Standard Housing

The camera housing conforms to protection class IP30 assuming that the lens mount is covered by a lens or by the cap that is shipped with the camera.

1.5.1.1 Camera Dimensions and Mounting Points

The cameras are manufactured with high precision. Planar, parallel, and angular sides ensure precise mounting with high repeatability.

The dimensions in millimeters for cameras equipped with a standard C-mount lens adapter are as shown in Figure 21. The dimensions for cameras equipped with an optional CS-mount lens adapter are shown in Figure 22 on [page 26](#).

Camera housings are equipped with four mounting holes on the top and four mounting holes on the bottom as shown in the drawings.

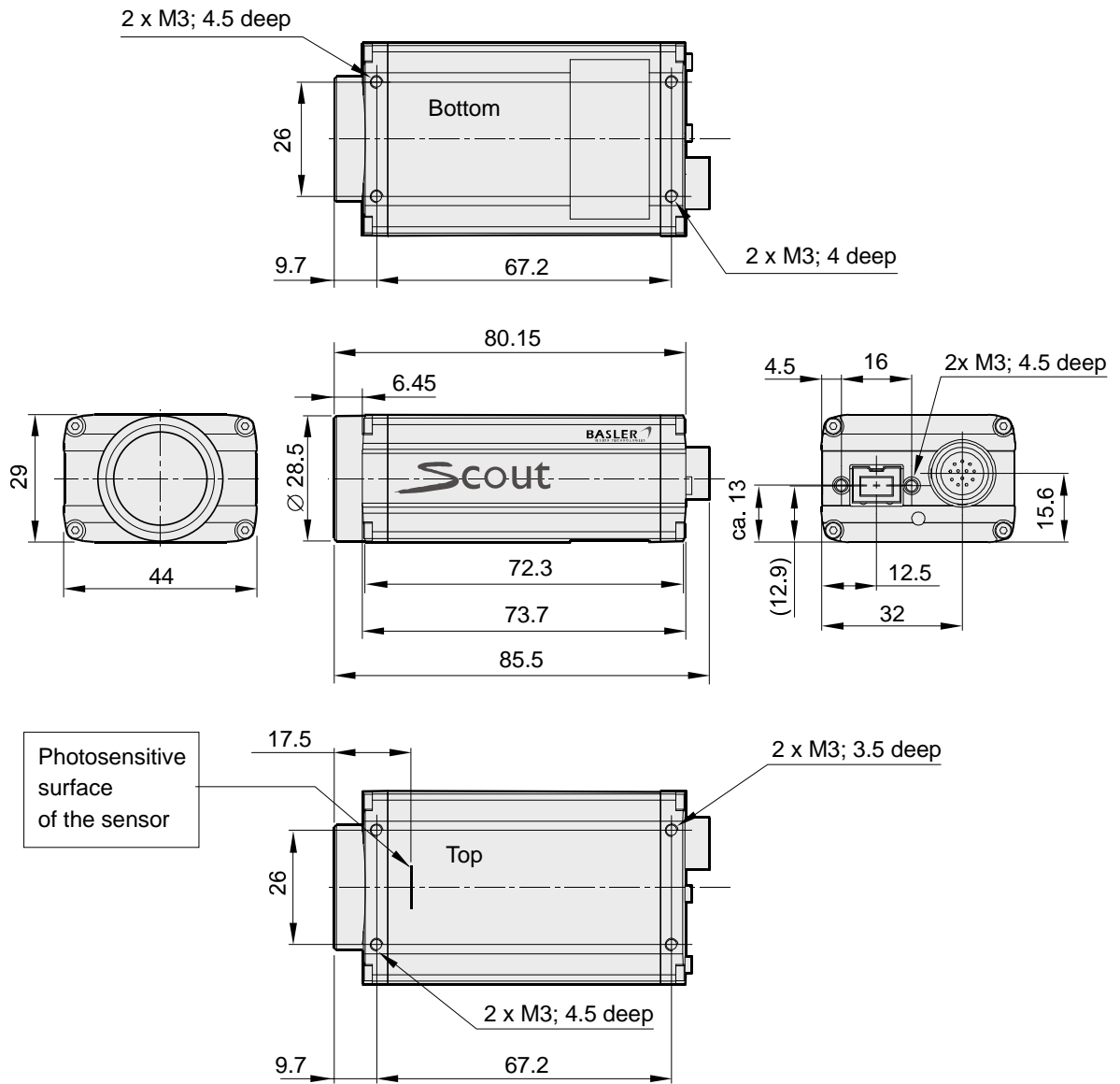


Fig. 21: Mechanical Dimensions (in mm) for Cameras with the Standard C-mount Lens Adapter

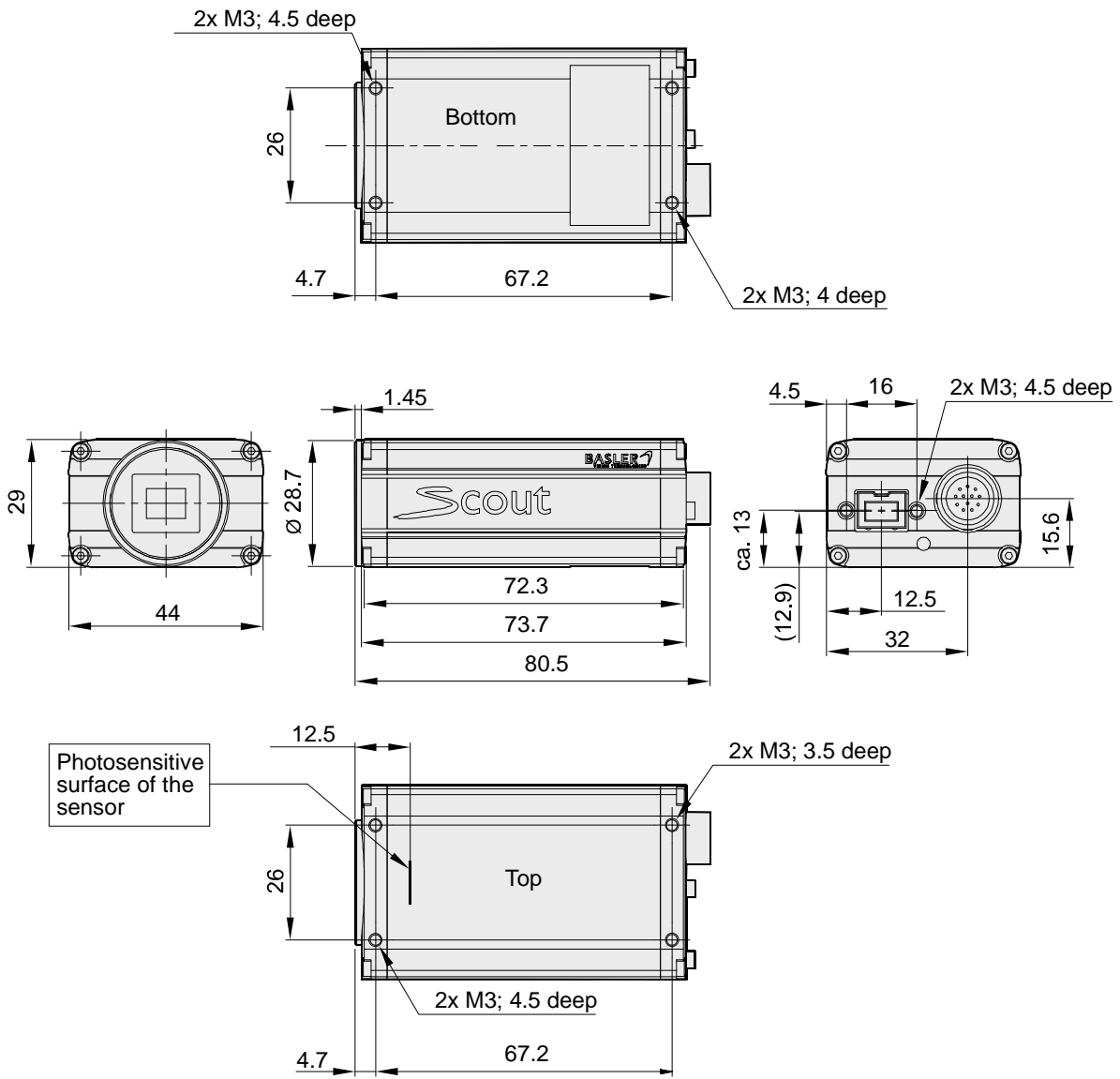
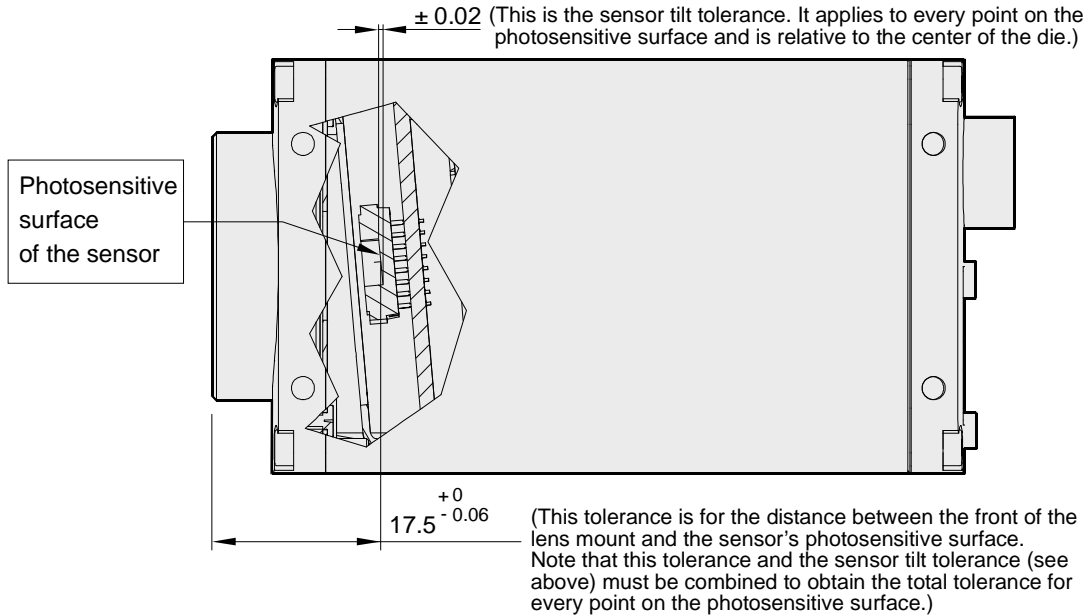
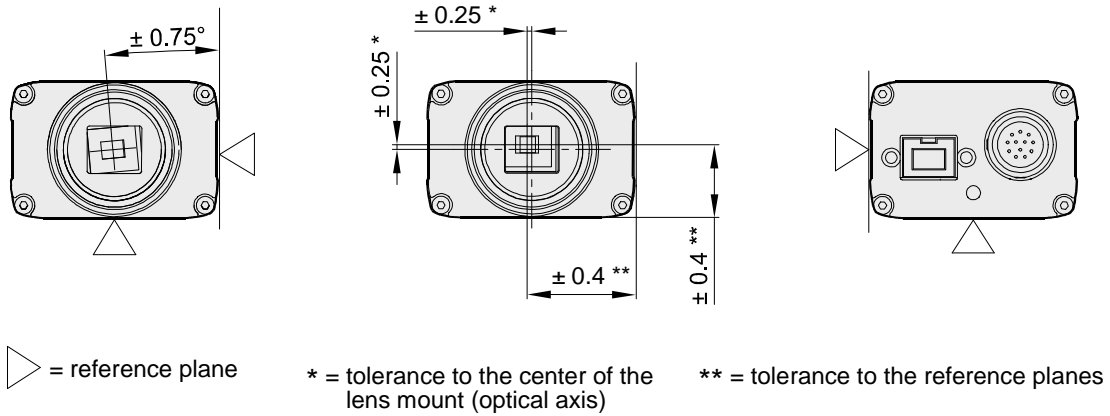


Fig. 22: Mechanical Dimensions (in mm) for Cameras with an Option CS-mount Lens Adapter

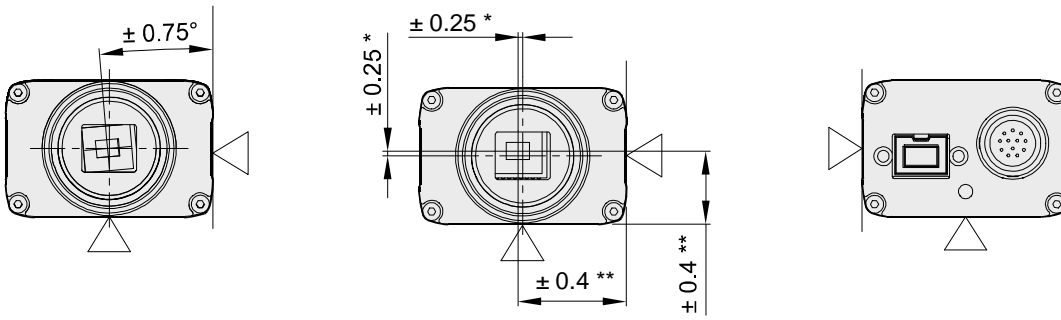
1.5.1.2 Sensor Positioning Accuracy

Figure 23: sensor positioning accuracy for cameras equipped with a standard C-mount lens adapter
 Figure 24: sensor positioning accuracy for cameras equipped with an optional CS-mount.



Maximum Sensor Tilt Angle (Degrees)					
Camera Model	Tilt X	Tilt Y	Camera model	Tilt X	Tilt Y
scA640-70fm/fc	0.47	0.63	scA1300-32fm/fc	0.47	0.63
scA640-74fm/fc	0.35	0.47	scA1390-17fm/fc	0.31	0.42
scA640-120fm/fc	0.62	0.83	scA1400-17fm/fc	0.25	0.34
scA750-60fm/fc	0.51	0.80	scA1400-30fm/fc	0.25	0.34
scA780-54fm/fc	0.35	0.47	scA1600-14fm/fc	0.34	0.52
scA1000-30fm/fc	0.46	0.63	scA1600-28fm/fc	0.34	0.52

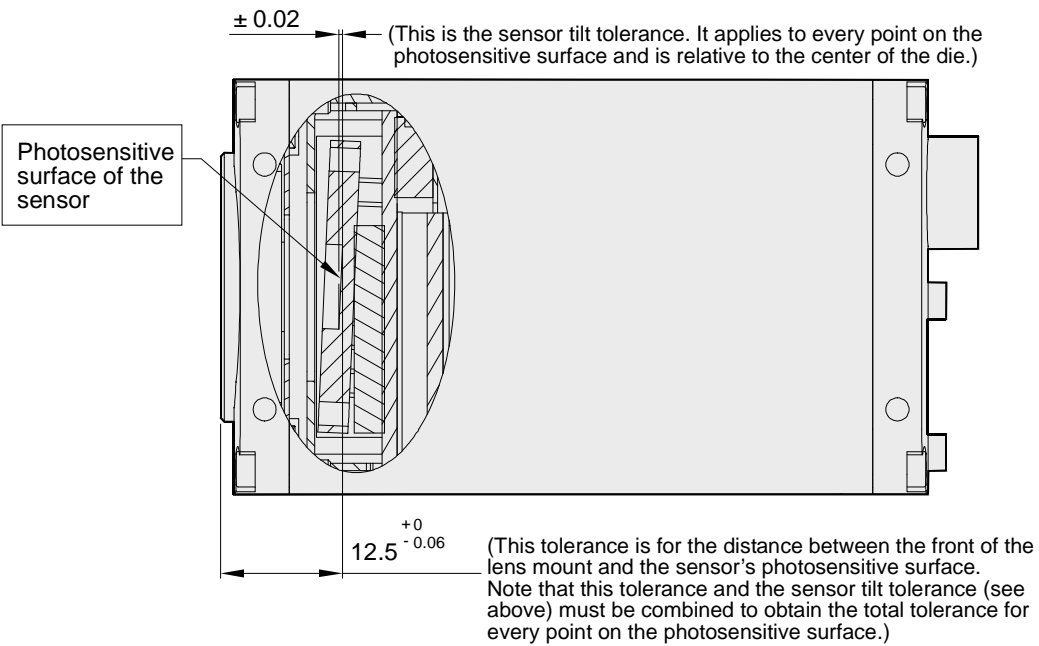
Fig. 23: Sensor Positioning Accuracy for Cameras with the Standard C-mount Lens Adapter (in mm unless otherwise noted)



▷ = reference plane

* = tolerance to the center of the lens mount (optical axis)

** = tolerance to the reference planes



Maximum Sensor Tilt Angle (Degrees)					
Camera Model	Tilt X	Tilt Y	Camera Model	Tilt X	Tilt Y
scA640-70fm/fc	0.47	0.63	scA1300-32fm/fc	0.47	0.63
scA640-74fm/fc	0.35	0.47	scA1390-17fm/fc	0.31	0.42
scA640-120fm/fc	0.62	0.83	scA1400-17fm/fc	0.25	0.34
scA750-60fm/fc	0.51	0.80	scA1400-30fm/fc	0.25	0.34
scA780-54fm/fc	0.35	0.47	scA1600-14fm/fc	0.34	0.52
scA1000-30fm/fc	0.46	0.63	scA1600-28fm/fc	0.34	0.52

Fig. 24: Sensor Positioning Accuracy for Cameras with an Optional CS-mount Lens Adapter (in mm unless otherwise noted)

1.5.2 90° Head Housing

The camera housing conforms to protection class IP30 assuming that the lens mount is covered by a lens or by the cap that is shipped with the camera.

1.5.2.1 Camera Dimensions and Mounting Points

In scout cameras with the 90° head housing the camera's direction of view is at right angle to the direction of view of standard scout cameras.

The cameras are manufactured with high precision. Planar, parallel, and angular sides ensure precise mounting with high repeatability.

The dimensions in millimeters for cameras equipped with a standard C-mount lens adapter are as shown in Figure 25.

Camera housings are equipped with four mounting holes on the top and four mounting holes on the bottom as shown in the drawings. In addition, there are four mounting holes in the front module (4x M3; 4.5 mm deep).



For optimum accuracy in the positioning of the camera's optical axis, we recommend using the front module reference plane (see the figure in the Sensor Positioning Accuracy section) as mounting surface.

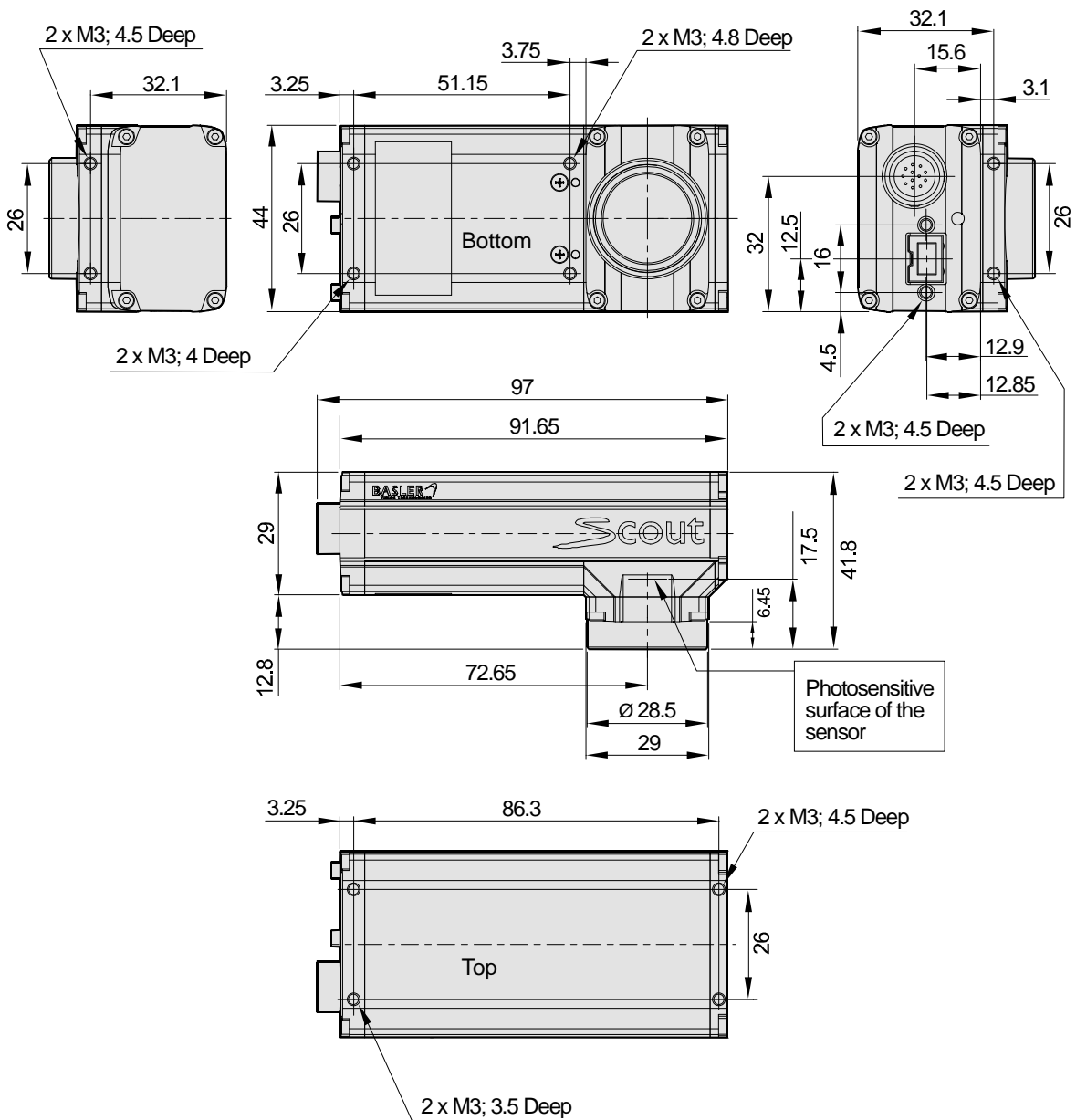
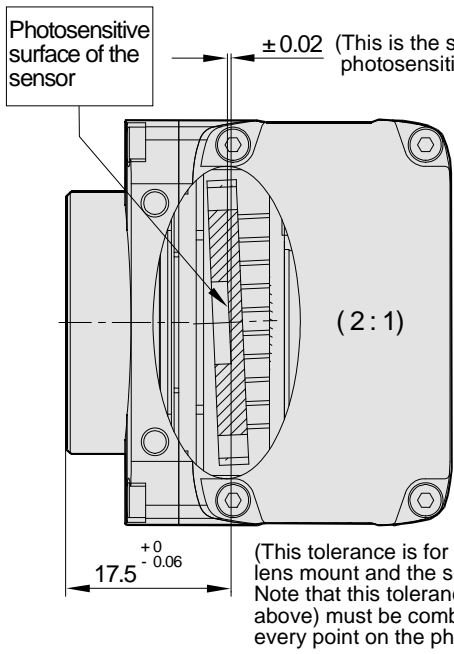
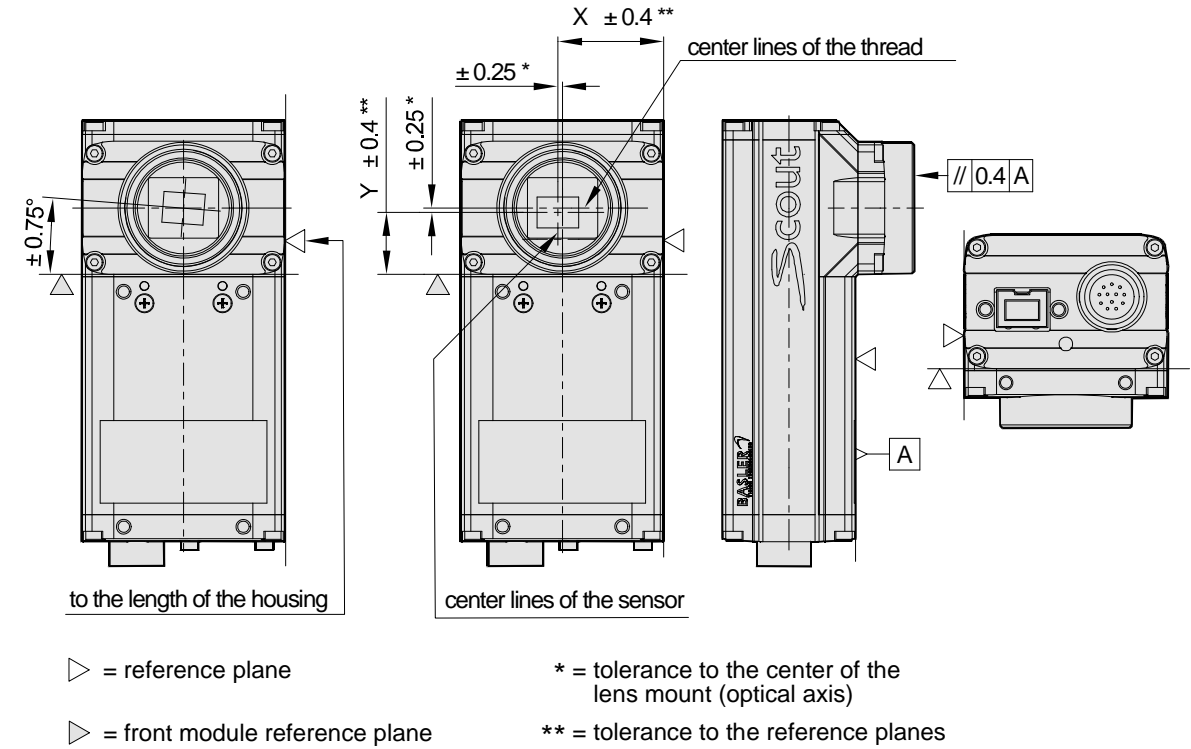


Fig. 25: Mechanical Dimensions (in mm) for Cameras (90° Head) with the Standard C-mount Lens Adapter

1.5.2.2 Sensor Positioning Accuracy

The sensor positioning accuracy for cameras equipped with a standard C-mount lens adapter is as shown in Figure 26.



Maximum Sensor Tilt Angle (Degrees)					
Camera Model	Tilt X	Tilt Y	Camera Model	Tilt X	Tilt Y
scA640-70fm/fc	0.47	0.63	scA1390-17fm/fc	0.31	0.42
scA640-74fm/fc	0.35	0.47	scA1400-17fm/fc	0.25	0.34
scA640-120fm/fc	0.62	0.83	scA1400-30fm/fc	0.25	0.34
scA750-60fm/fc	0.51	0.80	scA1600-14fm/fc	0.34	0.52
scA780-54fm/fc	0.35	0.47	scA1600-28fm/fc	0.34	0.52
scA1000-30fm/fc	0.46	0.63			

Fig. 26: Sensor Positioning Accuracy for Cameras (90° Head) with the Standard C-mount Lens Adapter (in mm unless otherwise noted)

1.5.3 Maximum Thread Length on Color Cameras

The C-mount lens adapter on color models of the camera is normally equipped with an internal IR cut filter. As shown below, the length of the threads on any lens you use with a color camera must be less than 8.0 mm. If a lens with a longer thread length is used, the IR cut filter will be damaged or destroyed and the camera will no longer operate.

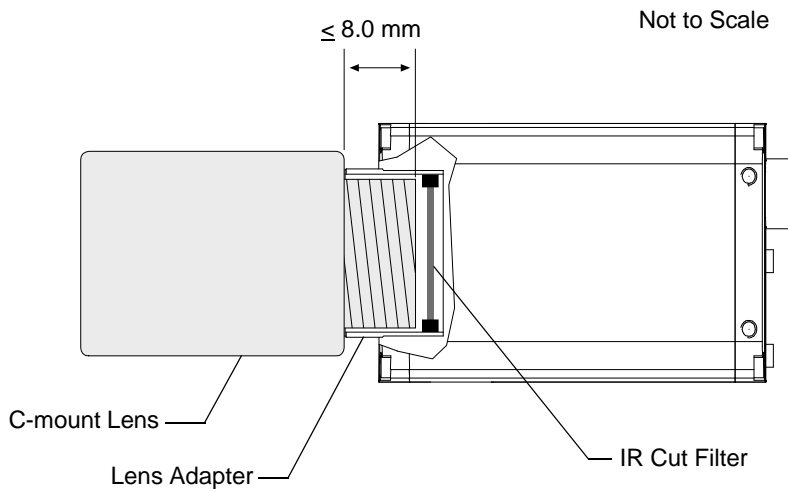


Fig. 27: Maximum Lens Thread Length on Color Cameras



An internal IR cut filter is not included on color cameras equipped with the optional CS-mount adapter.

C-mount color cameras that do not include an internal IR cut filter are available on request.

Monochrome cameras are not normally equipped with an internal IR cut filter, however, they can be equipped with an internal filter on request.

1.5.4 Mechanical Stress Test Results

Scout cameras were submitted to an independent mechanical testing laboratory and subjected to the stress tests listed below. The mechanical stress tests were performed on selected camera models with standard housings. After mechanical testing, the cameras exhibited no detectable physical damage and produced normal images during standard operational testing.

Test	Standard	Conditions
Vibration (sinusoidal, each axis)	DIN EN 60068-2-6	10-58 Hz / 1.5 mm_58-500 Hz / 20 g_1 Octave/Minute 10 repetitions
Shock (each axis)	DIN EN 60068-2-27	20 g / 11 ms / 10 shocks positive 20 g / 11 ms / 10 shocks negative
Bump (each axis)	DIN EN 60068-2-29	20 g / 11 ms / 100 shocks positive 20 g / 11 ms / 100 shocks negative
Vibration (broad-band random, digital control, each axis)	DIN EN 60068-2-64	15-500 Hz / 0.05 PSD (ESS standard profile) / 00:30 h

Table 6: Mechanical Stress Tests

The mechanical stress tests were performed with a dummy lens connected to a C-mount. The dummy lens was 35 mm long and had a mass of 66 g. Using a heavier or longer lens requires an additional support for the lens.

1.6 Software Licensing Information

1.6.1 LWIP TCP/IP Licensing

The software in the camera includes the LWIP TCP/IP implementation. The copyright information for this implementation is as follows:

Copyright (c) 2001, 2002 Swedish Institute of Computer Science. All rights reserved.

Redistribution and use in source and binary forms, with or without modification, are permitted provided that the following conditions are met:

1. Redistributions of source code must retain the above copyright notice, this list of conditions and the following disclaimer.
2. Redistributions in binary form must reproduce the above copyright notice, this list of conditions and the following disclaimer in the documentation and/or other materials provided with the distribution.
3. The name of the author may not be used to endorse or promote products derived from this software without specific prior written permission.

THIS SOFTWARE IS PROVIDED BY THE AUTHOR ``AS IS" AND ANY EXPRESS OR IMPLIED WARRANTIES, INCLUDING, BUT NOT LIMITED TO, THE IMPLIED WARRANTIES OF MERCHANTABILITY AND FITNESS FOR A PARTICULAR PURPOSE ARE DISCLAIMED.

IN NO EVENT SHALL THE AUTHOR BE LIABLE FOR ANY DIRECT, INDIRECT, INCIDENTAL, SPECIAL, EXEMPLARY, OR CONSEQUENTIAL DAMAGES (INCLUDING, BUT NOT LIMITED TO, PROCUREMENT OF SUBSTITUTE GOODS OR SERVICES; LOSS OF USE, DATA, OR PROFITS; OR BUSINESS INTERRUPTION) HOWEVER CAUSED AND ON ANY THEORY OF LIABILITY, WHETHER IN CONTRACT, STRICT LIABILITY, OR TORT (INCLUDING NEGLIGENCE OR OTHERWISE) ARISING IN ANY WAY OUT OF THE USE OF THIS SOFTWARE, EVEN IF ADVISED OF THE POSSIBILITY OF SUCH DAMAGE.

1.6.2 LZ4 Licensing

The software in the camera includes the LZ4 implementation. The copyright information for this implementation is as follows:

LZ4 - Fast LZ compression algorithm

Copyright (C) 2011-2013, Yann Collet.

BSD 2-Clause License (<http://www.opensource.org/licenses/bsd-license.php>)

Redistribution and use in source and binary forms, with or without modification, are permitted provided that the following conditions are met:

1. Redistributions of source code must retain the above copyright notice, this list of conditions and the following disclaimer.
2. Redistributions in binary form must reproduce the above copyright notice, this list of conditions and the following disclaimer in the documentation and/or other materials provided with the distribution.

THIS SOFTWARE IS PROVIDED BY THE COPYRIGHT HOLDERS AND CONTRIBUTORS "AS IS" AND ANY EXPRESS OR IMPLIED WARRANTIES, INCLUDING, BUT NOT LIMITED TO, THE IMPLIED WARRANTIES OF MERCHANTABILITY AND FITNESS FOR A PARTICULAR PURPOSE ARE DISCLAIMED. IN NO EVENT SHALL THE COPYRIGHT OWNER OR CONTRIBUTORS BE LIABLE FOR ANY DIRECT, INDIRECT, INCIDENTAL, SPECIAL, EXEMPLARY, OR CONSEQUENTIAL DAMAGES (INCLUDING, BUT NOT LIMITED TO, PROCUREMENT OF SUBSTITUTE GOODS OR SERVICES; LOSS OF USE, DATA, OR PROFITS; OR BUSINESS INTERRUPTION) HOWEVER CAUSED AND ON ANY THEORY OF LIABILITY, WHETHER IN CONTRACT, STRICT LIABILITY, OR TORT (INCLUDING NEGLIGENCE OR OTHERWISE) ARISING IN ANY WAY OUT OF THE USE OF THIS SOFTWARE, EVEN IF ADVISED OF THE POSSIBILITY OF SUCH DAMAGE.

1.7 Avoiding EMI and ESD Problems

The cameras are frequently installed in industrial environments. These environments often include devices that generate electromagnetic interference (EMI) and they are prone to electrostatic discharge (ESD). Excessive EMI and ESD can cause problems with your camera such as false triggering or can cause the camera to suddenly stop capturing images. EMI and ESD can also have a negative impact on the quality of the image data transmitted by the camera.

To avoid problems with EMI and ESD, you should follow these general guidelines:

- Always use high quality shielded cables. The use of high quality cables is one of the best defenses against EMI and ESD.
- Try to use camera cables that are the correct length and try to run the camera cables and power cables parallel to each other. Avoid coiling camera cables. If the cables are too long, use a meandering path rather than coiling the cables.
- Avoid placing camera cables parallel to wires carrying high-current, switching voltages such as wires supplying stepper motors or electrical devices that employ switching technology. **Placing camera cables near to these types of devices may cause problems with the camera.**
- Attempt to connect all grounds to a single point, e.g., use a single power outlet for the entire system and connect all grounds to the single outlet. This will help to avoid large ground loops. (Large ground loops can be a primary cause of EMI problems.)
- Use a line filter on the main power supply.
- Install the camera and camera cables as far as possible from devices generating sparks. If necessary, use additional shielding.
- Decrease the risk of electrostatic discharge by taking the following measures:
 - Use conductive materials at the point of installation (e.g., floor, workplace).
 - Use suitable clothing (cotton) and shoes.
 - Control the humidity in your environment. Low humidity can cause ESD problems.



The Basler application note called *Avoiding EMI and ESD in Basler Camera Installations* provides much more detail about avoiding EMI and ESD. This application note can be obtained from the Downloads section of our website: www.baslerweb.com

1.8 Environmental Requirements

1.8.1 Temperature and Humidity

Housing temperature during operation:	0 °C ... +50 °C (+32 °F ... +122 °F)
Humidity during operation:	20 % ... 80 %, relative, non-condensing
Storage temperature:	-20 °C ... +80 °C (-4 °F ... +176 °F)
Storage humidity:	20 % ... 80 %, relative, non-condensing

1.8.2 Ventilation

Allow sufficient air circulation around the camera to prevent internal heat build-up in your system and to keep the camera's housing temperature below 50 °C. Additional cooling devices such as fans or heat sinks are not normally required, but should be provided if necessary.

1.9 Precautions



CAUTION

Avoid Dust on the Sensor

- The camera is shipped with a cap on the lens mount. To avoid collecting dust on the camera's IR cut filter (color cameras) or sensor (mono cameras), make sure that you always put the cap in place when there is no lens mounted on the camera.
- Every time you remove or replace the plastic cap, a lens, or a lens adapter, make sure that the camera is pointing down.
- Never apply compressed air to the camera. This can easily contaminate optical components, particularly the sensor.

To further enhance dust protection, the internal space in the camera that contains the imaging sensor is sealed off from the camera's other internal spaces.



CAUTION

Lens Thread Length is Limited

Color models of the camera with a C-mount lens adapter are equipped with an IR cut filter mounted inside of the adapter. The location of this filter limits the length of the threads on any lens you use with the camera. If a lens with a very long thread length is used, the IR cut filter will be damaged or destroyed and the camera will no longer operate.

For more specific information about the lens thread length, see Section 1.5.3 on [page 32](#).



CAUTION

Incorrect Power Can Cause Damage

The polarity of the power on the camera's IEEE 1394b socket must be as shown in the pin assignment table. **Do not** reverse the power polarity. Reversing the polarity will damage the camera.

If the voltage to the camera is greater than +36 VDC, damage to the camera can result. If the voltage is less than +8 VDC, the camera may operate erratically.



An Incorrect Plug Can Damage the 12-pin Connector

The plug on the cable that you attach to the camera's 12-pin connector must have 12 pins. Use of a smaller plug, such as one with 10 pins or 8 pins, can damage the pins in the camera's 12-pin connector.

**CAUTION****Inappropriate Code May Cause Unexpected Camera Behavior**

The code snippets provided in this manual are included as sample code only. Inappropriate code may cause your camera to function differently than expected and may compromise your application. To ensure that the snippets will work properly in your application, you must adjust them to meet your specific needs and must test them thoroughly prior to use.

The code snippets in this manual are written in C++. Other programming languages can also be used to write code for use with Basler pylon. When writing code, you should use a programming language that is both compatible with pylon and appropriate for your application.

For more information about the programming languages that can be used with Basler pylon, see the documentation included with the pylon Camera Software Suite.

Warranty Precautions

To ensure that your warranty remains in force:

Do not remove the camera's serial number label

If the label is removed and the serial number can't be read from the camera's registers, the warranty is void.

Do not open the camera housing

Do not open the housing. Touching internal components may damage them.

Keep foreign matter outside of the camera

Be careful not to allow liquid, flammable, or metallic material inside of the camera housing. If operated with any foreign matter inside, the camera may fail or cause a fire.

Avoid electromagnetic fields

Do not operate the camera in the vicinity of strong electromagnetic fields. Avoid electrostatic charging.

Transport properly

Transport the camera in its original packaging only. Do not discard the packaging.

Clean properly

Avoid cleaning the surface of the camera's sensor if possible. If you must clean it, use a soft, lint free cloth dampened with a small quantity of high quality window cleaner. Because electrostatic discharge can damage the sensor, you must use a cloth that will not generate static during cleaning (cotton is a good choice).

To clean the surface of the camera housing, use a soft, dry cloth. To remove severe stains, use a soft cloth dampened with a small quantity of neutral detergent, then wipe dry.

Do not use solvents or thinners to clean the housing; they can damage the surface finish.

Read the manual

Read the manual carefully before using the camera!

2 Software and Hardware Installation

The information you will need to install and operate the camera is included in the *Installation and Setup Guide for Cameras Used with Basler pylon for Windows* (AW000611).

You can download the guide from the Basler website: www.baslerweb.com

The guide includes information about both hardware and software and describes how to begin capturing images.

3 Tools for Changing Camera Parameters

This chapter provides an overview of the options available for changing the camera's parameters.

The options available with the Basler pylon Camera Software Suite let you change parameters and control the camera by using a stand-alone GUI (known as the pylon Viewer) or by accessing the camera from within your software application using the API.

3.1 pylon Camera Software Suite

The Basler pylon Camera Software Suite is designed for use with all Basler cameras with the following interface types: IEEE 1394a interface, IEEE 1394b, GigE, or USB 3.0. It will also operate newer Camera Link cameras. The pylon Camera Software Suite offers reliable, real-time image data transport into the memory of your PC at a very low CPU load.

You can download the Basler Camera Software Suite from the Basler website: www.baslerweb.com

The pylon Camera Software Suite includes several tools that you can use to change the parameters on your camera, including the pylon Viewer and the pylon API for different programming languages. The remaining sections in this chapter provide an introduction to these tools.

3.1.1 pylon Viewer

The pylon Viewer is a standalone application that lets you view and change most of the camera's parameter settings via a GUI-based interface. Using the pylon Viewer is a very convenient way to get your camera up and running quickly during your initial camera evaluation or a camera design-in for a new project.

For more information about using the viewer, see the *Installation and Setup Guide for Cameras Used with Basler pylon for Windows* (AW000611). You can download the guide from the Basler website: www.baslerweb.com

3.1.2 pylon SDKs

Three pylon SDKs are part of the Basler pylon Camera Software Suite:

- pylon SDK for C++ (Windows and Linux)
- pylon SDK for C (Windows)
- pylon SDK for .NET / C# (Windows)

Each SDK includes an API, a set of sample programs, and documentation:

- You can access all of the camera's parameters and control the camera's full functionality from within your application software by using the matching pylon API (C++, C, or .NET).
- The sample programs illustrate how to use the pylon API to parameterize and operate the camera.
- For each environment (C++, C, and .NET), a *Programmer's Guide and Reference Documentation* is available. The documentation gives an introduction to the pylon API and provides information about all methods and objects of the API.

4 Functional Description

This chapter provides an overview of the camera's functionality from a system perspective. The overview will aid your understanding when you read the more detailed information included in the later chapters of the user's manual.

4.1 Overview (All Models Except scA750-60)



The information in this section applies to all camera models except the scA750-60 fm/fc. For information about scA750-60 fm/fc cameras, see Section 4.2 on [page 47](#).

Each camera provides features such as a full frame shutter and electronic exposure time control.

Exposure start, exposure time, and charge readout can be controlled by parameters transmitted to the camera via the Basler pylon API and the IEEE 1394b interface. There are also parameters available to set the camera for single frame acquisition or continuous frame acquisition.

Exposure start can also be controlled via an externally generated hardware trigger (ExTrig) signal. The ExTrig signal facilitates periodic or non-periodic acquisition start. Modes are available that allow the length of exposure time to be directly controlled by the ExTrig signal or to be set for a pre-programmed period of time.

Accumulated charges are read out of the sensor when exposure ends. At readout, accumulated charges are transported from the sensor's light-sensitive elements (pixels) to the vertical shift registers (see Figure 28 on [page 46](#)). The charges from the bottom line of pixels in the array are then moved into a horizontal shift register. Next, the charges are shifted out of the horizontal register. As the charges move out of the horizontal shift register, they are converted to voltages proportional to the size of each charge. Each voltage is then amplified by a Variable Gain Control (VGC) and digitized by an Analog-to-Digital converter (ADC). After each voltage has been amplified and digitized, it passes through an FPGA and into an image buffer. All shifting is clocked according to the camera's internal data rate. Shifting continues in a linewise fashion until all image data has been read out of the sensor.

The pixel data leaves the image buffer and passes back through the FPGA to an IEEE1394b link layer controller where it is assembled into data packets. The packets are passed to a 1394b physical layer controller which transmits them isochronously to an interface board in the host PC. The physical and link layer controllers also handle transmission and receipt of asynchronous control data such as changes to the camera's parameters.

The image buffer between the sensor and the link layer controller allows data to be read out of the sensor at a rate that is independent of the data transmission rate between the camera and the host computer. This ensures that the data transmission rate has no influence on image quality.

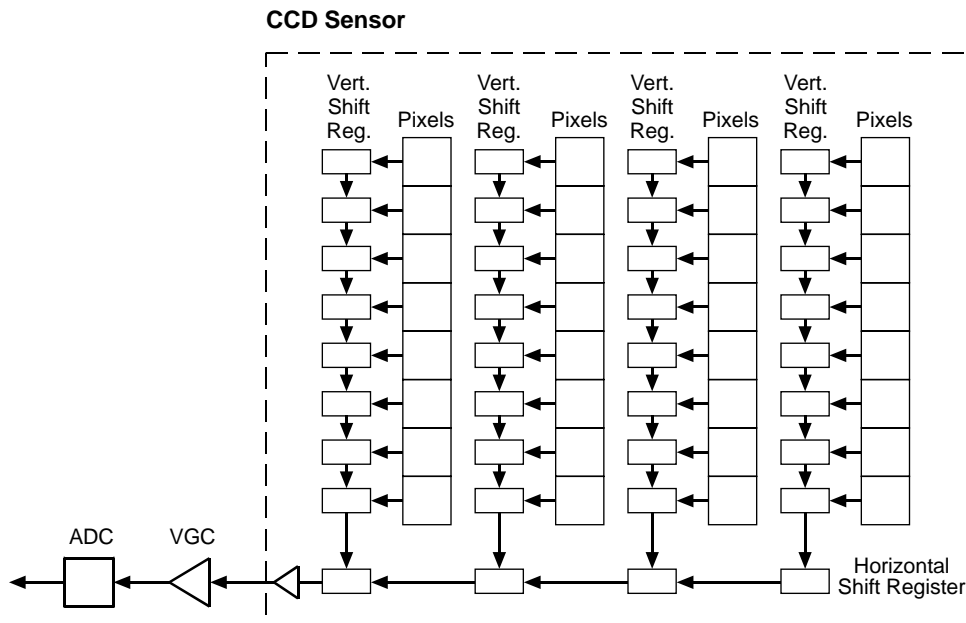


Fig. 28: CCD Sensor Architecture

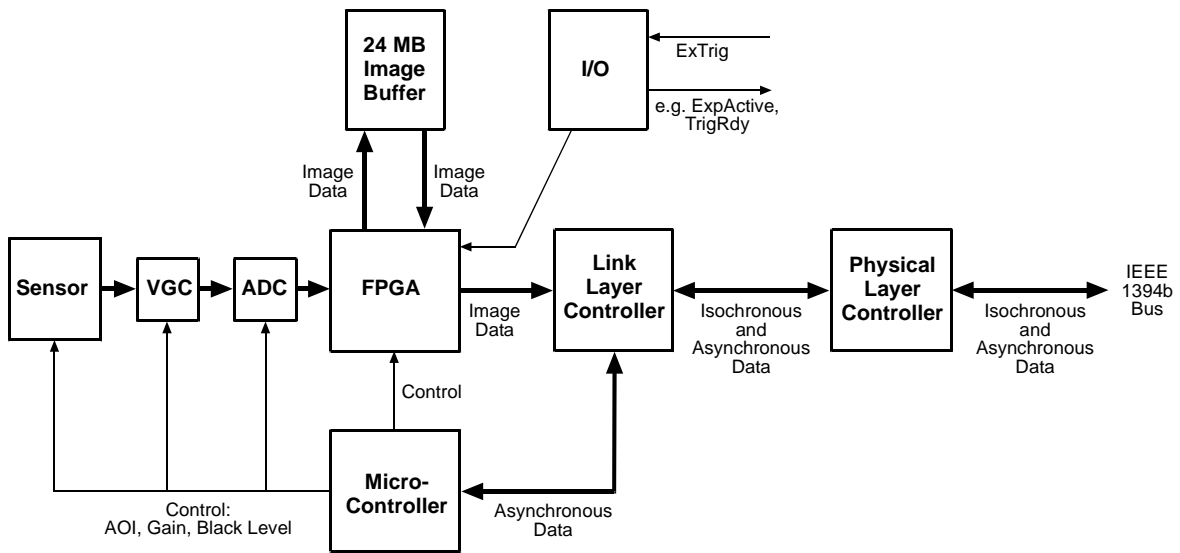


Fig. 29: Camera Block Diagram

4.2 Overview (scA750-60 Only)



The information in this section only applies to scA750-60 fm/fc cameras. For information about the other camera models, see Section 4.1 on [page 45](#).

Each camera provides features such as a full frame shutter and electronic exposure time control. The sensor chip includes gain controls, ADCs, and other digital devices.

Exposure start, exposure time, and charge readout can be controlled by parameters transmitted to the camera via the Basler pylon API and the GigE interface. There are also parameters available to set the camera for single frame acquisition or continuous frame acquisition.

Exposure start can also be controlled via an externally generated hardware trigger (ExTrig) signal. The ExTrig signal facilitates periodic or non-periodic acquisition start. Exposure can be set for a preprogrammed period of time.

Accumulated charges are read out when the programmed exposure time ends. At readout, the accumulated charges are transported from the sensor's light-sensitive elements (pixels) to the sensor's column buses (see Figure 28 on [page 46](#)). The charges from the bottom line of pixels in the array are then moved into the analog processing section of the sensor. As the charges move from the pixels to the analog processing section, they are converted to voltages proportional to the size of each charge. The voltages from the analog processing section are next passed to a bank of Analog-to-Digital converters (ADCs).

Finally, the voltages pass through a section of the sensor where they receive additional digital processing and then they are moved out of the sensor. As each voltage leaves the sensor, it passes through an FPGA and into an image buffer. All shifting is clocked according to the camera's internal data rate. Shifting continues in a linewise fashion until all image data has been read out of the sensor.

The pixel data leaves the image buffer and passes back through the FPGA to an IEEE1394b link layer controller where it is assembled into data packets. The packets are passed to a 1394b physical layer controller which transmits them isochronously to an interface board in the host PC. The physical and link layer controllers also handle transmission and receipt of asynchronous control data such as changes to the camera's parameters.

The image buffer between the sensor and the link layer controller allows data to be read out of the sensor at a rate that is independent of the data transmission rate between the camera and the host computer. This ensures that the data transmission rate has no influence on image quality.

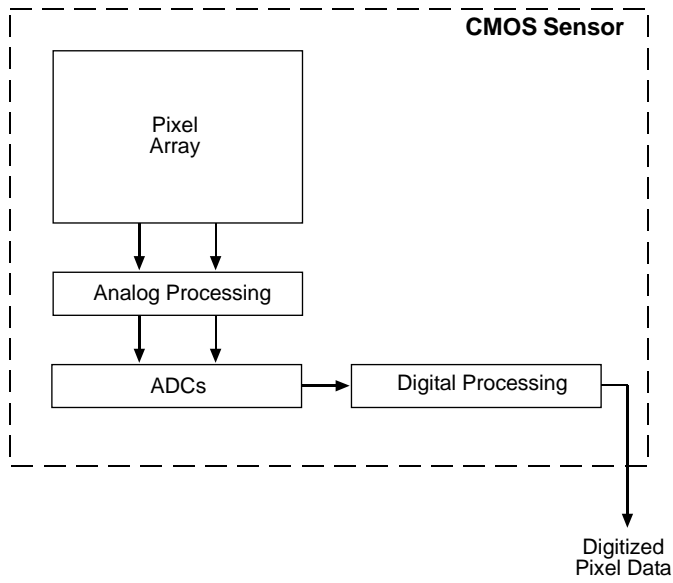


Fig. 30: CMOS Sensor Architecture

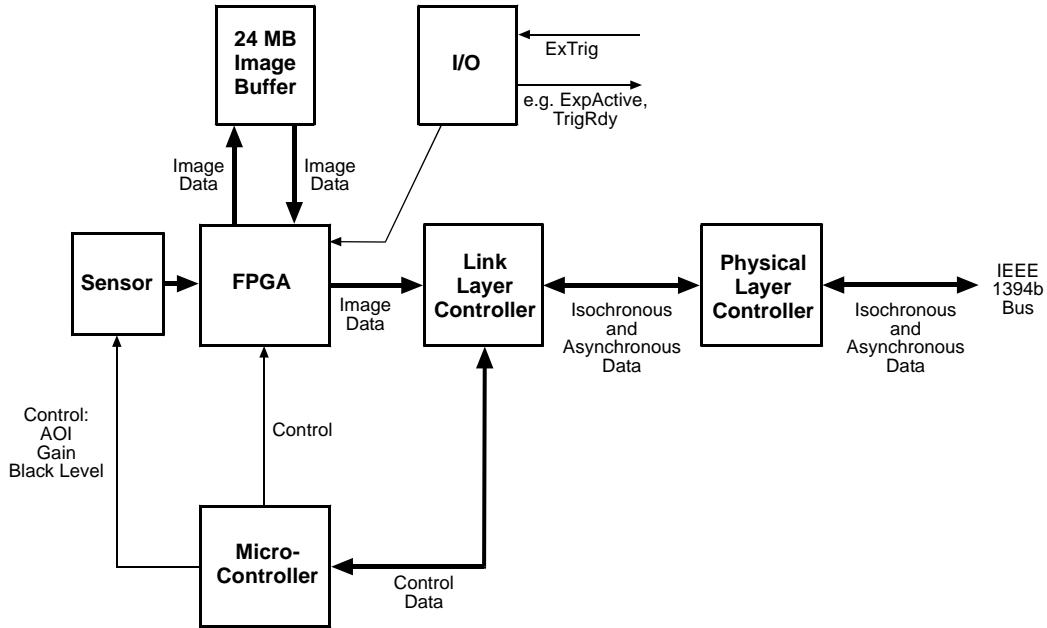


Fig. 31: Camera Block Diagram

5 Physical Interface

This chapter provides detailed information, such as pinouts and voltage requirements, for the physical interface on the camera. This information will be especially useful during your initial design-in process.

5.1 General Description of the Connections

The camera is interfaced to external circuitry via connectors located on the back of the housing:

- an IEEE 1394b socket used to provide power and a bus connection to the camera.
- a 12-pin receptacle used to provide access to the camera's I/O ports.

There is also an LED indicator on the back.

The drawing below shows the location of the two connectors and the LED.

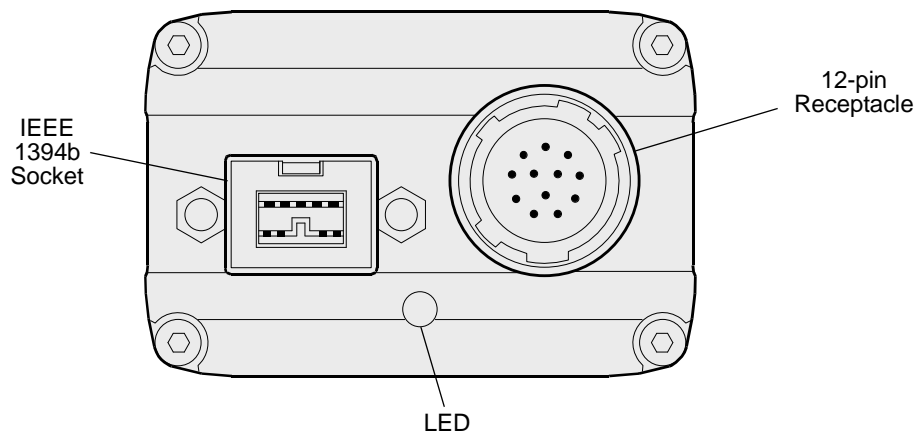


Fig. 32: Camera Connectors and LED

5.2 Camera Connector Types, Connection Numbering, and Assignments

5.2.1 Pin Numbering

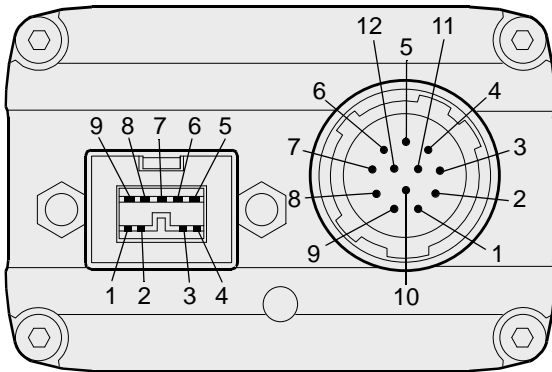


Fig. 33: Pin Numbering for the IEEE 1394b Socket and the 12-pin Receptacle

5.2.2 IEEE 1394b Connector

The 1394b socket on the camera is a standard, 9-pin IEEE 1394b bilingual socket. The recommended mating connector is any standard, 9-pin IEEE 1394b plug.

The IEEE 1394b socket is used to supply power to the camera and to interface video data and control signals. The pin assignments for the socket are as shown in Table 7. These are the standard pin assignments for IEEE 1394b sockets. Pin numbering is as shown in Section 5.2.1 on [page 50](#).

Pin	Signal
1	TPB - (twisted pair B minus)
2	TPB + (twisted pair B plus)
3	TPA - (twisted pair A minus)
4	TPA + (twisted pair A plus)
5	TPA R (twisted pair A ground)
6	VG (power ground)
7	Not connected
8	VP (+8 to +36 VDC power)
9	TPB R (twisted pair B ground)

Table 7: Pin Assignments for the IEEE 1394b Socket

5.2.3 12-pin Connector



CAUTION

An Incorrect Plug Can Damage the 12-pin Connector

The plug on the cable that you attach to the camera's 12-pin connector must have 12 pins. Use of a smaller plug, such as one with 10 pins or 8 pins, can damage the pins in the camera's 12-pin connector.

The 12-pin connector on the camera is a Hirose micro receptacle (part number HR10A-10R-12P) or the equivalent.

The recommended mating connector is a Hirose micro plug (part number HR10A-10P-12S) or the equivalent.

The 12-pin connector is used to access the two physical input lines and four physical output lines on the camera. The pin assignments for the receptacle are shown in Table 8. Pin numbering is as shown in Section 5.2.1 on [page 50](#).

Pin	Designation
1	Not connected
2	Not connected
3	I/O Input 1
4	I/O Input 2
5	I/O Input Gnd
6	I/O Output 1
7	I/O Output 2
8	Not connected
9	Not connected
10	I/O Output VCC
11	I/O Output 3
12	I/O Output 4

Table 8: Pin Assignments for the 12-pin Connector

5.3 Cabling Requirements

5.3.1 IEEE 1394b Cable

The maximum length of the IEEE 1394b cable used between the camera and the adapter in your PC or between the camera and a 1394b hub is 4.5 meters as specified in the IEEE 1394 standard.


Standard 9-pin shielded 1394b to 1394b cables should be used.

Suitable cables are available from Basler. Contact your Basler sales representative to order cable assemblies.



The camera is backward compatible with IEEE 1394a devices. If you will be connecting the camera to an IEEE 1394a device, you must use a conversion cable. The cable should have a 9-pin IEEE 1394b plug on the end that connects to the camera and a 6-pin IEEE 1394a plug on the end that connects to the device.

5.3.2 I/O Cable

	<p>You must use an I/O cable suitable for the camera and the connected I/O device.</p> <ul style="list-style-type: none"> ■ If the connected I/O device can apply signal voltages that meet the input voltage requirements of the camera, and if enhanced protection of the signal transmission against EMI or ESD is not required, use a standard I/O cable. ■ If the connected I/O device cannot apply signal voltages that meet the input voltage requirements of the camera (e.g. if the I/O device's signal voltage for the "low" logic state is above 1.4 V), or if additional protection of the signal transmission against EMI or ESD is required, use a PLC power and I/O cable. <p>For more information about input voltage requirements, see Section 5.2.3 on page 51.</p> <p>For more information about EMI and ESD, see Section 1.7 on page 36.</p>
---	--

General Recommendations

The I/O cable that connects to the camera

- must be terminated with a suitable I/O connector. For more information, see Section 5.2.3 on [page 51](#).
- must be shielded and must be constructed with twisted pair wire. Use of twisted pair wire is essential to ensure that input signals are correctly received. Close proximity to strong magnetic fields should be avoided.
- must have a cross section of at least 0,14 mm², which is approximately equal to an American wire gauge (AWG) rating of AWG 26.

The maximum recommended length of the I/O cable is 10 meters.


The required I/O connector is available from Basler. Basler also offers an I/O cable assembly that is terminated with an I/O connector on one end and unterminated on the other. Contact your Basler sales representative to order connectors or cables.

PLC Power and I/O Cable

The PLC power and I/O cable adjusts the voltage levels of PLC devices to the voltage levels required by the camera, and it protects the camera against negative voltage and reverse polarity.

The cables also offer protection of the signal transmission against EMI and ESD.

Basler offers PLC power and I/O cables in various lengths. Contact your Basler sales representative to order the cables.

	<p>The PLC power and I/O cable does not supply camera power for scout-f cameras. Camera power must be supplied via the IEEE 1394b cable.</p> <p>For more information about camera power, see Section 5.5 on page 55.</p>
---	--

5.4 IEEE 1394b Device Information

The camera uses an IEEE1394b - 2002 compliant physical layer device that can transmit at speeds up to 800 Mbit/s (S800). The device is backward compatible with IEEE 1394a - 2000 devices.

Detailed spec sheets for IEEE 1394b - 2002 compliant physical layer devices of the type used in the camera are available at the Texas Instruments website: www.ti.com.

5.5 Camera Power

Camera power must be supplied to the camera via the IEEE 1394b cable. Power consumption is as shown in the specification tables in Section 1 of this manual.

If your camera is connected to an IEEE 1394b adapter in a desktop computer, consult the instructions for the adapter and make sure that the adapter is properly configured to supply power to the camera.

If your camera is connected to a powered hub, consult the instructions for the hub and make sure that it is properly configured to supply power to the camera.

Some laptop computers have a connector for an IEEE 1394 device. In most cases, laptops **do not** supply power to the connected IEEE 1394 device. In this situation, you must

- use a powered hub between the laptop and the camera or
- use an IEEE 1394 power injection cable with an external power supply (available from Basler)
- install a PCMCIA IEEE 1394 adapter card that connects to an external power supply.



CAUTION

Incorrect Power Can Cause Damage

The polarity of the power on the camera's IEEE 1394b socket must be as shown in the pin assignment table. **Do not** reverse the power polarity. Reversing the polarity will damage the camera.

If the voltage supplied to the camera is greater than +36 VDC, damage to the camera can result. If the voltage is less than +8 VDC, the camera may operate erratically.

The following voltage requirements apply to the camera power (supplied via the IEEE 1394b cable):

Voltage	Significance
< +8 VDC	The camera may operate erratically.
+12 VDC	Safe operating voltage; < 1 % ripple required.
+36 VDC	Absolute maximum. The absolute maximum must never be exceeded. Otherwise, the camera can be damaged and the warranty becomes void.

Table 9: Voltage Requirements for the Camera Power

5.6 Input and Output Lines

5.6.1 Input Lines

5.6.1.1 Voltage Requirements

The following voltage requirements apply to the camera's I/O inputs (pins 3 and 4 of the 12-pin receptacle):

Voltage	Significance
+30.0 VDC	Absolute maximum. The absolute maximum must never be exceeded. Otherwise, the camera can be damaged and the warranty becomes void.
+0 to +24 VDC	Safe operating I/O input voltage range.
+0 to +1.4 VDC	The voltage indicates a logical 0.
> +1.4 to +2.2 VDC	Region where the transition threshold occurs; the logical state is not defined in this region.
> +2.2 VDC	The voltage indicates a logical 1.

Table 10: Voltage Requirements for the Camera's I/O Input Lines



If a PLC power and I/O cable is used, the cable adjusts the input voltage levels (up to 24 V) to the voltage levels required by the camera. For more information, see Section 5.3.2 on [page 53](#).

5.6.1.2 Line Schematic

The camera is equipped with two physical input lines designated as Input Line 1 and Input Line 2. The input lines are accessed via the 12-pin receptacle on the back of the camera.

As shown in the I/O line schematic, each input line is opto-isolated. See the previous section for input voltages and their significances. The current draw for each input line is between 5 and 15 mA.

Figure 34 shows an example of a typical circuit you can use to input a signal into the camera.

By default, Input Line 1 is assigned to receive an external hardware trigger (ExTrig) signal that can be used to control the start of image acquisition.

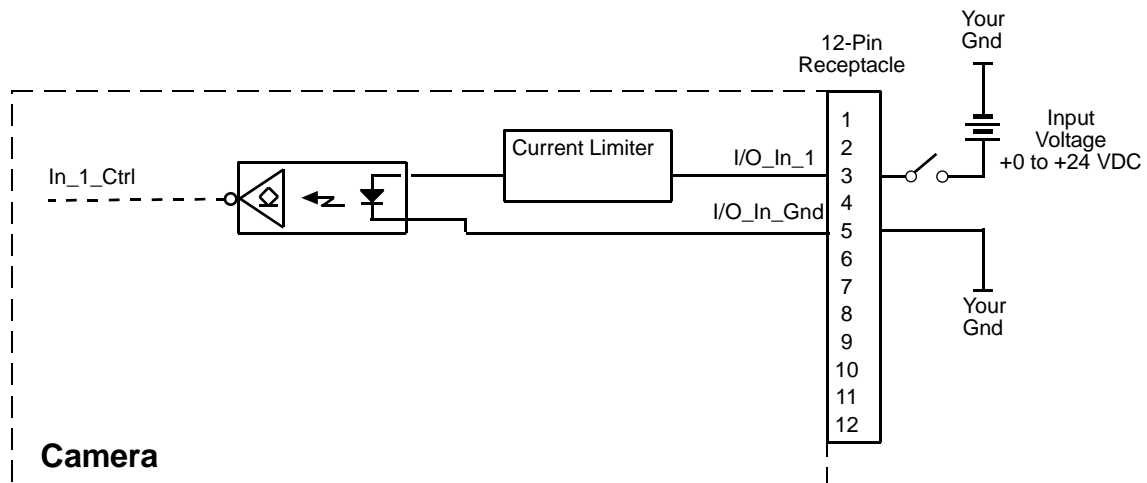


Fig. 34: Typical Input Circuit (Simplified)

For more information on input line pin assignments and pin numbering, see Section 5.2 on [page 50](#).

For more information about how to use an ExTrig signal to control image acquisition, see Section 7.4.5 on [page 86](#), Section 7.5.3 on [page 94](#), and Section 7.6.3 on [page 105](#).

For more information about configuring the input lines, see Section 6.1 on [page 61](#).

5.6.2 Output Lines

5.6.2.1 Voltage Requirements

The following voltage requirements apply to the I/O output VCC (pin 10 of the 12-pin receptacle):

Voltage	Significance
+30.0 VDC	Absolute maximum. The absolute maximum must never be exceeded. Otherwise, the camera can be damaged and the warranty becomes void.
+3.3 to +24 VDC	Safe operating I/O output supply voltage range.
< +3.3 VDC	The I/O output may operate erratically.

Table 11: Voltage Requirements for the I/O Output VCC

5.6.2.2 Line Schematic

The camera is equipped with four physical output lines designated as Output Line 1, Output Line 2, Output Line 3, and Output Line 4. The output lines are accessed via the 12-pin receptacle on the back of the camera.

As shown in the I/O schematic, each output line is opto-isolated. See the previous section for the recommended operating voltage. The maximum current allowed through an output circuit is 50 mA.

A conducting transistor means a logical one and a non-conducting transistor means a logical zero.

Figure 35 shows a typical circuit you can use to monitor an output line with a voltage signal. The circuit in Figure 35 is monitoring output line 1.

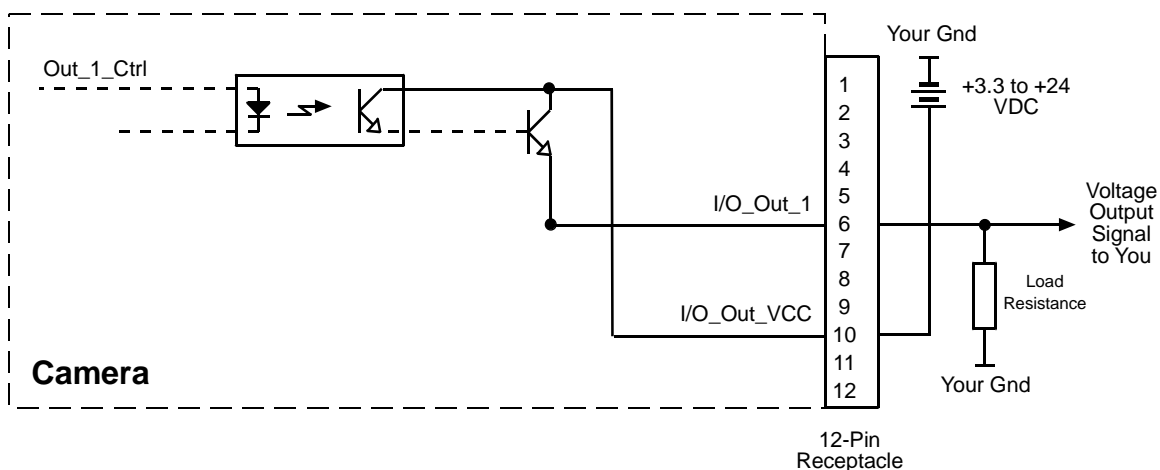


Fig. 35: Typical Voltage Output Circuit (Simplified)

By default, the camera's exposure active (ExpAc) signal is assigned to Output Line 1. The exposure active signal indicates when exposure is taking place.

By default, the camera's trigger ready (TrigRdy) is assigned to Output Line 2. The trigger ready signal goes high to indicate the earliest point at which exposure start for the next frame can be triggered.

The assignment of camera output signals to physical output lines can be changed by the user.

For more information about

- output line pin assignments and pin numbering, see Section 5.2 on [page 50](#).
- the exposure active signal, see Section 7.11.1 on [page 127](#).
- the trigger ready signal, see Section 7.11.3 on [page 128](#).
- assigning camera output signals to physical output ports, see Section 6.2 on [page 63](#).

5.6.3 Output Line Response Time

Response times for the output lines on the camera are as shown below.

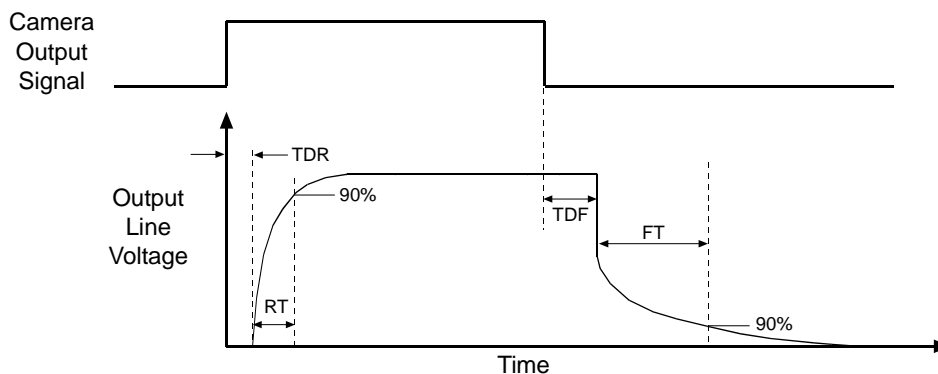


Fig. 36: Output Line Response Times

Time Delay Rise (TDR) = 1.5 μ s (typical)

Rise Time (RT) = 1.3 - 5.0 μ s (typical)

Time Delay Fall (TDF) = 1 - 20 μ s (typical)

Fall Time (FT) = 1 - 5 μ s (typical)



The response times for the output lines on your camera will typically fall into the ranges specified above. The exact response time for your specific application will depend on the external resistor and the applied voltage you use.

6 I/O Control

This section describes how to configure the camera's two physical input lines and four physical output lines. It also provides information about monitoring the state of the input and output lines.

For more detailed information about the physical and electrical characteristics of the input and output lines, see Section 5.3 on [page 52](#).

6.1 Configuring Input Lines

6.1.1 Assigning an Input Line to Receive a Hardware Trigger Signal

You can assign the camera's input lines to receive external hardware trigger (ExTrig) signals. The incoming ExTrig signals can then be used to control image acquisition.

Section 7.4.5.2 on [page 87](#), Section 7.5.3.4 on [page 97](#), and Section 7.6.3.4 on [page 110](#) explain how to configure the camera to react to a hardware trigger signal and how to assign an input line to receive the hardware trigger signal.



The default line assignments depend on the image acquisition control mode:

- Standard mode:

By default, physical input line 1 is assigned to receive an ExTrig signal to serve as the frame start trigger.

By default, physical input line 2 is assigned to receive an ExTrig signal to serve as the acquisition start trigger.

- Legacy mode:

By default, physical input line 1 is assigned to receive the ExTrig signal to serve as the acquisition start trigger.

You can assign only one line to receive the ExTrig input signal.

6.1.2 Using an Unassigned Input Line to Receive a User Input Signal

You can use an unassigned input line to receive your own, user-generated input signal. The electrical characteristics of your input signal must meet the requirements shown in the Physical Interface section of this manual.

You can use the Line Status or Line Status All parameters to monitor the state of the input line that is receiving the user-defined signal.



A line assigned to receive an ExTrig input signal can't be used to receive a user-designed input signal.

For more information about using the Line Status and Line Status All parameters, see Section 6.3.1 on [page 71](#) and Section 6.3.2 on [page 72](#).

6.1.3 Setting an Input Line for Invert

You can set each individual input line to invert or not to invert the incoming electrical signal. To set the invert function on an input line:

- Use the Line Selector to select an input line.
- Set the value of the Line Inverter parameter to true to enable inversion on the selected line and to false to disable inversion.

You can set the Line Selector and the Line Inverter parameter value from within your application software by using the pylon API. The following code snippet illustrates using the API to set the selector and the parameter value:

```
// Enable the inverter on line 1
Camera.LineSelector.SetValue( LineSelector_Line1 );
Camera.LineInverter.SetValue( true );
```

For detailed information about using the pylon API, refer to the Basler pylon Programmer's Guide and API Reference.

You can also use the Basler pylon Viewer application to easily set the parameters.

6.2 Configuring Output Lines

6.2.1 Assigning a Camera Output Signal to a Physical Output Line

You can use the camera's output signal assignment capability to assign one of the camera's standard output signals as the source signal for a physical output line. The camera has a variety of standard output signals available including:

- Acquisition Trigger Wait (only available when the image acquisition control is set to standard mode)
- Trigger Ready
- Exposure Active
- Timer 1, Timer 2, Timer 3, Timer 4

You can also designate an output line as "user settable". If an output line is designated as user settable, you can use the camera's API to set the state of the line as desired.

To assign an output signal to an output line or to designate the line as user settable:

- Use the Line Selector to select Output Line 1, Output Line 2, Output Line 3, or Output Line 4.
- Set the value of the Line Source Parameter to one of the available output signals or to user settable. This will set the source signal for the selected line



By default, the Exposure Active signal is assigned to Output Line 1 and the Trigger Ready Signal is assigned to Output Line 2.

You can set the Line Selector and the Line Source parameter value from within your application software by using the pylon API. The following code snippet illustrates using the API to set the selector and the parameter value:

```
Camera.LineSelector.SetValue( LineSelector_Out1 );  
Camera.LineSource.SetValue( LineSource_ExposureActive );  
Camera.LineSelector.SetValue( LineSelector_Out2 );  
Camera.LineSource.SetValue( LineSource_TriggerReady );
```

For detailed information about using the pylon API, refer to the Basler pylon Programmer's Guide and API Reference.

You can also use the Basler pylon Viewer application to easily set the parameters.

For more information about

- the pylon Viewer, see Section 3.1.1 on [page 43](#).
- setting the state of user settable output signals, see Section 6.2.2 on [page 64](#).
- working with the timer output signals, see Section 6.2.4 on [page 66](#)
- the exposure active signal, see Section 7.11.1 on [page 127](#).
- the trigger ready signal, see Section 7.11.3 on [page 128](#) and Section 7.11.4 on [page 131](#).

6.2.2 Setting the State of User Settable Output Lines

As mentioned in the previous section, you can designate one or more of the user output lines as "user settable". Once you have designated an output line as user settable, you can use camera parameters to set the state of the line.

Setting the State of a Single User Settable Output Line

To set the state of a single user settable output line:

- Use the User Output Selector to select the output line you want to set. For example, if you have designated output line 3 as user settable, you would select user settable output 3.
- Set the value of the User Output Value parameter to true (high) or false (low). This will set the state of the selected line.

You can set the Output Selector and the User Output Value parameter from within your application software by using the pylon API. The following code snippet illustrates using the API to designate output line 3 as user settable and setting the state of the output line:

```
Camera.LineSelector.SetValue( LineSelector_Out3 );
Camera.LineSource.SetValue( LineSource_UserOutput );
Camera.UserOutputSelector.SetValue( UserOutputSelector_UserOutput3 );
Camera.UserOutputValue.SetValue( true );
bool currentUserOutput3State = Camera.UserOutputValue.GetValue( );
```

For detailed information about using the pylon API, refer to the Basler pylon Programmer's Guide and API Reference.

You can also use the Basler pylon Viewer application to easily set the parameters.

Setting the State of Multiple User Settable Output Lines

The User Output Value All parameter is a 32 bit value. As shown in Figure 37, the lowest four bits of the parameter value will set the state of the user settable outputs. If a bit is 0, it will set the state of the associated output to low. If a bit is high, it will set the state of the associated port to high.

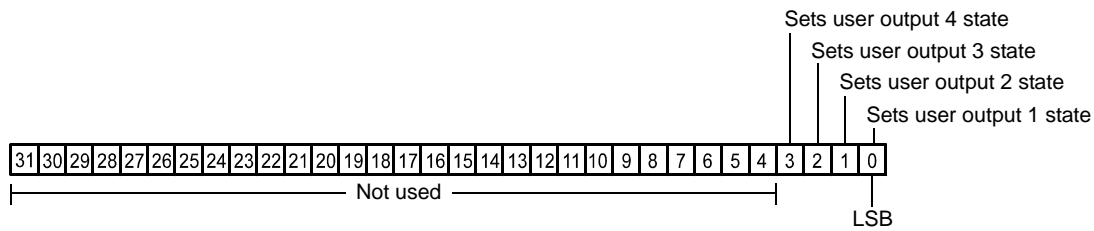


Fig. 37: User Output Value All Parameter Bits

To set the state of multiple user settable output lines:

- Use the User Output Value All parameter to set the state of multiple user settable outputs.

You can set the User Output Value All parameter from within your application software by using the pylon API. The following code snippet illustrates using the API to set the parameter:

```
Camera.UserOutputValueAll.SetValue( 0x3 );
int64_t currentOutputState = Camera.UserOutputValueAll.GetValue( );
```



If you have the invert function enabled on an output line that is designated as user settable, the user setting sets the state of the line before the inverter.

6.2.3 Setting an Output Line for Invert

You can set each individual output line to invert or not to invert the outgoing signal. To set the invert function on an output line:

- Use the Line Selector to select an output line.
- Set the value of the Line Inverter parameter to true to enable inversion on the selected line and to false to disable inversion.

You can set the Line Selector and the Line Inverter parameter value from within your application software by using the pylon API. The following code snippet illustrates using the API to set the selector and the parameter value:

```
// Enable the inverter on output line 1
Camera.LineSelector.SetValue( LineSelector_Out1 );
Camera.LineInverter.SetValue( true );
```

For detailed information about using the pylon API, refer to the Basler pylon Programmer's Guide and API Reference.

You can also use the Basler pylon Viewer application to easily set the parameters.

For more information about the pylon Viewer, see Section 3.1.1 on [page 43](#).

6.2.4 Working with Timers

The camera has four timer output signals available: Timer 1, Timer 2, Timer 3, and Timer 4. As shown in Figure 38, each timer works as follows:

- A trigger source event occurs that starts the timer.
- A delay period begins to expire.
- When the delay expires, the timer signal goes high and a duration period begins to expire.
- When the duration period expires, the timer signal goes low.

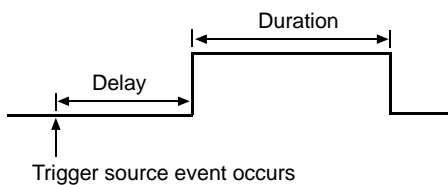


Fig. 38: Timer Signal

Currently, the only trigger source event available to start the timer is "exposure active". In other words, you can use exposure start to trigger the start of a timer.

Timer 1 can only be assigned to output line 1. Timer 2 can only be assigned to output line 2. Timer 3 can only be assigned to output line 3. Timer 4 can only be assigned to output line 4.

If you require the timer signal to be high when the timer is triggered and to go low when the delay expires, simply set the output line to invert.

6.2.4.1 Setting the Trigger Source for a Timer

To set the trigger source for a timer:

- Use the Timer Selector to select timer 1 or timer 2.
- Set the value of the Timer Trigger Source parameter to exposure active. This will set the selected timer to use the start of exposure to begin the timer.

You can set the Trigger Selector and the Timer Trigger Source parameter value from within your application software by using the pylon API. The following code snippet illustrates using the API to set the selector and the parameter value:

```
Camera.TimerSelector.SetValue( TimerSelector_Timer1 );
Camera.TimerTriggerSource.SetValue( TimerTriggerSource_ExposureStart );
```

For detailed information about using the pylon API, refer to the Basler pylon Programmer's Guide and API Reference.

You can also use the Basler pylon Viewer application to easily set the parameters.

For more information about the pylon Viewer, see Section 3.1.1 on [page 43](#).

6.2.4.2 Setting a Timer Delay Time

There are two ways to set the delay time for a timer: by setting "raw" values or by setting an "absolute value". You can use whichever method you prefer to set the delay time.

Setting the Delay with Raw Values

When the delay time for a timer is set using "raw" values, the delay time will be determined by a combination of two elements. The first element is the value of the Timer Delay Raw parameter, and the second element is the Timer Delay Time Base. The delay time is the product of these two elements:

$$\text{Delay Time} = (\text{Timer Delay Raw Parameter Value}) \times (\text{Timer Delay Time Base})$$

By default, the Timer Delay Time Base is fixed at 1 μs . Typically, the delay time is adjusted by setting the Timer Delay Raw parameter value.

The Timer Delay Raw parameter value can range from 0 to 4095. So if the value is set to 100, for example, the timer delay will be 100 x 1 μs or 100 μs .

To set the delay for a timer:

- Use the Timer Selector to select a timer.
- Set the value of the Timer Delay Raw parameter.

You can set the Timer Selector and the Timer Delay Raw parameter value from within your application software by using the pylon API. The following code snippet illustrates using the API to set the selector and the parameter value:

```
Camera.TimerSelector.SetValue( TimerSelector_Timer1 );  
Camera.TimerDelayRaw.SetValue( 100 );
```

For detailed information about using the pylon API, refer to the Basler pylon Programmer's Guide and API Reference.

You can also use the Basler pylon Viewer application to easily set the parameters.

Changing the Delay Time Base

By default, the Timer Delay Time Base is fixed at 1 μ s (minimum value), and the timer delay is normally adjusted by setting the value of the Timer Delay Raw parameter. However, if you require a delay time that is longer than what you can achieve by changing the value of the Timer Delay Raw parameter alone, the Timer Delay Time Base Abs parameter can be used to change the delay time base.

The Timer Delay Time Base Abs parameter value sets the delay time base in μ s. The default is 1 μ s and it can be changed in 1 μ s increments.

Note that there is only one timer delay time base and it is used by all four of the available timers.

You can set the Timer Delay Time Base Abs parameter value from within your application software by using the pylon API. The following code snippet illustrates using the API to set the parameter value:

```
Camera.TimerDelayTimebaseAbs.SetValue( 5 );
```

Setting the Delay with an Absolute Value

You can also set the Timer delay by using an "absolute" value. This is accomplished by setting the Timer Delay Abs parameter. The units for setting this parameter are μ s and the value can be set in increments of 1 μ s.

To set the delay for a timer using an absolute value:

- Use the Timer Selector to select a timer.
- Set the value of the Timer Delay Abs parameter.

You can set the Timer Selector and the Timer Delay Abs parameter value from within your application software by using the pylon API. The following code snippet illustrates using the API to set the selector and the parameter value:

```
Camera.TimerSelector.SetValue( TimerSelector_Timer1 );  
Camera.TimerDelayAbs.SetValue( 100 );
```

When you use the Timer Delay Abs parameter to set the delay time, the camera accomplishes the setting change by automatically changing the Timer Delay Raw parameter to achieve the value specified by the Timer Delay Abs setting. This leads to a limitation that you must keep in mind if you use Timer Delay Abs parameter to set the delay time. That is, you must set the Timer Delay Abs parameter to a value that is equivalent to a setting you could achieve by using the Timer Delay Raw and the current Timer Delay Base parameters. For example, if the time base was currently set to 50 μ s, you could use the Timer Delay Abs parameter to set the delay to 50 μ s, 100 μ s, 150 μ s, etc.

Note that if you set the Timer Delay Abs parameter to a value that you could not achieve by using the Timer Delay Raw and current Timer Delay Time Base parameters, the camera will automatically change the setting for the Timer Delay Abs parameter to the nearest achievable value.

You should also be aware that if you change the delay time using the raw settings, the Timer Delay Abs parameter will automatically be updated to reflect the new delay time.

6.2.4.3 Setting a Timer Duration Time

There are two ways to set the duration time for a timer: by setting "raw" values or by setting an "absolute value". You can use whichever method you prefer to set the duration time.

Setting the Duration with Raw Values

When the duration time for a timer is set using "raw" values, the duration time will be determined by a combination of two elements. The first element is the value of the Timer Duration Raw parameter, and the second element is the Timer Duration Time Base. The duration time is the product of these two elements:

$$\text{Duration Time} = (\text{Timer Duration Raw Parameter Value}) \times (\text{Timer Duration Time Base})$$

By default, the Timer Duration Time Base is fixed at 1 μs . Typically, the duration time is adjusted by setting only the Timer Duration Raw parameter value.

The Timer Duration Raw parameter value can range from 1 to 4095. So if the value is set to 100, for example, the timer duration will be 100 x 1 μs or 100 μs .

To set the duration for a timer:

- Use the Timer Selector to select a timer.
- Set the value of the Timer Duration Raw parameter.

You can set the Timer Selector and the Timer Duration Raw parameter value from within your application software by using the pylon API. The following code snippet illustrates using the API to set the selector and the parameter value:

```
Camera.TimerSelector.SetValue( TimerSelector_Timer1 );  
Camera.TimerDurationRaw.SetValue( 100 );
```

For detailed information about using the pylon API, refer to the Basler pylon Programmer's Guide and API Reference.

You can also use the Basler pylon Viewer application to easily set the parameters.

Changing the Duration Time Base

By default, the Timer Duration Time Base is fixed at 1 μs , and the timer duration is normally adjusted by setting the value of the Timer Duration Raw parameter. However, if you require a duration time that is longer than what you can achieve by changing the value of the Timer Duration Raw parameter alone, the Timer Duration Time Base Abs parameter can be used to change the duration time base.

The Timer Duration Time Base Abs parameter value sets the duration time base in μs . The default is 1 μs and it can be changed in 1 μs increments.

Note that there is only one timer duration time base and it is used by all four of the available timers.

You can set the Timer Duration Time Base Abs parameter value from within your application software by using the pylon API. The following code snippet illustrates using the API to set the parameter value:

```
Camera.TimerDurationTimebaseAbs.SetValue( 5 );
```

Setting the Duration with an Absolute Value

You can also set the Timer duration by using an "absolute" value. This is accomplished by setting the Timer Duration Abs parameter. The units for setting this parameter are μs and the value can be set in increments of 1 μs .

To set the duration for a timer using an absolute value:

- Use the Timer Selector to select a timer.
- Set the value of the Timer Duration Abs parameter.

You can set the Timer Selector and the Timer Duration Abs parameter value from within your application software by using the pylon API. The following code snippet illustrates using the API to set the selector and the parameter value:

```
Camera.TimerSelector.SetValue( TimerSelector_Timer1 );  
Camera.TimerDurationAbs.SetValue( 100 );
```

When you use the Timer Duration Abs parameter to set the duration time, the camera accomplishes the setting change by automatically changing the Timer Duration Raw parameter to achieve the value specified by the Timer Duration Abs setting. This leads to a limitation that you must keep in mind if you use Timer Duration Abs parameter to set the duration time. That is, you must set the Timer Duration Abs parameter to a value that is equivalent to a setting you could achieve by using the Timer Duration Raw and the current Timer Duration Base parameters. For example, if the time base was currently set to 50 μs , you could use the Timer Duration Abs parameter to set the duration to 50 μs , 100 μs , 150 μs , etc.

If you read the current value of the Timer Duration Abs parameter, the value will indicate the product of the Timer Duration Raw parameter and the Timer Duration Time Base. In other words, the Timer Duration Abs parameter will indicate the current duration time setting.

You should also be aware that if you change the duration time using the raw settings, the Timer Duration Abs parameter will automatically be updated to reflect the new duration time.

6.3 Checking the State of the I/O Lines

6.3.1 Checking the State of a Single Output Line

You can determine the current state of an individual output line. To check the state of a line:

- Use the Line Selector parameter to select an output line.
- Read the value of the Line Status parameter to determine the current state of the selected line. A value of true means the line's state is currently high and a value of false means the line's state is currently low.

You can set the Line Selector and read the Line Status parameter value from within your application software by using the pylon API. The following code snippet illustrates using the API to set the selector and read the parameter value:

```
// Select output line 2 and read the state
Camera.LineSelector.SetValue( LineSelector_Out2 );
bool outputLine2State = Camera.LineStatus.GetValue( );
```

For detailed information about using the pylon API, refer to the Basler pylon Programmer's Guide and API Reference.

You can also use the Basler pylon Viewer application to easily set the parameters.

For more information about the pylon Viewer, see Section 3.1.1 on [page 43](#).

6.3.2 Checking the State of All Lines

You can determine the current state of all input and output lines with a single operation. To check the state of all lines:

Read the value of the Line Status All parameter.

You can read the Line Status All parameter value from within your application software by using the pylon API. The following code snippet illustrates using the API to read the parameter value:

```
int64_t lineState = Camera.LineStatusAll.GetValue( );
```

The Line Status All parameter is a 32 bit value. As shown in Figure 39, certain bits in the value are associated with each line, and the bits will indicate the state of the lines. If a bit is 0, it indicates that the state of the associated line is currently low. If a bit is 1, it indicates that the state of the associated line is currently high.

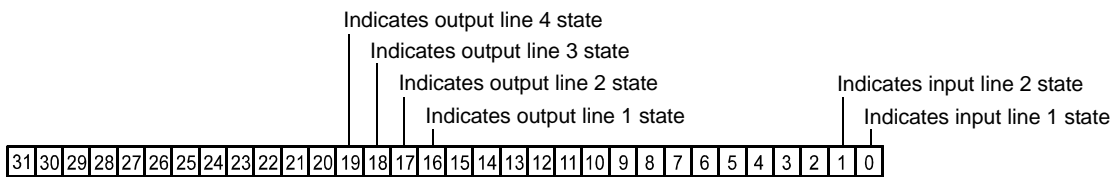


Fig. 39: Line Status All Parameter Bits

7 Image Acquisition Control

This section provides detailed information about controlling image acquisition. You will find details about choosing between image acquisition control modes, triggering image acquisition, setting the exposure time for each acquired image and about how the camera's maximum allowed acquisition frame rate can vary depending on the current camera settings.

7.1 Image Acquisition Control Modes: Legacy and Standard

Two different image acquisition control modes are available: the legacy mode and the standard mode. Previous Basler scout cameras with firmware version 3.2 and below only operate according to the legacy mode.

The legacy mode differs from the standard mode in only two respects:

- the acquisition start trigger of the standard mode is not available in the legacy mode.
- the frame start trigger of the standard mode is called "acquisition start trigger" in the legacy mode.

Recommendations for choosing the image acquisition control mode:

- If you want to operate the camera together with previous cameras we recommend choosing the legacy mode. In this mode, triggering the camera will be exactly as for previous cameras. Note also that you will not have to modify any code of your application.
- If you do not want to operate the camera together with previous cameras we most strongly recommend choosing the standard mode.

For more information about

- acquisition start trigger in the legacy mode, see Section 7.6 on [page 99](#).
- acquisition start trigger and frame start trigger in the standard mode, see Section 7.4 on [page 81](#) and Section 7.5 on [page 88](#), respectively.
- determining the camera's firmware version, see Section 9.18 on [page 237](#)



When the camera is started for the first time after delivery from the factory the image acquisition control will be in legacy mode.

If you want the camera to start in standard mode, set the camera to standard mode (see below), save the current parameter settings as a user set and designate this user set as the startup set.

For more information about saving parameter settings as a user set and about working with user sets, see Section 9.19 on [page 239](#).

Setting the Image Acquisition Control Mode

You can set the image acquisition control mode from within your application software by using the pylon API. The following code snippets illustrate using the API to set the image acquisition control mode to standard mode and to legacy mode, respectively:

```
Camera.TriggerControlImplementation =  
TriggerControlImplementation_Standard;
```

```
Camera.TriggerControlImplementation =  
TriggerControlImplementation_Legacy;
```

For detailed information about using the pylon API, refer to the Basler pylon Programmer's Guide and API Reference.

You can also use the Basler pylon Viewer application to easily set the image acquisition control mode.

For more information about the pylon Viewer, see Section 3.1.1 on [page 43](#).

7.2 Means for Controlling Image Acquisition in Standard Mode



This section assumes that the standard mode is enabled for image acquisition control.

In principle, this section also applies if the legacy mode is enabled instead. In this case, however, the following differences must be taken into account:

- the acquisition start trigger of the standard mode is not available in the legacy mode.
- the frame start trigger of the standard mode is called "acquisition start trigger" in the legacy mode.



When the camera is started for the first time after delivery from the factory the image acquisition control will not be in standard mode but in legacy mode.

Use the legacy mode only if you want to operate the camera together with previous cameras not featuring the standard mode.

For more information about standard mode and legacy mode and how to set them, see Section 7.1 on [page 73](#).

This section presents an overview of the elements involved with controlling the acquisition of images. Reading this section will give you an idea about how these elements fit together and will make it easier to understand the detailed information in the sections that follow.

Four major elements are involved in controlling the acquisition of images:

- Acquisition start and acquisition stop commands and the acquisition mode parameter
- The acquisition start trigger
- The frame start trigger
- Exposure time control

When reading the explanations in the overview and in this entire chapter, keep in mind that the term "frame" is typically used to mean a single acquired image.

When reading the material in this section, it is helpful to refer to Figure 40 on [page 77](#) and to the use case diagrams in Section 7.8 on [page 115](#). These diagrams present the material related to the acquisition start and stop commands, the acquisition mode, the acquisition start trigger, and the frame start trigger in a graphical format.

Acquisition Start and Stop Commands and the Acquisition Mode

The Acquisition Start command prepares the camera to acquire frames. The camera cannot acquire frames unless an Acquisition Start command has first been executed.

A parameter called the Acquisition Mode has a direct bearing on how the Acquisition Start command operates.

If the Acquisition Mode parameter is set to "single frame", you can only acquire one frame after executing an Acquisition Start command. When one frame has been acquired, the Acquisition Start command will expire. Before attempting to acquire another frame, you must execute a new Acquisition Start command.

If the Acquisition Mode parameter is set to "continuous frame", an Acquisition Start command does not expire after a single frame is captured. Once an Acquisition Start command has been executed, you can acquire as many frames as you like. The Acquisition Start command will remain in effect until you execute an Acquisition Stop command. Once an Acquisition Stop command has been executed, the camera will not be able to acquire frames until a new Acquisition Start command is executed.

Acquisition Start Trigger

The acquisition start trigger is essentially an enabler for the frame start trigger.

The acquisition start trigger has two modes of operation: off and on.

If the Trigger Mode parameter for the acquisition start trigger is set to off, the camera will generate all required acquisition start trigger signals internally, and you do not need to apply acquisition start trigger signals to the camera.

If the Trigger Mode parameter for the acquisition start trigger is set to on, the initial acquisition status of the camera will be "waiting for acquisition start trigger" (see Figure 40 on [page 77](#)). When the camera is in this acquisition status, it cannot react to frame start trigger signals. When an acquisition start trigger signal is applied to the camera, the camera will exit the "waiting for acquisition start trigger" acquisition status and enter a "waiting for frame start trigger" acquisition status. The camera can then react to frame start trigger signals. The camera will continue to react to frame start trigger signals until the number of frame start trigger signals it has received is equal to an integer parameter setting called the Acquisition Frame Count. At that point, the camera will return to the "waiting for acquisition start trigger" acquisition status and will remain in that status until a new acquisition start trigger signal is applied.

As an example, assume that the Trigger Mode parameter is set to on, the Acquisition Frame Count parameter is set to three, and the camera is in a "waiting for acquisition start trigger" acquisition status. When an acquisition start trigger signal is applied to the camera, it will exit the "waiting for acquisition start trigger" acquisition status and enter the "waiting for frame start trigger" acquisition status. Once the camera has received three frame start trigger signals, it will return to the "waiting for acquisition start trigger" acquisition status. At that point, you must apply a new acquisition start trigger signal to the camera to make it exit "waiting for acquisition start trigger".

Frame Start Trigger

Assuming that an acquisition start trigger signal has just been applied to the camera, the camera will exit from the "waiting for acquisition start trigger" acquisition status and enter a "waiting for frame start trigger" acquisition status. Applying a frame start trigger signal to the camera at this point will exit the camera from the "waiting for frame start trigger" acquisition status and will begin the

process of exposing and reading out a frame (see Figure 40 on page 77). As soon as the camera is ready to accept another frame start trigger signal, it will return to the "waiting for frame start trigger" acquisition status. A new frame start trigger signal can then be applied to the camera to begin another frame exposure.

The frame start trigger has two modes: off and on.

If the Trigger Mode parameter for the frame start trigger is set to off, the camera will generate all required frame start trigger signals internally, and you do not need to apply frame start trigger signals to the camera. The rate at which the camera will generate the signals and acquire frames will be determined by the way that you set several frame rate related parameters.

If the Trigger Mode parameter for the frame start trigger is set to on, you must trigger frame start by applying frame start trigger signals to the camera. Each time a trigger signal is applied, the camera will begin a frame exposure. When frame start is being triggered in this manner, it is important that you do not attempt to trigger frames at a rate that is greater than the maximum allowed. (There is a detailed explanation about the maximum allowed frame rate at the end of this chapter.) Frame start trigger signals applied to the camera when it is not in a "waiting for frame start trigger" acquisition status will be ignored.

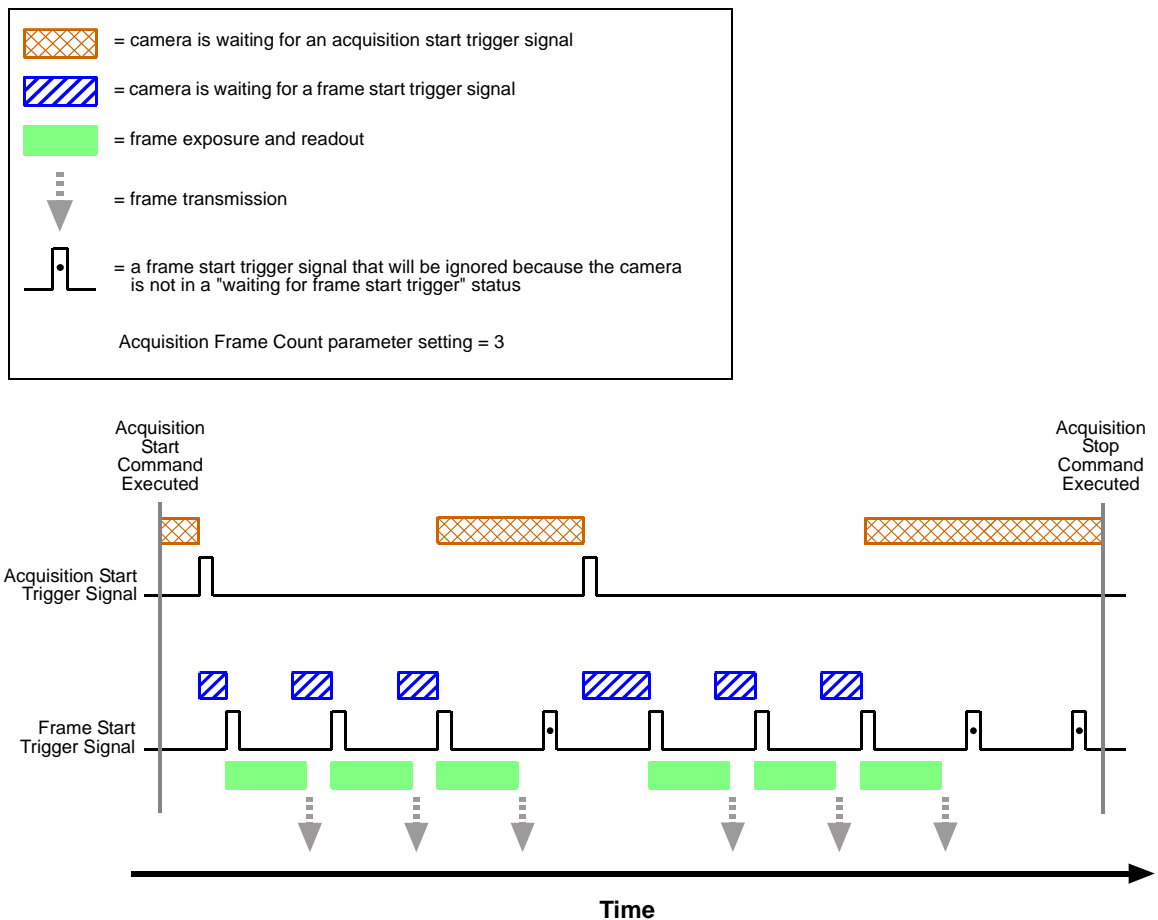


Fig. 40: Acquisition Start and Frame Start Triggering

Applying Trigger Signals

The paragraphs above mention "applying a trigger signal". There are two ways to apply an acquisition start or a frame start trigger signal to the camera: via software or via hardware.

To apply trigger signals via software, you must first select the acquisition start or the frame start trigger and then indicate that software will be used as the source for the selected trigger signal. At that point, each time a Trigger Software command is executed, the selected trigger signal will be applied to the camera.

To apply trigger signals via hardware, you must first select the acquisition start or the frame start trigger and indicate that input line 1 will be used as the source for the selected trigger signal. At that point, each time a proper electrical signal is applied to input line 1, an occurrence of the selected trigger signal will be recognized by the camera.

The Trigger Selector

The concept of the "trigger selector" is very important to understand when working with the acquisition start and frame start triggers. Many of the parameter settings and the commands that apply to the triggers have names that are not specific to a particular type of trigger, for example, the acquisition start trigger has a mode setting and the frame start trigger has a mode setting. But in Basler pylon there is a single parameter, the Trigger Mode parameter, that is used to set the mode for both of these triggers. Also, the Trigger Software command mentioned earlier can be executed for either the acquisition start trigger or the frame start trigger. So if you want to set the Trigger Mode or execute a Trigger Software command for the acquisition start trigger rather than the frame start trigger, how do you do it? The answer is, by using the Trigger Selector parameter. Whenever you want to work with a specific type of trigger, your first step is to set the Trigger Selector parameter to the trigger you want to work with (either the acquisition start trigger or the frame start trigger). At that point, the changes you make to the Trigger Mode, Trigger Source, etc., will be applied to the selected trigger only.

Exposure Time Control

As mentioned earlier, when a frame start trigger signal is applied to the camera, the camera will begin to acquire a frame. A critical aspect of frame acquisition is how long the pixels in the camera's sensor will be exposed to light during the frame acquisition.

If the camera is set for software frame start triggering, the exposure time parameters will determine the exposure time for each frame.

If the camera is set for hardware frame start triggering, there are two modes of operation: "timed" and "trigger width". With the "timed" mode, the exposure time parameters will determine the exposure time for each frame. With the "trigger width" mode, the way that you manipulate the rise and fall of the hardware signal will determine the exposure time. The "trigger width" mode is especially useful if you want to change the exposure time from frame to frame.

7.3 Acquisition Start and Stop Commands and the Acquisition Mode (Legacy and Standard Mode)

Executing an Acquisition Start command prepares the camera to acquire frames. You must execute an Acquisition Start command before you can begin acquiring frames.

Executing an Acquisition Stop command terminates the camera's ability to acquire frames. When the camera receives an Acquisition stop command:

- If the camera is not in the process of acquiring a frame, its ability to acquire frames will be terminated immediately.
- If the camera is in the process of acquiring a frame, the frame acquisition process will be allowed to finish and the camera's ability to acquire new frames will be terminated.

The camera's Acquisition Mode parameter has two settings: single frame and continuous. The use of Acquisition Start and Acquisition Stop commands and the camera's Acquisition Mode parameter setting are related.

If the camera's Acquisition Mode parameter is set for single frame, after an Acquisition Start command has been executed, a single frame can be acquired. When acquisition of one frame is complete, the camera will execute an Acquisition Stop command internally and will no longer be able to acquire frames. To acquire another frame, you must execute a new Acquisition Start command.

If the camera's Acquisition Mode parameter is set for continuous frame, after an Acquisition Start command has been executed, frame acquisition can be triggered as desired. Each time a frame trigger is applied while the camera is in a "waiting for frame trigger" acquisition status, the camera will acquire and transmit a frame. The camera will retain the ability to acquire frames until an Acquisition Stop command is executed. Once the Acquisition Stop command is received, the camera will no longer be able to acquire frames.

Setting the Acquisition Mode and Issuing Start/Stop Commands

You can set the Acquisition Mode parameter value and you can execute Acquisition Start or Acquisition Stop commands from within your application software by using the Basler pylon API. The code snippet below illustrates using the API to set the Acquisition Mode parameter value and to execute an Acquisition Start command. Note that the snippet also illustrates setting several parameters regarding frame triggering. These parameters are discussed later in this chapter.

```
Camera.AcquisitionMode.SetValue( AcquisitionMode_SingleFrame );
Camera.TriggerSelector.SetValue( TriggerSelector_FrameStart );
Camera.TriggerMode.SetValue( TriggerMode_On );
Camera.TriggerSource.SetValue ( TriggerSource_Line1 );
Camera.TriggerActivation.SetValue( TriggerActivation_RisingEdge );
Camera.ExposureMode.SetValue( ExposureMode_Timed );
```

```
Camera.ExposureTimeAbs.SetValue( 3000 );  
Camera.AcquisitionStart.Execute( );
```

You can also use the Basler pylon Viewer application to easily set the parameters.

For more information about the pylon Viewer, see Section 3.1.1 on [page 43](#).



When the camera's acquisition mode is set to single frame, the maximum possible acquisition frame rate for a given AOI cannot be achieved. This is true because the camera performs a complete internal setup cycle for each single frame and because it cannot be operated with "overlapped" exposure (the scA750-60 does not allow "overlapped" exposure on principle).

To achieve the maximum possible acquisition frame rate set the camera for the continuous acquisition mode. And for all models except scA750-60 also use "overlapped" exposure.

For more information about overlapped exposure, see Section 7.9 on [page 124](#).

7.4 The Acquisition Start Trigger in Standard Mode



This section only applies if the standard mode is enabled for image acquisition control.

When the camera is started for the first time after delivery from the factory the image acquisition control will not be in standard mode but in legacy mode.

Use the legacy mode only if you want to operate the camera together with previous cameras not featuring the standard mode.

For more information about standard mode and legacy mode and how to set them, see Section 7.1 on [page 73](#).

The acquisition start trigger is used in conjunction with the frame start trigger to control the acquisition of frames. In essence, the acquisition start trigger is used as an enabler for the frame start trigger. Acquisition start trigger signals can be generated within the camera or may be applied externally as software or hardware acquisition start trigger signals.

When the acquisition start trigger is enabled, the camera's initial acquisition status is "waiting for acquisition start trigger". When the camera is in this acquisition status, it will ignore any frame start trigger signals it receives. If an acquisition start trigger signal is applied to the camera, it will exit the "waiting for acquisition start trigger" acquisition status and enter the "waiting for frame start trigger" acquisition status. In this acquisition status, the camera can react to frame start trigger signals and will begin to expose a frame each time a proper frame start trigger signal is applied.

A primary feature of the acquisition start trigger is that after an acquisition start trigger signal has been applied to the camera and the camera has entered the "waiting for frame start trigger" acquisition status, the camera will return to the "waiting for acquisition start trigger" acquisition status once a specified number of frame start triggers has been received. Before more frames can be acquired, a new acquisition start trigger signal must be applied to the camera to exit it from "waiting for acquisition start trigger" status. Note that this feature only applies when the Trigger Mode parameter for the acquisition start trigger is set to on. This feature is explained in greater detail in the following sections.

7.4.1 Acquisition Start Trigger Mode (Standard Mode)

The main parameter associated with the acquisition start trigger is the Trigger Mode parameter. The Trigger Mode parameter for the acquisition start trigger has two available settings: off and on.

For more information about the pylon Viewer, see Section 3.1.1 on [page 43](#).

7.4.1.1 Acquisition Start Trigger Mode = Off

When the Trigger Mode parameter for the acquisition start trigger is set to off, the camera will generate all required acquisition start trigger signals internally, and you do not need to apply acquisition start trigger signals to the camera.

7.4.1.2 Acquisition Start Trigger Mode = On

When the Trigger Mode parameter for the acquisition start trigger is set to on, the camera will initially be in a "waiting for acquisition start trigger" acquisition status and cannot react to frame start trigger signals. You must apply an acquisition start trigger signal to the camera to exit the camera from the "waiting for acquisition start trigger" acquisition status and enter the "waiting for frame start trigger" acquisition status. The camera can then react to frame start trigger signals and will continue to do so until the number of frame start trigger signals it has received is equal to the current Acquisition Frame Count parameter setting. The camera will then return to the "waiting for acquisition start trigger" acquisition status. In order to acquire more frames, you must apply a new acquisition start trigger signal to the camera to exit it from the "waiting for acquisition start trigger" acquisition status.

When the Trigger Mode parameter for the acquisition start trigger is set to on, you must select a source signal to serve as the acquisition start trigger. The Trigger Source parameter specifies the source signal. The available selections for the Trigger Source parameter are:

- Software - When the source signal is set to software, you apply an acquisition start trigger signal to the camera by executing an Trigger Software command for the acquisition start trigger on the host PC.
- Line 1 - When the source signal is set to line 1, you apply an acquisition start trigger signal to the camera by injecting an externally generated electrical signal (commonly referred to as a hardware trigger signal) into physical input line 1 on the camera.

If the Trigger Source parameter for the acquisition start trigger is set to Line 1, you must also set the Trigger Activation parameter. The available settings for the Trigger Activation parameter are:

- Rising Edge - specifies that a rising edge of the electrical signal will act as the acquisition start trigger.
- Falling Edge - specifies that a falling edge of the electrical signal will act as the acquisition start trigger.



When the Trigger Mode parameter for the acquisition start trigger is set to on, the camera's Acquisition Mode parameter must be set to continuous.



By default, input line 2 is selected as the source signal for the acquisition start trigger.

Keep in mind that the camera will only react to acquisition start triggers when it is in a "waiting for acquisition start trigger" acquisition status. For more information about the acquisition status, see Section 7.2 on [page 75](#) and Section 7.4 on [page 81](#).

7.4.2 Acquisition Frame Count (Standard Mode)

When the Trigger Mode parameter for the acquisition start trigger is set to on, you must set the value of the camera's Acquisition Frame Count parameter. The value of the Acquisition Frame Count can range from 1 to 255.

With acquisition start triggering on, the camera will initially be in a "waiting for acquisition start trigger" acquisition status. When in this acquisition status, the camera cannot react to frame start trigger signals. If an acquisition start trigger signal is applied to the camera, the camera will exit the "waiting for acquisition start trigger" acquisition status and will enter the "waiting for frame start trigger" acquisition status. It can then react to frame start trigger signals. When the camera has received a number of frame start trigger signals equal to the current Acquisition Frame Count parameter setting, it will return to the "waiting for acquisition start trigger" acquisition status. At that point, you must apply a new acquisition start trigger signal to exit the camera from the "waiting for acquisition start trigger" acquisition status.

7.4.3 Setting the Acquisition Start Trigger Mode and Related Parameters (Standard Mode)

You can set the Trigger Mode and Trigger Source parameters for the acquisition start trigger and also set the Acquisition Frame Count parameter value from within your application software by using the Basler pylon API.

The following code snippet illustrates using the API to set the Trigger Mode to on, the Trigger Source to software, and the Acquisition Frame Count to 5:

```
// Set the acquisition mode to continuous (the acquisition mode must  
// be set to continuous when acquisition start triggering is on)
```

```
Camera.AcquisitionMode.SetValue( AcquisitionMode_Continuous );

// Select the acquisition start trigger
Camera.TriggerSelector.SetValue( TriggerSelector_AcquisitionStart );
// Set the mode for the selected trigger
Camera.TriggerMode.SetValue( TriggerMode_On );
// Set the source for the selected trigger
Camera.TriggerSource.SetValue ( TriggerSource_Software );
// Set the acquisition frame count
Camera.AcquisitionFrameCount.SetValue( 5 );
```

The following code snippet illustrates using the API to set the Trigger Mode to on, the Trigger Source to line 1, the Trigger Activation to rising edge, and the Acquisition Frame Count to 5:

```
// Set the acquisition mode to continuous(the acquisition mode must
// be set to continuous when acquisition start triggering is on)
Camera.AcquisitionMode.SetValue( AcquisitionMode_Continuous );

// Select the acquisition start trigger
Camera.TriggerSelector.SetValue( TriggerSelector_AcquisitionStart );
// Set the mode for the selected trigger
Camera.TriggerMode.SetValue( TriggerMode_On );
// Set the source for the selected trigger
Camera.TriggerSource.SetValue ( TriggerSource_Line1 );
// Set the activation mode for the selected trigger to rising edge
Camera.TriggerActivation.SetValue( TriggerActivation_RisingEdge );
// Set the acquisition frame count
Camera.AcquisitionFrameCount.SetValue( 5 );
```

You can also use the Basler pylon Viewer application to easily set the parameters.

For more information about the pylon Viewer, see Section 3.1.1 on [page 43](#).

7.4.4 Using A Software Acquisition Start Trigger (Standard Mode)

7.4.4.1 Introduction

If the camera's Acquisition Start Trigger Mode parameter is set to on and the Acquisition Start Trigger Source parameter is set to software, you must apply a software acquisition start trigger signal to the camera before you can begin frame acquisition.

A software acquisition start trigger signal is applied by:

- Setting the Trigger Selector parameter to Acquisition Start.
- Executing a Trigger Software command.

The camera will initially be in a "waiting for acquisition start trigger" acquisition status. It cannot react to frame trigger signals when in this acquisition status. When a software acquisition start trigger signal is received by the camera, it will exit the "waiting for acquisition start trigger" acquisition status and will enter the "waiting for frame start trigger" acquisition status. It can then react to frame start trigger signals. When the number of frame start trigger signals received by the camera is equal to the current Acquisition Frame Count parameter setting, the camera will return to the "waiting for acquisition start trigger" acquisition status. When a new software acquisition start trigger signal is applied to the camera, it will again exit from the "waiting for acquisition start trigger" acquisition status and enter the "waiting for frame start trigger" acquisition status.

(Note that as long as the Trigger Selector parameter is set to Acquisition Start, a software acquisition start trigger will be applied to the camera each time a Trigger Software command is executed.)

7.4.4.2 Setting the Parameters Related to Software Acquisition Start Triggering and Applying a Software Trigger Signal

You can set all of the parameters needed to perform software acquisition start triggering from within your application software by using the Basler pylon API. The following code snippet illustrates using the API to set the parameter values and to execute the commands related to software acquisition start triggering with the camera set for continuous frame acquisition mode:

```
// Set the acquisition mode to continuous(the acquisition mode must
// be set to continuous when acquisition start triggering is on)
Camera.AcquisitionMode.SetValue( AcquisitionMode_Continuous );

// Select the acquisition start trigger
Camera.TriggerSelector.SetValue( TriggerSelector_AcquisitionStart );
// Set the mode for the selected trigger
Camera.TriggerMode.SetValue( TriggerMode_On );
// Set the source for the selected trigger
Camera.TriggerSource.SetValue ( TriggerSource_Software );
// Set the acquisition frame count
```

```
Camera.AcquisitionFrameCount.SetValue( 5 );
// Execute an acquisition start command to prepare for frame acquisition
Camera.AcquisitionStart.Execute( );
while ( ! finished )
{
    // Execute a trigger software command to apply a software acquisition
    // start trigger signal to the camera
    Camera.TriggerSoftware.Execute( );

    // Perform the required functions to parameterize the frame start
    // trigger, to trigger 5 frame starts, and to retrieve 5 frames here
}
Camera.AcquisitionStop.Execute( );

// Note: as long as the Trigger Selector is set to Acquisition Start, executing
// a Trigger Software command will apply a software acquisition start trigger
// signal to the camera
```

You can also use the Basler pylon Viewer application to easily set the parameters.

7.4.5 Using a Hardware Acquisition Start Trigger (Standard Mode)

7.4.5.1 Introduction

If the Trigger Mode parameter for the acquisition start trigger is set to on and the Trigger Source parameter is set to line 1, an externally generated electrical signal injected into physical input line 1 on the camera will act as the acquisition start trigger signal for the camera. This type of trigger signal is generally referred to as a hardware trigger signal or as an external acquisition start trigger signal (ExASTrig).

A rising edge or a falling edge of the ExASTrig signal can be used to trigger acquisition start. The Trigger Activation parameter is used to select rising edge or falling edge triggering.

When the Trigger Mode parameter is set to on, the camera will initially be in a "waiting for acquisition start trigger" acquisition status. It cannot react to frame start trigger signals when in this acquisition status. When the appropriate ExASTrig signal is applied to line 1 (e.g, a rising edge of the signal for rising edge triggering), the camera will exit the "waiting for acquisition start trigger" acquisition status and will enter the "waiting for frame start trigger" acquisition status. It can then react to frame start trigger signals. When the number of frame start trigger signals received by the camera is equal to the current Acquisition Frame Count parameter setting, the camera will return to the "waiting for acquisition start trigger" acquisition status. When a new ExASTrig signal is applied to line 1, the camera will again exit from the "waiting for acquisition start trigger" acquisition status and enter the "waiting for frame start trigger" acquisition status.

For more information about

- setting the camera for hardware acquisition start triggering and selecting the input line to receive the ExASTrig signal, see Section 7.4.5.2 on [page 87](#).
- the electrical requirements for input lines 1 and 2, see Section 5.6.1 on [page 56](#).

7.4.5.2 Setting the Parameters Related to Hardware Acquisition Start Triggering and Applying a Hardware Trigger Signal

You can set all of the parameters needed to perform hardware acquisition start triggering from within your application by using the Basler pylon API. The following code snippet illustrates using the API to set the parameter values required to enable rising edge hardware acquisition start triggering with line 1 as the trigger source:

```
// Set the acquisition mode to continuous(the acquisition mode must
// be set to continuous when acquisition start triggering is on)
Camera.AcquisitionMode.SetValue( AcquisitionMode_Continuous );

// Select the acquisition start trigger
Camera.TriggerSelector.SetValue( TriggerSelector_AcquisitionStart );
// Set the mode for the selected trigger
Camera.TriggerMode.SetValue( TriggerMode_On );
// Set the source for the selected trigger
Camera.TriggerSource.SetValue ( TriggerSource_Line1 );
// Set the activation mode for the selected trigger to rising edge
Camera.TriggerActivation.SetValue( TriggerActivation_RisingEdge );
// Set the acquisition frame count
Camera.AcquisitionFrameCount.SetValue( 5 );
// Execute an acquisition start command to prepare for frame acquisition
Camera.AcquisitionStart.Execute( );
    while ( ! finished )
    {
        // Apply a rising edge of the externally generated electrical signal
        // (ExASTrig signal) to input line 1 on the camera

        // Perform the required functions to parameterize the frame start
        // trigger, to trigger 5 frame starts, and to retrieve 5 frames here
    }
Camera.AcquisitionStop.Execute( );
```

You can also use the Basler pylon Viewer application to easily set the parameters.

For more information about the pylon Viewer, see Section 3.1.1 on [page 43](#).

7.5 The Frame Start Trigger in Standard Mode



This section only applies if the standard mode is enabled for image acquisition control.

When the camera is started for the first time after delivery from the factory the image acquisition control will not be in standard mode but in legacy mode.

Use the legacy mode only if you want to operate the camera together with previous cameras not featuring the standard mode.

For more information about standard mode and legacy mode and how to set them, see Section 7.1 on [page 73](#).

The frame start trigger is used to begin frame acquisition. Assuming that the camera is in a "waiting for frame start trigger" acquisition status, it will begin a frame acquisition each time it receives a frame start trigger signal.

Note that in order for the camera to be in a "waiting for frame start trigger" acquisition status:

- The Acquisition Mode parameter must be set correctly.
- A proper Acquisition Start command must be applied to the camera.
- A proper acquisition start trigger signal must be applied to the camera (if the Trigger Mode parameter for the acquisition start trigger is set to on).

For more information about

- the Acquisition Mode parameter and about Acquisition Start and Acquisition Stop commands, see Section 7.2 on [page 75](#) and Section 7.3 on [page 79](#).
- the acquisition start trigger, and about the acquisition status, see Section 7.2 on [page 75](#) and Section 7.4 on [page 81](#).

Referring to the use case diagrams that appear in Section 7.8 on [page 115](#) can help you understand the explanations of the frame start trigger.

7.5.1 Frame Start Trigger Mode (Standard Mode)

The main parameter associated with the frame start trigger is the Trigger Mode parameter. The Trigger Mode parameter for the frame start trigger has two available settings: off and on.

7.5.1.1 Frame Start Trigger Mode = Off

When the Frame Start Trigger Mode parameter is set to off, the camera will generate all required frame start trigger signals internally, and you do not need to apply frame start trigger signals to the camera.

With the trigger mode set to off, the way that the camera will operate the frame start trigger depends on the setting of the camera's Acquisition Mode parameter:

- If the Acquisition Mode parameter is set to single frame, the camera will automatically generate a single frame start trigger signal whenever it receives an Acquisition Start command.
- If the Acquisition Mode parameter is set to continuous frame, the camera will automatically begin generating frame start trigger signals when it receives an Acquisition Start command. The camera will continue to generate frame start trigger signals until it receives an Acquisition Stop command.

The rate at which the frame start trigger signals are generated may be determined by the camera's Acquisition Frame Rate Abs parameter:

- If the parameter is not enabled, the camera will generate frame start trigger signals at the maximum rate allowed with the current camera settings.
- If the parameter is enabled and is set to a value less than the maximum allowed frame rate with the current camera settings, the camera will generate frame start trigger signals at the rate specified by the parameter setting.
- If the parameter is enabled and is set to a value greater than the maximum allowed frame rate with the current camera settings, the camera will generate frame start trigger signals at the maximum allowed frame rate.

For information about setting the Acquisition Frame Rate Abs parameter, see Section 7.5.1.3 on [page 91](#).



Keep in mind that the camera will only react to frame start triggers when it is in a "waiting for frame start trigger" acquisition status. For more information about the acquisition status, see Section 7.2 on [page 75](#) and Section 7.4 on [page 81](#).

Exposure Time Control with the Frame Start Trigger Off

When the Trigger Mode parameter for the frame start trigger is set to off, the exposure time for each frame acquisition is determined by the value of the camera's Exposure Time Abs parameter.

For more information about the camera's Exposure Time Abs parameter, see Section 7.7 on [page 112](#).

7.5.1.2 Frame Start Trigger Mode = On

When the Trigger Mode parameter for the frame start trigger is set to on, you must apply a frame start trigger signal to the camera each time you want to begin a frame acquisition.



Do not trigger frame acquisition at a rate that

- exceeds the maximum allowed for the current camera settings. If you apply frame start trigger signals to the camera when it is not ready to receive them, the signals will be ignored. For more information about determining the maximum allowed frame rate, see Section 7.13 on [page 139](#) and Section 7.14 on [page 144](#).
- exceeds the host computer's capacity limits for data transfer or storage or both. If you try to acquire more images than the host computer is able to process, frames may be dropped. For more information about bandwidth optimization, see the *Installation and Setup Guide for Cameras Used with Basler pylon for Windows* (AW000611).

The Trigger Source parameter specifies the source signal that will act as the frame start trigger signal. The available selections for the Trigger Source parameter are:

- Software - When the source signal is set to software, you apply a frame start trigger signal to the camera by executing a Trigger Software command for the frame start trigger on the host PC.
- Line 1 - When the source signal is set to line 1, you apply a frame start trigger signal to the camera by injecting an externally generated electrical signal (commonly referred to as a hardware trigger signal) into physical input line 1 on the camera.

If the Trigger Source parameter is set to Line 1, you must also set the Trigger Activation parameter. The available settings for the Trigger Activation parameter are:

- Rising Edge - specifies that a rising edge of the electrical signal will act as the frame start trigger.
- Falling Edge - specifies that a falling edge of the electrical signal will act as the frame start trigger.

For more information about

- using a software trigger to control frame acquisition start, see Section 7.4.4 on [page 85](#).
- using a hardware trigger to control frame acquisition start, see Section 7.4.5 on [page 86](#).



By default, input line 1 is selected as the source signal for the frame start trigger. Keep in mind that the camera will only react to frame start triggers when it is in a "waiting for frame start trigger" acquisition status. For more information about the acquisition status, see Section 7.2 on [page 75](#) and Section 7.4 on [page 81](#).

Exposure Time Control with the Frame Start Trigger On

When the Trigger Mode parameter for the frame start trigger is set to on and the Trigger Source parameter is set to software, the exposure time for each frame acquisition is determined by the camera's exposure time parameters.

When the Trigger Mode parameter is set to on and the Trigger Source parameter is set to one of the input lines, the exposure time for each frame acquisition can be controlled with the exposure time parameters or it can be controlled by manipulating the hardware trigger signal.

For more information about

- controlling exposure time when using a software trigger, see Section 7.4.4 on [page 85](#).
- controlling exposure time when using a hardware trigger, see Section 7.4.5 on [page 86](#).
- about exposure time parameters, see Section 7.7 on [page 112](#).

7.5.1.3 Setting the Frame Start Trigger Mode and Related Parameters

You can set the Trigger Mode and related parameter values for the frame start trigger from within your application software by using the Basler pylon API. If your settings make it necessary, you can also set the Trigger Source parameter.

The following code snippet illustrates using the API to set the Trigger Mode for the frame start trigger to on and the Trigger Source to input line 1:

```
// Select the frame start trigger
Camera.TriggerSelector.SetValue( TriggerSelector_FrameStart );
// Set the mode for the selected trigger
Camera.TriggerMode.SetValue( TriggerMode_On );
// Set the source for the selected trigger
Camera.TriggerSource.SetValue ( TriggerSource_Line1 );
```

The following code snippet illustrates using the API to set the Acquisition Mode to continuous, the Trigger Mode to off, and the Acquisition Frame Rate to 60:

```
// Set the acquisition mode to continuous frame
Camera.AcquisitionMode.SetValue( AcquisitionMode_Continuous );
// Select the frame start trigger
Camera.TriggerSelector.SetValue( TriggerSelector_FrameStart );
// Set the mode for the selected trigger
Camera.TriggerMode.SetValue( TriggerMode_Off );
// Set the exposure time
Camera.ExposureTimeAbs.SetValue( 3000 );
// Enable the acquisition frame rate parameter and set the frame rate. (Enabling
// the acquisition frame rate parameter allows the camera to control the frame
// rate internally.)
```

```
Camera.AcquisitionFrameRateEnable.SetValue( true );  
Camera.AcquisitionFrameRateAbs.SetValue( 60.0 );  
// Start frame capture  
Camera.AcquisitionStart.Execute( );
```

You can also use the Basler pylon Viewer application to easily set the parameters.

For more information about the pylon Viewer, see Section 3.1.1 on [page 43](#).

7.5.2 Using a Software Frame Start Trigger (Standard Mode)

7.5.2.1 Introduction

If the Trigger Mode parameter for the frame start trigger is set to on and the Trigger Source parameter is set to software, you must apply a software frame start trigger signal to the camera to begin each frame acquisition. Assuming that the camera is in a "waiting for frame start trigger" acquisition status, frame exposure will start when the software frame start trigger signal is received by the camera. Figure 41 illustrates frame acquisition with a software frame start trigger signal.

When the camera receives a software trigger signal and begins exposure, it will exit the "waiting for frame start trigger" acquisition status because at that point, it cannot react to a new frame start trigger signal. As soon as the camera is capable of reacting to a new frame start trigger signal, it will automatically return to the "waiting for frame start trigger" acquisition status.

When you are using a software trigger signal to start each frame acquisition, the camera's Exposure Mode parameter must be set to timed. The exposure time for each acquired frame will be determined by the value of the camera's exposure time parameters.

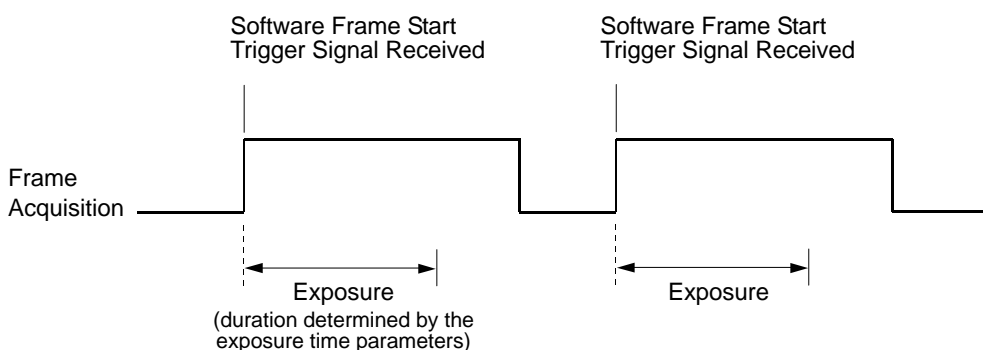


Fig. 41: Frame Acquisition with a Software Frame Start Trigger

7.5.2.2 Setting the Parameters Related to Software Frame Start Triggering and Applying a Software Trigger Signal

You can set all of the parameters needed to perform software frame start triggering from within your application software by using the Basler pylon API. The following code snippet illustrates using the API to set the parameter values and to execute the commands related to software frame start triggering with the camera set for continuous frame acquisition mode. In this example, the trigger mode for the acquisition start trigger will be set to off:

```
// Set the acquisition mode to continuous frame
Camera.AcquisitionMode.SetValue( AcquisitionMode_Continuous );
// Select the acquisition start trigger
Camera.TriggerSelector.SetValue( TriggerSelector_AcquisitionStart );
// Set the mode for the selected trigger
Camera.TriggerMode.SetValue( TriggerMode_Off );
// Disable the acquisition frame rate parameter (this will disable the camera's
// internal frame rate control and allow you to control the frame rate with
// software frame start trigger signals within the limits imposed by other
// parameter settings).
Camera.AcquisitionFrameRateEnable.SetValue( false );
// Select the frame start trigger
Camera.TriggerSelector.SetValue( TriggerSelector_FrameStart );
// Set the mode for the selected trigger
Camera.TriggerMode.SetValue( TriggerMode_On );
// Set the source for the selected trigger
Camera.TriggerSource.SetValue ( TriggerSource_Software );
// Set for the timed exposure mode
Camera.ExposureMode.SetValue( ExposureMode_Timed );
// Set the exposure time
Camera.ExposureTimeAbs.SetValue( 3000 );
// Execute an acquisition start command to prepare for frame acquisition
Camera.AcquisitionStart.Execute( );
while ( ! finished )
{
// Execute a Trigger Software command to apply a frame start
// trigger signal to the camera
Camera.TriggerSoftware.Execute( );
// Retrieve acquired frame here
}
    Camera.AcquisitionStop.Execute( );

// Note: as long as the Trigger Selector is set to FrameStart, executing
// a Trigger Software command will apply a software frame start trigger
// signal to the camera
```

You can also use the Basler pylon Viewer application to easily set the parameters.

For more information about the pylon Viewer, see Section 3.1.1 on [page 43](#).

7.5.3 Using a Hardware Frame Start Trigger (Standard Mode)

7.5.3.1 Introduction

If the Trigger Mode parameter for the frame start trigger is set to on and the Trigger Source parameter is set to e.g. input line 1, an externally generated electrical signal applied to input line 1 on the camera will act as the frame start trigger signal for the camera. This type of trigger signal is generally referred to as a hardware trigger signal or as an external frame start trigger signal (ExFSTrig).

A rising edge or a falling edge of the ExFSTrig signal can be used to trigger frame acquisition. The Trigger Activation parameter is used to select rising edge or falling edge triggering.

Assuming that the camera is in a "waiting for frame start trigger" acquisition status, frame acquisition will start whenever the appropriate edge transition is received by the camera.

When the camera receives a hardware trigger signal and begins exposure, it will exit the "waiting for frame start trigger" acquisition status because at that point, it cannot react to a new frame start trigger signal. As soon as the camera is capable of reacting to a new frame start trigger signal, it will automatically return to the "waiting for frame start trigger" acquisition status.

When the camera is operating under control of an ExFSTrig signal, the period of the ExFSTrig signal will determine the rate at which the camera is acquiring frames:

$$\frac{1}{\text{ExFSTrig period in seconds}} = \text{Frame Rate}$$

For example, if you are operating a camera with an ExFSTrig signal period of 20 ms (0.020 s):

$$\frac{1}{0.020} = 50 \text{ fps}$$

So in this case, the frame rate is 50 fps.

For more information about

- setting the camera for hardware acquisition start triggering and selecting the input line to receive the ExFSTrig signal, see Section 7.4.5.2 on [page 87](#).
- the electrical requirements for input lines 1 and 2, see Section 5.6.1 on [page 56](#).
- determining the maximum allowed frame rate, see Section 7.13 on [page 139](#) and Section 7.14 on [page 144](#).

7.5.3.2 Exposure Modes

If you are triggering the start of frame acquisition with an externally generated frame start trigger (ExFSTrig) signal, two exposure modes are available: timed and trigger width.

Timed Exposure Mode

When timed mode is selected, the exposure time for each frame acquisition is determined by the camera's exposure time parameters. If the camera is set for rising edge triggering, the exposure time starts when the ExFSTrig signal rises. If the camera is set for falling edge triggering, the exposure time starts when the ExFSTrig signal falls. The following figure illustrates timed exposure with the camera set for rising edge triggering.

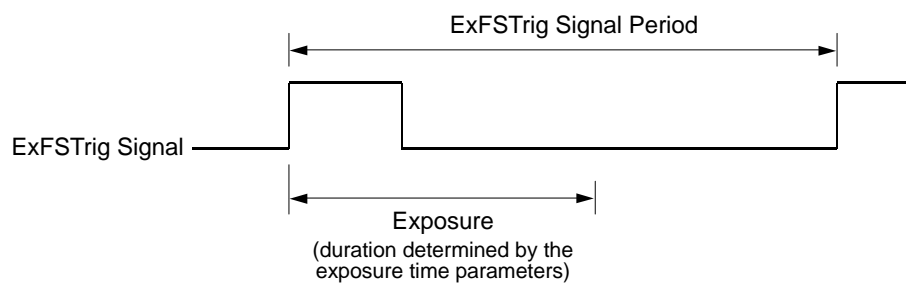


Fig. 42: Timed Exposure with Rising Edge Triggering

Note that if you attempt to trigger a new exposure start while the previous exposure is still in progress, the trigger signal will be ignored, and a Frame Start Overtrigger event will be generated.

This situation is illustrated below for rising edge triggering.

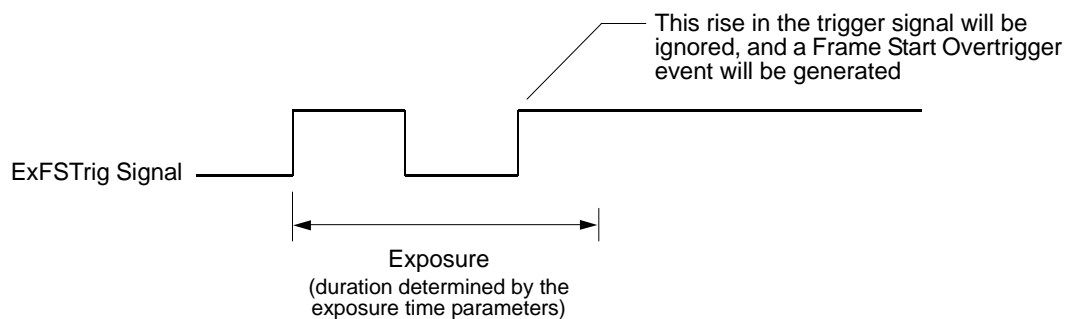


Fig. 43: Overtriggering with Timed Exposure

For more information about

- the Frame Start Overtrigger event, see Section 9.16 on [page 231](#).
- the camera's exposure time parameters, see Section 7.7 on [page 112](#).

Trigger Width Exposure Mode

When trigger width exposure mode is selected, the length of the exposure for each frame acquisition will be directly controlled by the ExFSTrig signal. If the camera is set for rising edge triggering, the exposure time begins when the ExFSTrig signal rises and continues until the ExFSTrig signal falls. If the camera is set for falling edge triggering, the exposure time begins when the ExFSTrig signal falls and continues until the ExFSTrig signal rises. Figure 44 illustrates trigger width exposure with the camera set for rising edge triggering.

Trigger width exposure is especially useful if you intend to vary the length of the exposure time for each captured frame.

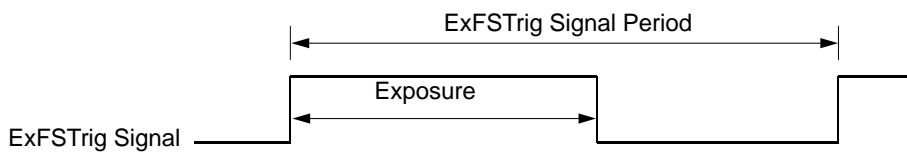


Fig. 44: Trigger Width Exposure with Rising Edge Triggering

When you operate the camera in trigger width exposure mode, you must also use the camera's exposure time parameters to set an exposure time. This parameter setting will be used by the camera to operate the Trigger Ready signal.

You should adjust the exposure setting to represent the shortest exposure time you intend to use. For example, assume that you will be using trigger width exposure mode and that you intend to use the ExFSTrig signal to vary the exposure time in a range from 3000 μs to 5500 μs . In this case you would use the exposure setting to set the exposure time to 3000 μs .

For more information about

- the Trigger Ready signal, see Section 7.11.3 on [page 128](#) and Section 7.11.4 on [page 131](#).
- the camera's exposure time parameters, see Section 7.7 on [page 112](#).

7.5.3.3 Frame Start Trigger Delay

The trigger delay feature lets you specify a delay (in microseconds) that will be applied between the receipt of a hardware frame start trigger and when the trigger will become effective.



The trigger delay will not operate if the Trigger Mode parameter for frame start is set to off or if you are using a software frame start trigger.

For more information about the trigger delay feature and how to use it, see Section 9.14 on [page 227](#).

7.5.3.4 Setting the Parameters Related to Hardware Frame Start Triggering and Applying a Hardware Trigger Signal

You can set all of the parameters needed to perform hardware frame start triggering from within your application by using the Basler pylon API. The following code snippet illustrates using the API to set the camera for single frame acquisition mode with the trigger mode for the acquisition start trigger set to off. We will use the timed exposure mode with input line 1 as the trigger source and with rising edge triggering. In this example, we will use a trigger delay:

```
// Set the acquisition mode to single frame
Camera.AcquisitionMode.SetValue( AcquisitionMode_SingleFrame );
// Select the acquisition start trigger
Camera.TriggerSelector.SetValue( TriggerSelector_AcquisitionStart );
// Set the mode for the selected trigger
Camera.TriggerMode.SetValue( TriggerMode_Off );
// Select the frame start trigger
Camera.TriggerSelector.SetValue( TriggerSelector_FrameStart );
// Set the mode for the selected trigger
Camera.TriggerMode.SetValue( TriggerMode_On );
// Set the source for the selected trigger
Camera.TriggerSource.SetValue ( TriggerSource_Line1 );
// Set the trigger activation mode to rising edge
Camera.TriggerActivation.SetValue( TriggerActivation_RisingEdge );
// Set the trigger delay for one millisecond (1000us == 1ms == 0.001s)
double TriggerDelay_us = 1000.0;
Camera.TriggerDelayAbs.SetValue( TriggerDelay_us );
// Set for the timed exposure mode
Camera.ExposureMode.SetValue( ExposureMode_Timed );
// Set the exposure time
Camera.ExposureTimeAbs.SetValue( 3000 );
// Execute an acquisition start command to prepare for frame acquisition
```

```

Camera.AcquisitionStart.Execute( );

// Frame acquisition will start when the externally generated
// frame start trigger signal (ExFSTrig signal) goes high

```

The following code snippet illustrates using the API to set the parameter values and execute the commands related to hardware frame start triggering with the camera set for continuous frame acquisition mode and the trigger mode for the acquisition start trigger set to off. We will use the trigger width exposure mode with input line 1 as the trigger source and with rising edge triggering:

```

// Set the acquisition mode to continuous frame
Camera.AcquisitionMode.SetValue( AcquisitionMode_Continuous );
// Select the acquisition start trigger
Camera.TriggerSelector.SetValue( TriggerSelector_AcquisitionStart );
// Set the mode for the selected trigger
Camera.TriggerMode.SetValue( TriggerMode_Off );
// Disable the acquisition frame rate parameter (this will disable the camera's
// internal frame rate control and allow you to control the frame rate with
// external frame start trigger signals)
Camera.AcquisitionFrameRateEnable.SetValue( false );
// Select the frame start trigger
Camera.TriggerSelector.SetValue( TriggerSelector_FrameStart );
// Set the mode for the selected trigger
Camera.TriggerMode.SetValue( TriggerMode_On );
// Set the source for the selected trigger
Camera.TriggerSource.SetValue ( TriggerSource_Line1 );
// Set the trigger activation mode to rising edge
Camera.TriggerActivation.SetValue( TriggerActivation_RisingEdge );
// Set for the trigger width exposure mode
Camera.ExposureMode.SetValue( ExposureMode_TriggerWidth );
// Set the shortest exposure time -
// the shortest exposure time we plan to use is 1500 us
Camera.ExposureTimeAbs.SetValue( 1500 );
// Prepare for frame acquisition here
    Camera.AcquisitionStart.Execute( );
    while ( ! finished )
    {
        // Frame acquisition will start each time the externally generated
        // frame start trigger signal (ExFSTrig signal) goes high

        // Retrieve the captured frames
    }
    Camera.AcquisitionStop.Execute( );

```

You can also use the Basler pylon Viewer application to easily set the parameters.

For more information about the pylon Viewer, see Section 3.1.1 on [page 43](#).

7.6 The Acquisition Start Trigger in Legacy Mode



This section only applies if the legacy mode is enabled for image acquisition control.

Use the legacy mode only if you want to operate the camera together with previous cameras not featuring the standard mode. Otherwise, we most strongly recommend enabling the standard mode.

When the camera is started for the first time after delivery from the factory the image acquisition control will be in legacy mode.



The acquisition start trigger of the legacy mode is called "frame start trigger" in the standard mode.

The acquisition start trigger of the standard mode is not available in the legacy mode.

For more information about standard mode and legacy mode and how to set them, see Section 7.1 on [page 73](#).

The acquisition start trigger is used to begin frame acquisition. Assuming that the camera is in a "waiting for acquisition start trigger" acquisition status, it will begin a frame acquisition each time it receives an acquisition start trigger signal.

Note that in order for the camera to be in a "waiting for acquisition start trigger" acquisition status:

- The Acquisition Mode parameter must be set correctly.
- A proper Acquisition Start command must be applied to the camera.

For more information about the Acquisition Mode parameter and about Acquisition Start and Acquisition Stop commands, see Section 7.2 on [page 75](#) and Section 7.3 on [page 79](#).

Referring to the use case diagrams that appear in Section 7.8 on [page 115](#) can help you understand the explanations of the acquisition start trigger. Remember, however, that the diagrams apply to the standard mode. Accordingly, the acquisition start trigger shown in the diagrams is not available in legacy mode and the frame start trigger shown is equivalent to the acquisition start trigger in legacy mode.

7.6.1 Acquisition Start Trigger Mode (Legacy Mode)

The main parameter associated with the acquisition start trigger is the Trigger Mode parameter. The Trigger Mode parameter for the acquisition start trigger has two available settings: off and on.

7.6.1.1 Acquisition Start Trigger Mode = Off

When the Acquisition Start Trigger Mode parameter is set to off, the camera will generate all required acquisition start trigger signals internally, and you do not need to apply acquisition start trigger signals to the camera.

With the trigger mode set to off, the way that the camera will operate the acquisition start trigger depends on the setting of the camera's Acquisition Mode parameter:

- If the Acquisition Mode parameter is set to single frame, the camera will automatically generate a single acquisition start trigger signal whenever it receives an Acquisition Start command.
- If the Acquisition Mode parameter is set to continuous frame, the camera will automatically begin generating acquisition start trigger signals when it receives an Acquisition Start command. The camera will continue to generate acquisition start trigger signals until it receives an Acquisition Stop command.

The rate at which the acquisition start trigger signals are generated will be determined by the camera's Acquisition Frame Rate Abs parameter:

- If the parameter is not enabled, the camera will generate acquisition start trigger signals at the maximum rate allowed with the current camera settings.
- If the parameter is enabled and is set to a value less than the maximum allowed frame rate with the current camera settings, the camera will generate acquisition start trigger signals at the rate specified by the parameter setting.
- If the parameter is enabled and is set to a value greater than the maximum allowed frame rate with the current camera settings, the camera will generate acquisition start trigger signals at the maximum allowed frame rate.

For information about setting the Acquisition Frame Rate Abs parameter, see Section 7.6.1.3 on [page 102](#).



Keep in mind that the camera will only react to acquisition start triggers when it is in a "waiting for acquisition start trigger" acquisition status. For more information about the acquisition status, see Section 7.2 on [page 75](#) and Section 7.4 on [page 81](#).

Exposure Time Control with the Acquisition Start Trigger Mode Off

When the Trigger Mode parameter for the acquisition start trigger is set to off, the exposure time for each frame acquisition is determined by the camera's exposure time parameters.

For more information about the camera's exposure time parameters, see Section 7.7 on [page 112](#).

7.6.1.2 Acquisition Start Trigger Mode = On

When the Trigger Mode parameter for the acquisition start trigger is set to on, you must apply an acquisition start trigger signal to the camera each time you want to begin a frame acquisition. The Trigger Source parameter specifies the source signal that will act as the acquisition start trigger signal. The available selections for the Trigger Source parameter are:

- Software - When the source signal is set to software, you apply an acquisition start trigger signal to the camera by executing a Trigger Software command for the acquisition start trigger on the host PC.
- Line 1 or 2 - When the source signal is set e.g. to line 1, you apply an acquisition start trigger signal to the camera by injecting an externally generated electrical signal (commonly referred to as a hardware trigger signal) into physical input line 1 on the camera.

If the Trigger Source parameter is set to Line 1 or Line 2, you must also set the Trigger Activation parameter. The available settings for the Trigger Activation parameter are:

- Rising Edge - specifies that a rising edge of the electrical signal will act as the acquisition start trigger.
- Falling Edge - specifies that a falling edge of the electrical signal will act as the acquisition start trigger.

For more information about using a software trigger to control frame acquisition start, see Section 7.4.4 on [page 85](#).

For more information about using a hardware trigger to control frame acquisition start, see Section 7.4.5 on [page 86](#).



By default, input line 1 is selected as the source signal for the acquisition start trigger.

Keep in mind that the camera will only react to acquisition start triggers when it is in a "waiting for acquisition start trigger" acquisition status. For more information about the acquisition status, see Section 7.2 on [page 75](#) and Section 7.4 on [page 81](#).

Exposure Time Control with the Acquisition Start Trigger Mode On

When the Trigger Mode parameter for the acquisition start trigger is set to on and the Trigger Source parameter is set to software, the exposure time for each frame acquisition is determined by the camera's exposure time parameters.

When the Trigger Mode parameter is set to on and the Trigger Source parameter is set to e.g. input line 1, the exposure time for each frame acquisition can be controlled with the exposure time parameters or it can be controlled by manipulating the hardware trigger signal.

For more information about

- controlling exposure time when using a software trigger, see Section 7.4.4 on [page 85](#).
- controlling exposure time when using a hardware trigger, see Section 7.4.5 on [page 86](#).
- exposure time parameters, see Section 7.7 on [page 112](#).

7.6.1.3 Setting the Acquisition Start Trigger Mode and Related Parameters

You can set the Trigger Mode and related parameter values for the frame start trigger from within your application software by using the Basler pylon API. If your settings make it necessary, you can also set the Trigger Source parameter.

The following code snippet illustrates using the API to set the Trigger Mode for the acquisition start trigger to on and the Trigger Source to input line 1:

```
// Select the acquisition start trigger
Camera.TriggerSelector.SetValue( TriggerSelector_AcquisitionStart );
// Set the mode for the selected trigger
Camera.TriggerMode.SetValue( TriggerMode_On );
// Set the source for the selected trigger
Camera.TriggerSource.SetValue ( TriggerSource_Line1 );
```

The following code snippet illustrates using the API to set the Acquisition Mode to continuous, the Trigger Mode to off, and the Acquisition Frame Rate to 60:

```
// Set the acquisition mode to continuous frame
Camera.AcquisitionMode.SetValue( AcquisitionMode_Continuous );
// Select the frame start trigger
Camera.TriggerSelector.SetValue( TriggerSelector_AcquisitionStart );
// Set the mode for the selected trigger
Camera.TriggerMode.SetValue( TriggerMode_Off );
// Set the exposure time
Camera.ExposureTimeAbs.SetValue( 3000 );
// Enable the acquisition frame rate parameter and set the frame rate. (Enabling
// the acquisition frame rate parameter allows the camera to control the frame
// rate internally.)
Camera.AcquisitionFrameRateEnable.SetValue( true );
```



```
Camera.AcquisitionFrameRateAbs.SetValue( 60.0 );  
// Start frame capture  
Camera.AcquisitionStart.Execute( );
```

For detailed information about using the pylon API, refer to the Basler pylon Programmer's Guide and API Reference.

You can also use the Basler pylon Viewer application to easily set the parameters.

For detailed information about using the pylon API, refer to the Basler pylon Programmer's Guide and API Reference.

You can also use the Basler pylon Viewer application to easily set the parameters.

For more information about the pylon Viewer, see Section 3.1.1 on [page 43](#).

7.6.2 Using a Software Acquisition Start Trigger (Legacy Mode)

7.6.2.1 Introduction

If the Trigger Mode parameter for the acquisition start trigger is set to on and the Trigger Source parameter is set to software, you must apply a software acquisition start trigger signal to the camera to begin each frame acquisition. Assuming that the camera is in a "waiting for acquisition start trigger" acquisition status, frame exposure will start when the software acquisition start trigger signal is received by the camera. Figure 41 illustrates frame acquisition with a software acquisition start trigger signal.

When the camera receives a software trigger signal and begins exposure, it will exit the "waiting for acquisition start trigger" acquisition status because at that point, it cannot react to a new acquisition start trigger signal. As soon as the camera is capable of reacting to a new acquisition start trigger signal, it will automatically return to the "waiting for acquisition start trigger" acquisition status.

When you are using a software trigger signal to start each frame acquisition, the camera's Exposure Mode parameter must be set to timed. The exposure time for each acquired frame will be determined by the camera's exposure time parameters.

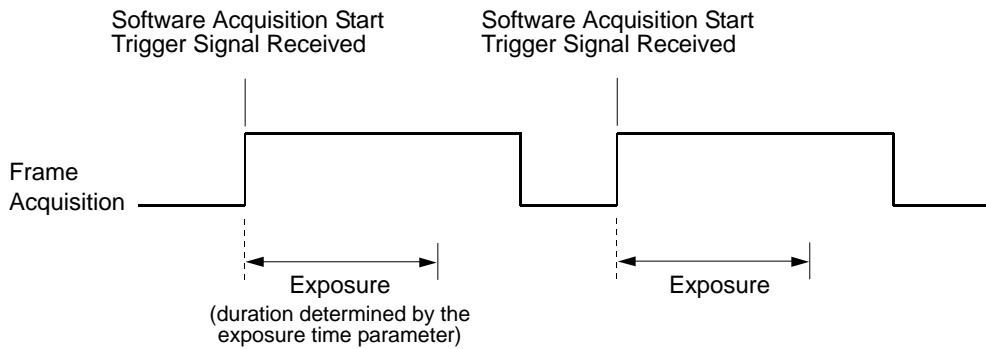


Fig. 45: Frame Acquisition with a Software Acquisition Start Trigger

When you are using a software trigger signal to start each frame acquisition, the frame rate will be determined by how often you apply a software trigger signal to the camera, and you should not attempt to trigger frame acquisition at a rate that exceeds the maximum allowed for the current camera settings. (There is a detailed explanation about the maximum allowed frame rate at the end of this chapter.) Software acquisition start trigger signals that are applied to the camera when it is not ready to receive them will be ignored.

Section 7.5.2.2 on [page 93](#) includes more detailed information about applying a software acquisition start trigger to the camera using Basler pylon.

For more information about

- determining the maximum allowed frame rate, see Section 7.13 on [page 139](#) and Section 7.14 on [page 144](#).
- exposure time parameters, see Section 7.7 on [page 112](#).

7.6.2.2 Setting the Parameters Related to Software Acquisition Start Triggering and Applying a Software Trigger Signal

You can set all of the parameters needed to perform software acquisition start triggering from within your application software by using the Basler pylon API. The following code snippet illustrates using the API to set the parameter values and to execute the commands related to software acquisition start triggering with the camera set for continuous frame acquisition mode:

```
// Set the acquisition mode to continuous frame
Camera.AcquisitionMode.SetValue( AcquisitionMode_Continuous );
// Select the acquisition start trigger
// Disable the acquisition frame rate parameter (this will disable the camera's
// internal frame rate control and allow you to control the frame rate with
// software frame start trigger signals)
Camera.AcquisitionFrameRateEnable.SetValue( false );
// Select the frame start trigger
Camera.TriggerSelector.SetValue( TriggerSelector_AcquisitionStart );
// Set the mode for the selected trigger
```

```
Camera.TriggerMode.SetValue( TriggerMode_On );
// Set the source for the selected trigger
Camera.TriggerSource.SetValue ( TriggerSource_Software );
// Set for the timed exposure mode
Camera.ExposureMode.SetValue( ExposureMode_Timed );
// Set the exposure time
Camera.ExposureTimeAbs.SetValue( 3000 );
// Execute an acquisition start command to prepare for frame acquisition
    Camera.AcquisitionStart.Execute( );
    while ( ! finished )
    {
        // Execute a Trigger Software command to apply an acquisition start
        // trigger signal to the camera
        Camera.TriggerSoftware.Execute( );
        // Retrieve acquired frame here
    }
    Camera.AcquisitionStop.Execute( );

// Note: as long as the Trigger Selector is set to AcquisitionStart, executing
// a Trigger Software command will apply a software acquisition start trigger
// signal to the camera
```

For detailed information about using the pylon API, refer to the Basler pylon Programmer's Guide and API Reference.

You can also use the Basler pylon Viewer application to easily set the parameters.

For more information about the pylon Viewer, see Section 3.1.1 on [page 43](#).

7.6.3 Using a Hardware Acquisition Start Trigger (Legacy Mode)

7.6.3.1 Introduction

If the Trigger Mode parameter for the acquisition start trigger is set to on and the Trigger Source parameter is set to e.g. input line 1, an externally generated electrical signal applied to input line 1 on the camera will act as the acquisition start trigger signal for the camera. This type of trigger signal is generally referred to as a hardware trigger signal or as an external acquisition start trigger signal (ExASTrig).

A rising edge or a falling edge of the ExASTrig signal can be used to trigger frame acquisition. The Trigger Activation parameter is used to select rising edge or falling edge triggering.

Assuming that the camera is in a "waiting for acquisition start trigger" acquisition status, frame acquisition will start whenever the appropriate edge transition is received by the camera.

When the camera receives a hardware trigger signal and begins exposure, it will exit the "waiting for acquisition start trigger" acquisition status because at that point, it cannot react to a new acquisition start trigger signal. As soon as the camera is capable of reacting to a new acquisition start trigger signal, it will automatically return to the "waiting for acquisition start trigger" acquisition status.

When the camera is operating under control of an ExASTrig signal, the period of the ExASTrig signal will determine the rate at which the camera is acquiring frames:

$$\frac{1}{\text{ExASTrig period in seconds}} = \text{Frame Rate}$$

For example, if you are operating a camera with an ExASTrig signal period of 20 ms (0.020 s):

$$\frac{1}{0.020} = 50 \text{ fps}$$

So in this case, the frame rate is 50 fps.



If you are triggering frame acquisition with an ExASTrig signal and you attempt to acquire frames at too high a rate, some of the acquisition trigger signals that you apply will be received by the camera when it is not in a "waiting for acquisition start trigger" acquisition status. The camera will ignore any acquisition start trigger signals that it receives when it is not "waiting for acquisition start trigger". (This situation is commonly referred to as "over triggering" the camera.

To avoid over triggering, you should not attempt to acquire frames at a rate that exceeds the maximum allowed with the current camera settings.

For more information about

- setting the camera for hardware acquisition start triggering and selecting the input line to receive the ExASTrig signal, see Section 7.6.3.4 on [page 110](#).
- the electrical requirements for input lines 1 and 2, see Section 5.6.1 on [page 56](#).
- determining the maximum allowed frame rate, see Section 7.13 on [page 139](#) and Section 7.14 on [page 144](#).

7.6.3.2 Exposure Modes

If you are triggering the start of frame acquisition with an externally generated acquisition start trigger (ExASTrig) signal, two exposure modes are available: timed and trigger width.

Timed Exposure Mode

When timed mode is selected, the exposure time for each frame acquisition is determined by the value of the camera's exposure time parameters. If the camera is set for rising edge triggering, the exposure time starts when the ExASTrig signal rises. If the camera is set for falling edge triggering, the exposure time starts when the ExASTrig signal falls. The following figure illustrates timed exposure with the camera set for rising edge triggering.

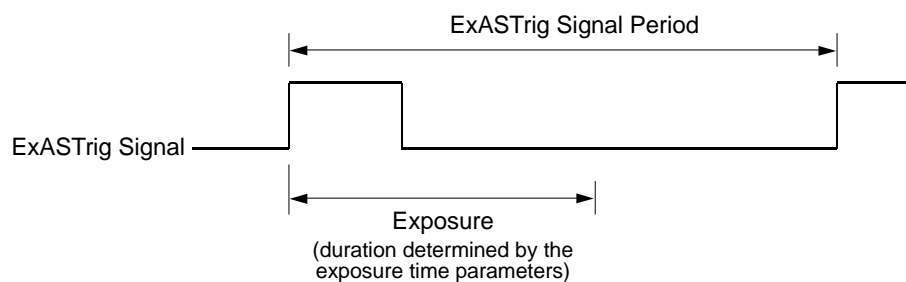


Fig. 46: Timed Exposure with Rising Edge Triggering

Note that if you attempt to trigger a new exposure start while the previous exposure is still in progress, the trigger signal will be ignored, and an Acquisition Start Overtrigger event will be generated. This situation is illustrated below for rising edge triggering.

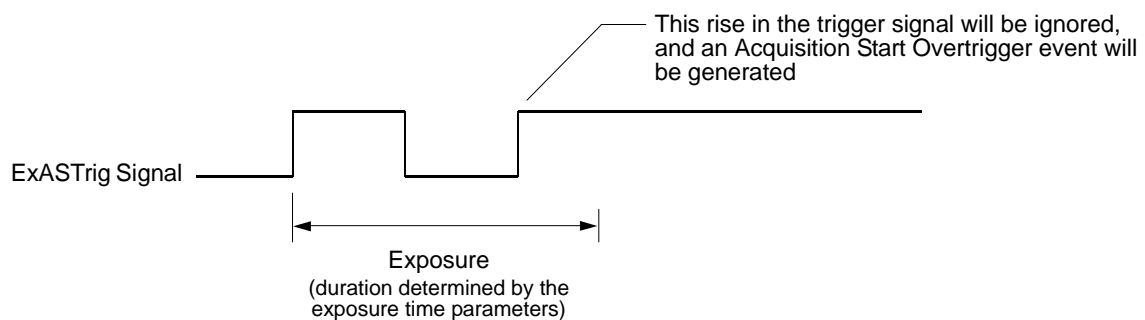


Fig. 47: Overtriggering with Timed Exposure

For more information about

- the Acquisition Start Overtrigger event, see Section 9.16 on [page 231](#).
- the camera's exposure time parameters, see Section 7.7 on [page 112](#).

Trigger Width Exposure Mode

When trigger width exposure mode is selected, the length of the exposure for each frame acquisition will be directly controlled by the ExASTrig signal. If the camera is set for rising edge triggering, the exposure time begins when the ExASTrig signal rises and continues until the ExASTrig signal falls. If the camera is set for falling edge triggering, the exposure time begins when the ExASTrig signal falls and continues until the ExASTrig signal rises. The following figure illustrates trigger width exposure with the camera set for rising edge triggering.

Trigger width exposure is especially useful if you intend to vary the length of the exposure time for each captured frame.

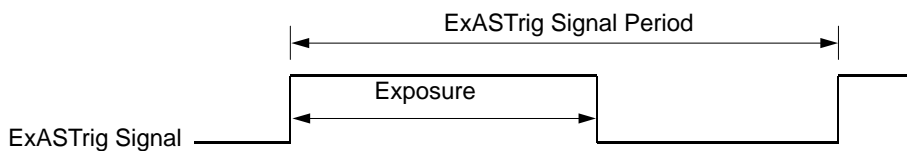


Fig. 48: Trigger Width Exposure with Rising Edge Triggering

When you operate the camera in trigger width exposure mode, you must use the camera's exposure time parameters to set an exposure time. This parameter setting will be used by the camera to operate the Trigger Ready signal.

You should adjust the exposure setting to represent the shortest exposure time you intend to use. For example, assume that you will be using trigger width exposure and that you intend to use the ExASTrig signal to vary the exposure time in a range from 3000 μs to 5500 μs . In this case you would use the exposure setting to set the exposure time to 3000 μs .

If you are using the trigger width exposure mode and the camera is operating with overlapped exposures, there is something you must keep in mind. If the action of the ExASTrig signal would end the current exposure while readout of the previously acquired image is still taking place, the camera will automatically continue the exposure until readout of the previous image is complete. This situation is illustrated in Figure 49 for rising edge operation. On the first cycle of the ExASTrig signal shown in the figure, the signal rises and falls while readout is taking place. Normally you would expect exposure to take place only when the ExASTrig signal is high. But since the signal falls while the previous frame is still reading out, the camera automatically extends exposure until the readout is complete. On the second cycle of the ExASTrig signal shown in the figure, the signal rises during previous frame readout, but falls after the readout is complete. This is a normal situation and exposure would be determined by the high time of the ExASTrig signal as you would expect.

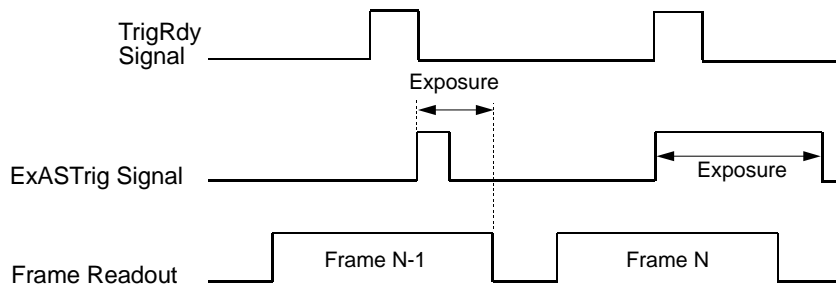


Fig. 49: Trigger Width Exposure Mode with Overlapped Exposure

You can set the exposure time parameter value and select an exposure mode from within your application software by using the pylon API. The following code snippets illustrate using the API to set the exposure time parameter and select the exposure mode:

```
// set for the timed exposure mode, set exposure time to 3000 µs
Camera.ExposureMode.SetValue( ExposureMode_Timed );

Camera.ExposureTimeAbs.SetValue( 3000 );
// set for the width exposure mode, set minimum exposure time to 3000 µs
Camera.ExposureMode.SetValue( ExposureMode_TriggerWidth );
Camera.ExposureTimeAbs.SetValue( 3000 );
```

For detailed information about using the pylon API, refer to the Basler pylon Programmer's Guide and API Reference.

You can also use the Basler pylon Viewer application to easily set the parameters.

For more information about the pylon Viewer, see Section 3.1.1 on [page 43](#).

7.6.3.3 Acquisition Start Trigger Delay

The trigger delay feature lets you specify a delay (in microseconds) that will be applied between the receipt of a hardware acquisition start trigger and when the trigger will become effective.



The trigger delay will not operate if the Trigger Mode parameter for acquisition start is set to off or if you are using a software acquisition start trigger.

For more information about the trigger delay feature and how to set it, see Section 9.14 on [page 227](#).

7.6.3.4 Setting the Parameters Related to Hardware Acquisition Start Triggering and Applying a Hardware Trigger Signal

You can set all of the parameters needed to perform hardware acquisition start triggering from within your application by using the Basler pylon API. The following code snippet illustrates using the API to set the camera for single frame acquisition mode.

We will use the timed exposure mode with input line 1 as the trigger source and with rising edge triggering. In this example, we will use a trigger delay:

```
// Set the acquisition mode to single frame
Camera.AcquisitionMode.SetValue( AcquisitionMode_SingleFrame );
// Select the acquisition start trigger
Camera.TriggerSelector.SetValue( TriggerSelector_AcquisitionStart );
// Set the mode for the selected trigger
Camera.TriggerMode.SetValue( TriggerMode_On );
// Set the source for the selected trigger
Camera.TriggerSource.SetValue ( TriggerSource_Line1 );
// Set the trigger activation mode to rising edge
Camera.TriggerActivation.SetValue( TriggerActivation_RisingEdge );
// Set the trigger delay for one millisecond (1000us == 1ms == 0.001s)
double TriggerDelay_us = 1000.0;
Camera.TriggerDelayAbs.SetValue( TriggerDelay_us );
// Set for the timed exposure mode
Camera.ExposureMode.SetValue( ExposureMode_Timed );
// Set the exposure time
Camera.ExposureTimeAbs.SetValue( 3000 );
// Execute an acquisition start command to prepare for frame acquisition
Camera.AcquisitionStart.Execute( );

// Frame acquisition will start when the externally generated
// acquisition start trigger signal (ExASTrig signal) goes high
```

The following code snippet illustrates using the API to set the parameter values and execute the commands related to hardware acquisition start triggering with the camera set for continuous frame acquisition mode.

We will use the trigger width exposure mode with input line 1 as the trigger source and with rising edge triggering:

```
// Set the acquisition mode to continuous frame
Camera.AcquisitionMode.SetValue( AcquisitionMode_Continuous );
// Disable the acquisition frame rate parameter (this will disable the camera's
// internal frame rate control and allow you to control the frame rate with
// external acquisition start trigger signals)
Camera.AcquisitionFrameRateEnable.SetValue( false );
// Select the acquisition start trigger
Camera.TriggerSelector.SetValue( TriggerSelector_AcquisitionStart );
// Set the mode for the selected trigger
Camera.TriggerMode.SetValue( TriggerMode_On );
```



```
// Set the source for the selected trigger
Camera.TriggerSource.SetValue ( TriggerSource_Line1 );
// Set the trigger activation mode to rising edge
Camera.TriggerActivation.SetValue( TriggerActivation_RisingEdge );
// Set for the trigger width exposure mode
Camera.ExposureMode.SetValue( ExposureMode_TriggerWidth );
// Prepare for frame acquisition here
    Camera.AcquisitionStart.Execute( );
    while ( ! finished )
    {
        // Frame acquisition will start each time the externally generated
        // acquisition start trigger signal (ExASTrig signal) goes high

        // Retrieve the captured frames
    }
    Camera.AcquisitionStop.Execute( );
```

For detailed information about using the pylon API, refer to the Basler pylon Programmer's Guide and API Reference.

You can also use the Basler pylon Viewer application to easily set the parameters.

For more information about the pylon Viewer, see Section 3.1.1 on [page 43](#).

7.7 Exposure Time Parameters

Many of the camera's image acquisition modes require you to specify an exposure time. There are two ways to set exposure time: by setting "raw" values or by setting an "absolute value". The two methods are described below. You can use whichever method you prefer to set the exposure time.

The exposure time must not be set below a minimum specified value. The minimum and maximum exposure time vary by camera model as shown in Table 12.

Camera Model	Minimum Allowed Exposure Time	Maximum Possible Exposure Time
scA640-70fm/fc	24 μ s	10000000 μ s
scA640-74fm/fc	24 μ s	10000000 μ s
scA640-120fm/fc	16 μ s	10000000 μ s
scA750-60fm/fc	124 μ s	126976 μ s
scA780-54fm/fc	26 μ s	10000000 μ s
scA1000-30fm/fc	32 μ s	10000000 μ s
scA1300-32fm/fc	22 μ s	10000000 μ s
scA1390-17fm/fc	34 μ s	10000000 μ s
scA1400-17fm/fc	38 μ s	10000000 μ s
scA1400-30fm/fc	28 μ s	10000000 μ s
scA1600-14fm/fc	31 μ s	10000000 μ s
scA1600-28fm/fc	31 μ s	10000000 μ s

Table 12: Minimum Allowed Exposure Time and Maximum Possible Exposure Time



Exposure time can not only be manually set (see below), but can also be automatically adjusted.

Exposure Auto is an auto function and the "automatic" counterpart to manually setting an "absolute" exposure time. The exposure auto function automatically adjusts the Auto Exposure Time Abs parameter value.

In contrast to the manually set "absolute" exposure time, the automatically adjusted "absolute" exposure time is not restricted to multiples of the current exposure time base. The automatic adjustment is not available when trigger width exposure mode is selected.

For more information about

- auto functions, see Section 9.11.1 on [page 210](#).
- the Exposure Auto function, see Section 9.11.3 on [page 219](#).

For information on parameter settings for obtaining the maximum possible exposure time, see Section 7.7.1 on [page 113](#).

7.7.1 Setting the Exposure Time Using "Raw" Settings

When exposure time is set using "raw" values, the exposure time will be determined by a combination of two elements. The first element is the value of the Exposure Time Raw parameter, and the second element is the Exposure Time Base. The exposure time is determined by the product of these two elements:

$$\text{Exposure Time} = (\text{Exposure Time Raw Parameter Value}) \times (\text{Exposure Time Base})$$

By default, the Exposure Time Base is fixed at 20 μs on all camera models except the scA750-60. On scA750-60 cameras, the default Exposure Time Base is 31 μs .

Typically, the exposure time is adjusted by setting only the Exposure Time Raw parameter. The Exposure Time Raw parameter value can range from 1 to 4095. So if the parameter value was set to 100 on an scA640-70 camera, for example, the exposure time will be 100 x 20 μs or 2000 μs .

Settings for Obtaining the Maximum Possible Exposure Time

On all camera models except the scA750-60, you can obtain the maximum possible exposure time (10000000 μs) by setting the Exposure Time Raw parameter value to 1 and the Exposure Time Base Abs value to 10000000 μs .

On scA750-60 cameras, you can obtain the maximum possible exposure time (126976 μs) by e.g. setting the exposure time raw parameter value to 2048 and the Exposure Time Base Abs value to 62 μs .

Changing the Exposure Time Base

Normally, the exposure time is adjusted by setting the value of the Exposure Time Raw parameter as explained above. However, if you require an exposure time that is longer than what you can achieve by changing the value of the Exposure Time Raw parameter alone, the Exposure Time Base Abs parameter can be used to change the exposure time base.

The Exposure Time Base Abs parameter value sets the exposure time base in μs and this parameter can be used to change the exposure time base.

On all camera models except the scA750-60, the default exposure time base is 20 μs and the time base can be changed in increments of 1 μs .

On scA750-60 cameras, the default exposure time base is 31 μs and the time base can be changed in increments of 31 μs .

You can set the Exposure Time Raw and Exposure Time Base Abs parameter values from within your application software by using the pylon API. The following code snippet illustrates using the API to set the parameter values:

```
Camera.ExposureMode.SetValue( ExposureMode_Timed );
Camera.ExposureTimeRaw.SetValue( 100 );

Camera.ExposureTimeBaseAbs.SetValue( 186 );
```

For detailed information about using the pylon API, refer to the Basler pylon Programmer's Guide and API Reference.

You can also use the Basler pylon Viewer application to easily set the parameters.

For more information about the pylon Viewer, see Section 3.1.1 on [page 43](#).

7.7.2 Setting the Exposure Time Using "Absolute" Settings

You can also set the exposure time by using an "absolute" value. This is accomplished by setting the Exposure Time Abs parameter. The units for setting this parameter are μs and the value can be set in increments of 1 μs .

When you use the Exposure Time Abs parameter to set the exposure time, the camera accomplishes the setting change by automatically changing the Exposure Time Raw parameter to achieve the value specified by your Exposure Time Abs setting. This leads to a limitation that you must keep in mind if you use Exposure Time Abs parameter to set the exposure time. That is, you must set the Exposure Time Abs parameter to a value that is equivalent to a setting you could achieve by using the Exposure Time Raw parameter with the current Exposure Time Base parameter. For example, if the time base was currently set to 62 μs , you could use the Exposure Time Base Abs parameter to set the exposure to 62 μs , 124 μs , 186 μs , etc.

Note that if you set the Exposure Time Abs parameter to a value that you could not achieve by using the Exposure Time Raw and Exposure Time Base parameters, the camera will automatically change the setting for the Exposure Time Abs parameter to the nearest achievable value.

You should also be aware that if you change the exposure time using the raw settings, the Exposure Time Abs parameter will automatically be updated to reflect the new exposure time.

Setting the Absolute Exposure Time Parameter

You can set the Exposure Time Abs parameter value from within your application software by using the pylon API. The following code snippet illustrates using the API to set the parameter value:

```
Camera.ExposureTimeAbs.SetValue( 124 );  
double resultingExpTime = Camera.ExposureTimeAbs.GetValue( );
```

For detailed information about using the pylon API, refer to the Basler pylon Programmer's Guide and API Reference.

You can also use the Basler pylon Viewer application to easily set the parameters.

For more information about the pylon Viewer, see Section 3.1.1 on [page 43](#).

7.8 Use Case Diagrams



This section assumes that the standard mode is enabled for image acquisition control.

In principle, this section also applies if the legacy mode is enabled instead. In this case, however, the following differences must be taken into account:

- the acquisition start trigger of the standard mode is not available in the legacy mode.
- the frame start trigger of the standard mode is called "acquisition start trigger" in the legacy mode.



When the camera is started for the first time after delivery from the factory the image acquisition control will not be in standard mode but in legacy mode.

Use the legacy mode only if you want to operate the camera together with previous cameras not featuring the standard mode.

For more information about standard mode and legacy mode and how to set them, see Section 7.1 on [page 73](#).

The following pages contain a series of use case descriptions and diagrams. The descriptions and diagrams are designed to illustrate how acquisition start triggering and frame start triggering work in some common situations and with some common combinations of parameter settings.

These use cases do not represent every possible combination of the parameters associated with acquisition start and frame start triggering. They are simply intended to aid you in developing an initial understanding of how these two triggers interact.

In each use case diagram, the black box in the upper left corner indicates how the parameters are set.



The use case diagrams are representational. They are not drawn to scale and are not designed to accurately describe precise camera timings.

Use Case 1 - Acquisition and Frame Start Triggers Both Off (Free Run)

Use case one is illustrated on [page 117](#).

In this use case, the Acquisition Mode parameter is set to continuous. The Trigger Mode parameter for the acquisition start trigger and the Trigger Mode parameter for the frame start trigger are both set to off. The camera will generate all required acquisition start and frame start trigger signals internally. When the camera is set this way, it will constantly acquire images without any need for triggering by the user. This use case is commonly referred to as "free run".





The rate at which the camera will acquire images will be determined by the camera's Acquisition Frame Rate Abs parameter unless the current camera settings result in a lower frame rate. If the Acquisition Frame Rate Abs parameter is disabled, the camera will acquire frames at the maximum allowed frame rate.

Cameras are used in free run for many applications. One example is for aerial photography. A camera set for free run is used to capture a continuous series of images as an aircraft overflies an area. The images can then be used for a variety of purposes including vegetation coverage estimates, archaeological site identification, etc.

For more information about the Acquisition Frame Rate Abs parameter, see Section 7.5.1.1 on [page 89](#) and for information about setting the parameter, see Section 7.5.1.3 on [page 91](#).

Use Case: "Free Run" (Acquisition Start Trigger Off and Frame Start Trigger Off)
 The acquisition start trigger is off. The camera will generate acquisition start trigger signals internally with no action by the user.
 The frame start trigger is off. The camera will generate frame start trigger signals internally with no action by the user.

Settings: Acquisition Mode = Continuous
 Trigger Mode for the acquisition start trigger = Off
 Trigger Mode for the frame start trigger = Off

- - - - = a trigger signal generated by the camera internally
-  = camera is waiting for an acquisition start trigger
-  = camera is waiting for a frame start trigger
-  = frame exposure and readout
-  = frame transmission

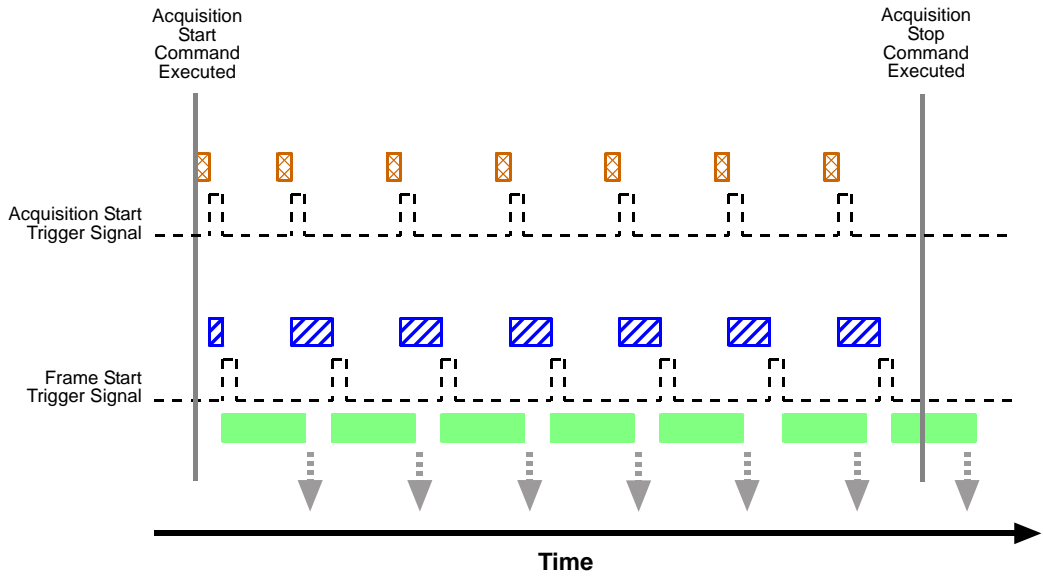


Fig. 50: Use Case 1 - Acquisition Start Trigger Off and Frame Start Trigger Off

Use Case 2 - Acquisition Start Trigger Off - Frame Start Trigger On

Use case two is illustrated on [page 119](#).

In this use case, the Acquisition Mode parameter is set to continuous. The Trigger Mode parameter for the acquisition start trigger is set to off and the Trigger Mode parameter for the frame start trigger is set to on.





Because the acquisition start trigger is set to off, the user does not need to apply acquisition start trigger signals to the camera. The camera will generate all required acquisition start trigger signals internally.

Because the frame start trigger is set to on, the user must apply a frame start trigger signal to the camera in order to begin each frame exposure. In this case, we have set the frame start trigger signal source to input line 1 and the activation to rising edge, so the rising edge of an externally generated electrical signal applied to line 1 will serve as the frame start trigger signal.

This type of camera setup is used frequently in industrial applications. One example might be a wood products inspection system used to inspect the surface of pieces of plywood on a conveyor belt as they pass by a camera. In this situation, a sensing device is usually used to determine when a piece of plywood on the conveyor is properly positioned in front of the camera. When the plywood is in the correct position, the sensing device transmits an electrical signal to input line 1 on the camera. When the electrical signal is received on line 1, it serves as a frame start trigger signal and initiates a frame acquisition. The frame acquired by the camera is forwarded to an image processing system, which will inspect the image and determine if there are any defects in the plywood's surface.

Use Case: Acquisition Start Trigger Off and Frame Start Trigger On
 The acquisition start trigger is off. The camera will generate acquisition start trigger signals internally with no action by the user.
 The frame start trigger is on, and the frame start trigger source is set to input line 1. The user must apply a frame start trigger signal to input line 1 to start each frame exposure.

Settings: Acquisition Mode = Continuous
 Trigger Mode for the acquisition start trigger = Off
 Trigger Mode for the frame start trigger = On
 Trigger Source for the frame start trigger = Line 1
 Trigger Activation for the frame start trigger = Rising Edge

- - - - = a trigger signal generated by the camera internally
- = a trigger signal applied by the user
-  = camera is waiting for an acquisition start trigger signal
-  = camera is waiting for a frame start trigger signal
-  = frame exposure and readout
-  = frame transmission

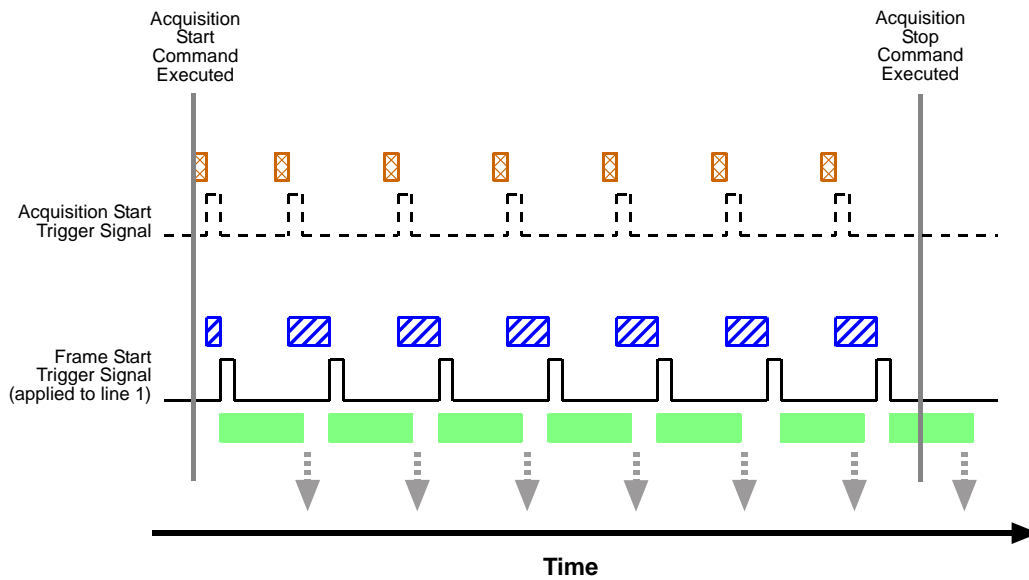


Fig. 51: Use Case 2 - Acquisition Start Trigger Off and Frame Start Trigger On

Use Case 3 - Acquisition Start Trigger On - Frame Start Trigger Off

Use case three is illustrated on [page 121](#).

In this use case, the Acquisition Mode parameter is set to continuous. The Trigger Mode parameter for the acquisition start trigger is set to off and the Trigger Mode parameter for the frame start trigger is set to on.

Because the acquisition start trigger is set to off, the user does not need to apply acquisition start trigger signals to the camera. The camera will generate all required acquisition start trigger signals internally.

Because the frame start trigger is set to on, the user must apply a frame start trigger signal to the camera in order to begin each frame exposure. In this case, we have set the frame start trigger signal source to input line 1 and the activation to rising edge, so the rising edge of an externally generated electrical signal applied to line 1 will serve as the frame start trigger signal.

This type of camera setup is used frequently in industrial applications. One example might be a wood products inspection system used to inspect the surface of pieces of plywood on a conveyor belt as they pass by a camera. In this situation, a sensing device is usually used to determine when a piece of plywood on the conveyor is properly positioned in front of the camera. When the plywood is in the correct position, the sensing device transmits an electrical signal to input line 1 on the camera. When the electrical signal is received on line 1, it serves as a frame start trigger signal and initiates a frame acquisition. The frame acquired by the camera is forwarded to an image processing system, which will inspect the image and determine if there are any defects in the plywood's surface.

For more information about the Acquisition Frame Rate Abs parameter, see Section 7.5.1.1 on [page 89](#) and for information about setting the parameter, see Section 7.5.1.3 on [page 91](#).

Use Case: Acquisition Start Trigger On and Frame Start Trigger Off

The acquisition start trigger is on, and the acquisition start trigger source is set to input line 1. The user must apply an acquisition start trigger signal to input line 1 to make the camera exit the "waiting for acquisition start trigger" acquisition status. Because the acquisition frame count is set to 3, the camera will re-enter the "waiting for acquisition start trigger" acquisition status after 3 frames have been acquired.

The frame start trigger is off. The camera will generate frame start trigger signals internally with no action by the user.

Settings: Acquisition Mode = Continuous
 Trigger Mode for the acquisition start trigger = On
 Trigger Source for the acquisition start trigger = Line 1
 Trigger Activation for the acquisition start trigger = Rising Edge
 Acquisition Frame Count = 3
 Trigger Mode for the frame start trigger = Off

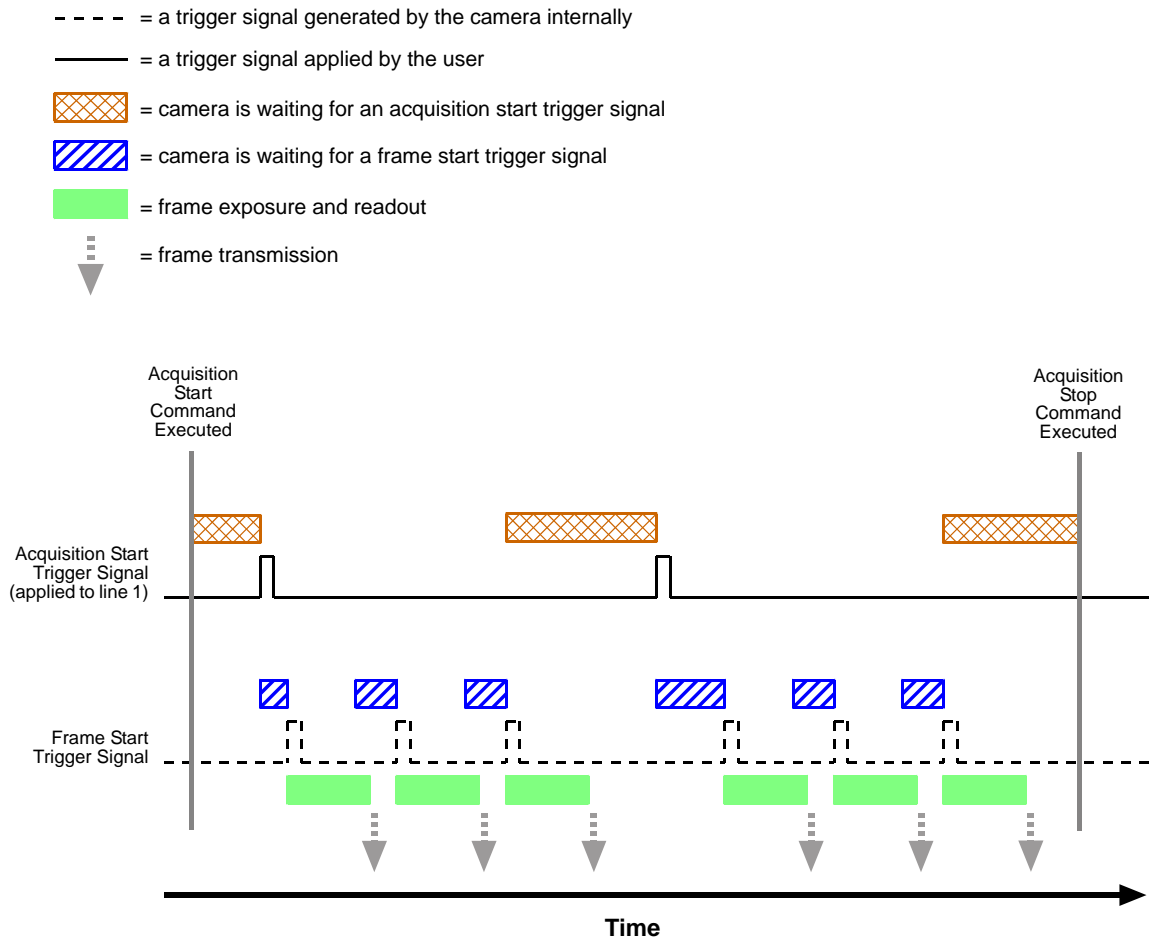


Fig. 52: Use Case 3 - Acquisition Start Trigger On and Frame Start Trigger Off

Use Case 4 - Acquisition and Frame Start Triggers Both On

Use case four is illustrated on [page 123](#).

In this use case, the Acquisition Mode parameter is set to continuous. The Trigger Mode parameter for the acquisition start trigger is set to on and the Trigger Mode parameter for the frame start trigger is set to on.

Because the acquisition start trigger mode is set to on, the user must apply an acquisition start trigger signal to the camera. In this case, we have set the acquisition start trigger signal source to software, so the execution of an acquisition trigger software command will serve as the acquisition start trigger signal. The Acquisition Frame Count parameter is set to 3.

When an acquisition trigger software command is executed, the camera will exit the "waiting for acquisition start trigger" acquisition status and enter a "waiting for frame start trigger" acquisition status. Once the camera has acquired 3 frames, it will re-enter the "waiting for acquisition start trigger" acquisition status. Before any more frames can be acquired, a new acquisition trigger software command must be executed to make the camera exit the "waiting for acquisition start trigger" acquisition status.

Because the frame start trigger is set to on, the user must apply a frame start trigger signal to the camera in order to begin each frame acquisition. In this case, we have set the frame start trigger signal source to input line 1 and the activation to rising edge, so the rising edge of an externally generated electrical signal applied to input line 1 will serve as the frame start trigger signal. Keep in mind that the camera will only react to a frame start trigger signal when it is in a "waiting for frame start trigger" acquisition status.

A possible use for this type of setup is a conveyor system that moves objects past an inspection camera. Assume that the system operators want to acquire images of 3 specific areas on each object, that the conveyor speed varies, and that they do not want to acquire images when there is no object in front of the camera. A sensing device on the conveyor could be used in conjunction with a PC to determine when an object is starting to pass the camera. When an object is starting to pass, the PC will execute an acquisition start trigger software command, causing the camera to exit the "waiting for acquisition start trigger" acquisition status and enter a "waiting for frame start trigger" acquisition status.

An electrical device attached to the conveyor could be used to generate frame start trigger signals and to apply them to input line 1 on the camera. Assuming that this electrical device was based on a position encoder, it could account for the speed changes in the conveyor and ensure that frame trigger signals are generated and applied when specific areas of the object are in front of the camera. Once 3 frame start trigger signals have been received by the camera, the number of frames acquired would be equal to the setting for the Acquisition Frame Count parameter, and the camera would return to the "waiting for acquisition start trigger" acquisition status. Any frame start trigger signals generated at that point would be ignored.

This sort of setup is useful because it will only acquire frames when there is an object in front of the camera and it will ensure that the desired areas on the object are imaged. (Transmitting images of the "space" between the objects would be a waste of bandwidth and processing them would be a waste of processor resources.)

Use Case: Acquisition Start Trigger On and Frame Start Trigger On

The acquisition start trigger is on, and the acquisition start trigger source is set to software. The user must execute an acquisition start trigger software command to make the camera exit the "waiting for acquisition start trigger" acquisition status. Because the acquisition frame count is set to 3, the camera will re-enter the "waiting for acquisition start trigger" acquisition status after 3 frame trigger signals have been applied.

The frame start trigger is on, and the frame start trigger source is set to input line 1. The user must apply a frame start trigger signal to input line 1 to start each frame exposure.

Settings: Acquisition Mode = Continuous
 Trigger Mode for the acquisition start trigger = On
 Trigger Source for the acquisition start trigger = Software
 Acquisition Frame Count = 3
 Trigger Mode for the frame start trigger = On
 Trigger Source for the frame start trigger = Line 1
 Trigger Activation for the frame start trigger = Rising Edge

- = a trigger signal applied by the user
- ▨ = camera is waiting for an acquisition start trigger signal
- ▩ = camera is waiting for a frame start trigger signal
- = frame exposure and readout
- ⋮ = frame transmission
- ⏏ = a frame start trigger signal that will be ignored because the camera is not in a "waiting for frame start trigger" status

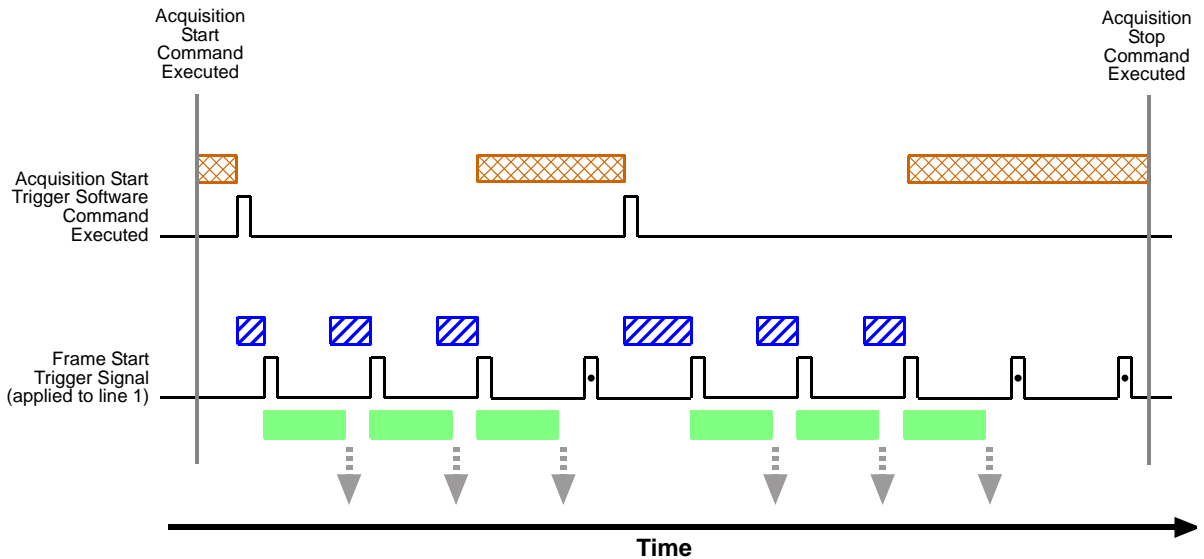


Fig. 53: Use Case 4 - Acquisition Start Trigger On and Frame Start Trigger On

7.9 Overlapping Exposure and Sensor Readout (All Models Except scA750-60)



Note

The information in this section applies to all camera models except the scA750-60 fm/fc. For information about scA750-60 fm/fc cameras, see Section 7.10 on [page 126](#).

The image acquisition process on the camera includes two distinct parts. The first part is the exposure of the pixels in the imaging sensor. Once exposure is complete, the second part of the process – readout of the pixel values from the sensor – takes place.

In regard to this image acquisition process, there are two common ways for the camera to operate: with “non-overlapped” exposure and with “overlapped” exposure. In the non-overlapped mode of operation, each time an image is acquired, the camera completes the entire exposure/readout process before acquisition of the next image is started. This situation is illustrated in Figure 54.

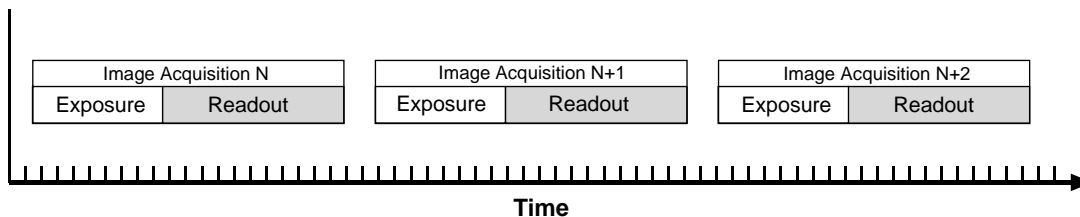


Fig. 54: Non-overlapped Exposure

While operating in a non-overlapped fashion is perfectly normal and is appropriate for many situations, it is not the most efficient way to operate the camera in terms of acquisition frame rate. On this camera, however, it is allowable to begin exposing a new image while a previously acquired image is being read out. This situation is illustrated in Figure 55 and is known as operating the camera with “overlapped” exposure.

As you can see, running the camera with readout and exposure overlapped can allow higher acquisition frame rates because the camera is performing two processes at once.

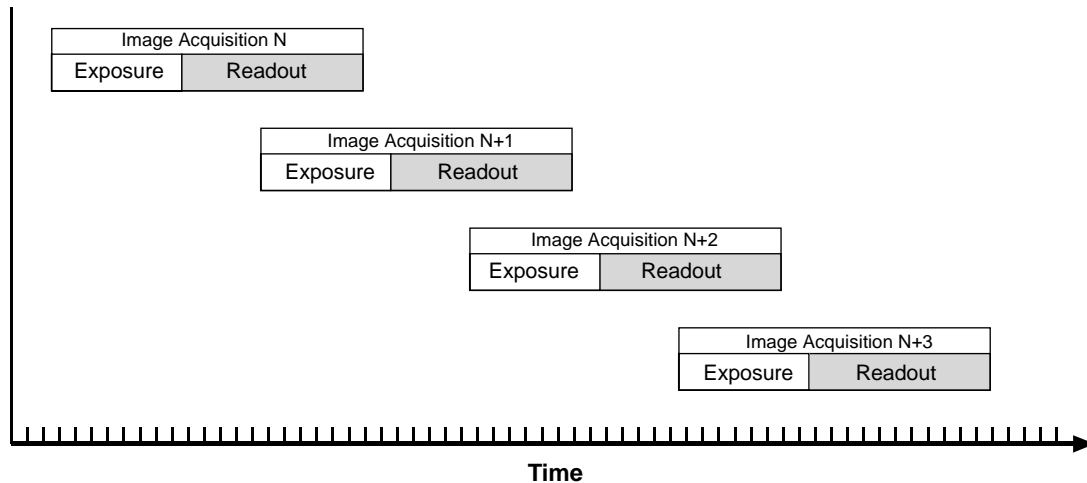


Fig. 55: Overlapped Exposure

Determining whether your camera is operating with overlapped or non-overlapped exposures is not a matter of issuing a command or switching a setting on or off. Rather the way that you operate the camera will determine whether the exposures are overlapped or not overlapped. If we define the “frame period” as the time from the start of exposure for one image acquisition to the start of exposure for the next image acquisition, then:

- Exposure will overlap when: $\text{Frame Period} \leq \text{Exposure Time} + \text{Readout Time}$
- Exposure will not overlap when: $\text{Frame Period} > \text{Exposure Time} + \text{Readout Time}$

You can calculate the readout time for a captured image by using the formula on [page 136](#).

7.9.1 Guidelines for Overlapped Operation

If you will be operating the camera with overlapped exposure, there are two important guidelines to keep in mind:

- You must not begin the exposure time for a new image acquisition while the exposure time of the previous acquisition is in progress.
- You must not end the exposure time of the current image acquisition until readout of the previously acquired image is complete.

The camera will ignore any trigger signals that violate these guidelines.

When you are operating a camera with overlapped exposure and using a hardware trigger signal to trigger image acquisition, you could use the camera’s exposure time parameter settings and timing formulas to calculate when it is safe to begin each new acquisition. However, there is a much more convenient way to know when it safe to begin each acquisition. The camera supplies a “trigger ready” signal that is specifically designed to let you trigger overlapped exposure safely and efficiently.

For more information about using the Trigger Ready signal with all camera models except the scA750-60 fm/fc, see Section 7.11.3 on [page 128](#).

For more detailed guidelines about using an external trigger signal with the trigger width exposure mode and overlapped exposure, refer to the application notes called "Using a Specific External Trigger Signal with Overlapped Exposure" (AW000565). The application notes are available in the downloads section of the Basler website: www.baslerweb.com

7.10 Exposure Must Not Overlap Sensor Readout (scA750-60 Only)



The information in this section only applies to scA750-60 fm/fc cameras. For information about the other camera models, see Section 7.9 on [page 124](#).

The image acquisition process on the camera includes two distinct parts. The first part is the exposure of the pixels in the imaging sensor. Once exposure is complete, the second part of the process – readout of the pixel values from the sensor – takes place.

On these cameras, exposure for a new acquisition must not begin until readout of the previously acquired image is complete. This situation is illustrated in Figure 54.

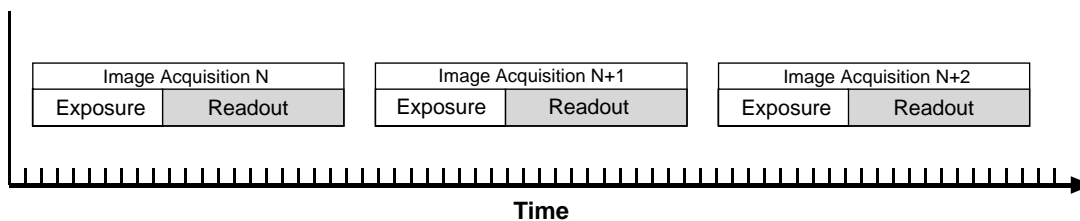


Fig. 56: Non-overlapped Readout and Exposure

A result of this characteristic is that the exposure time setting on the camera will have a direct effect on the camera's maximum allowed frame rate. At longer exposure times, the maximum allowed frame rate will be lower.

When you are operating a camera and using a hardware trigger to trigger image acquisition, you could use the camera's exposure time parameter settings and the timing formulas to calculate when it is safe to begin each new acquisition. However, there is a more convenient way to know when it is safe to begin each acquisition. The camera supplies a "trigger ready" signal that is specifically designed to let you trigger acquisitions safely and efficiently.

For more information about using the Trigger Ready signal with scA750-60 fm/fc cameras, see Section 7.11.4 on [page 131](#).

7.11 Acquisition Monitoring Tools

7.11.1 Exposure Active Signal

The camera's "exposure active" (ExpAc) signal goes high when the exposure time for each image acquisition begins and goes low when the exposure time ends as shown in Figure 57. This signal can be used as a flash trigger and is also useful when you are operating a system where either the camera or the object being imaged is movable. For example, assume that the camera is mounted on an arm mechanism and that the mechanism can move the camera to view different portions of a product assembly. Typically, you do not want the camera to move during exposure. In this case, you can monitor the ExpAc signal to know when exposure is taking place and thus know when to avoid moving the camera.

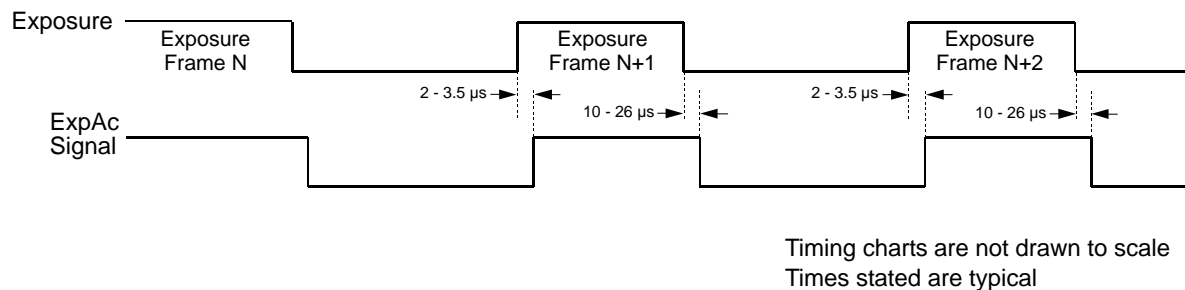


Fig. 57: Exposure Active Signal



When you use the exposure active signal, be aware that there is a delay in the rise and the fall of the signal in relation to the start and the end of exposure. See Figure 57 for details.

By default, the ExpAc signal is assigned to physical output line 1 on the camera. However, the assignment of the ExpAc signal to a physical output line can be changed.

Selecting the Exposure Active Signal as the Source Signal for an Output Line

The exposure active output signal can be selected to act as the source signal for e.g. output line 1. Selecting a source signal for the output line is a two step process:

- Use the Line Selector to select output line 1.
- Set the value of the Line Source Parameter to the exposure active output signal.

You can set the Line Selector and the Line Source parameter value from within your application software by using the Basler pylon API. The following code snippet illustrates using the API to set the selector and the parameter value:

```
Camera.LineSelector.SetValue( LineSelector_Out1 );  
Camera.LineSource.SetValue( LineSource_ExposureActive );
```

You can also use the Basler pylon Viewer application to easily set the parameters.

For more information about changing the assignment of camera output signals to physical output lines, see Section 6.2.1 on [page 63](#).

For more information about the electrical characteristics of the camera's output lines, see Section 5.6.2 on [page 58](#).

7.11.2 Acquisition Status Indicator

When controlling image acquisition with a software trigger you can use the acquisition status feature to determine when the camera is ready to be triggered for an image acquisition.

For more information about the acquisition status feature, see Section 9.15 on [page 229](#).

7.11.3 Trigger Ready Signal (All Models Except scA750-60)



The information in this section applies to all camera models except the scA750-60 fm/fc. For information about scA750-60 fm/fc cameras, see Section 7.11.4 on [page 131](#).

As described in the previous section, the cameras can operate in an “overlapped” acquisition fashion. When the camera is operated in this manner, it is especially important that:

- the exposure time of a new image acquisition not start until exposure of the previously acquired image is complete, and
- the exposure time of a new image acquisition not end until readout of the previously acquired image is complete.

The camera supplies a “Trigger Ready” (TrigRdy) output signal you can use to ensure that these conditions are met when you are using a hardware trigger signal to trigger image acquisition. The trigger ready signal relates to different trigger signals, depending on the image acquisition control mode:

- In standard mode, the trigger ready signal relates to the frame start trigger signal
- In legacy mode, the trigger ready signal relates to the acquisition start trigger signal.

When you are acquiring images, the camera automatically calculates the earliest moment that it is safe to trigger each new acquisition. The trigger ready signal will go high when it is safe to trigger an acquisition, will go low when the acquisition has started, and will go high again when it is safe to trigger the next acquisition (see Figure 58). The camera calculates the rise of the trigger ready signal based on the current exposure time parameter setting, the current size of the area of interest, and the time it will take to readout the captured pixel values from the sensor.

The trigger ready signal is especially useful if you want to run the camera at the maximum acquisition frame capture rate for the current conditions. If you monitor the trigger ready signal and you trigger acquisition of each new image immediately after the signal goes high, you will be sure that the camera is operating at the maximum acquisition frame rate for the current conditions.

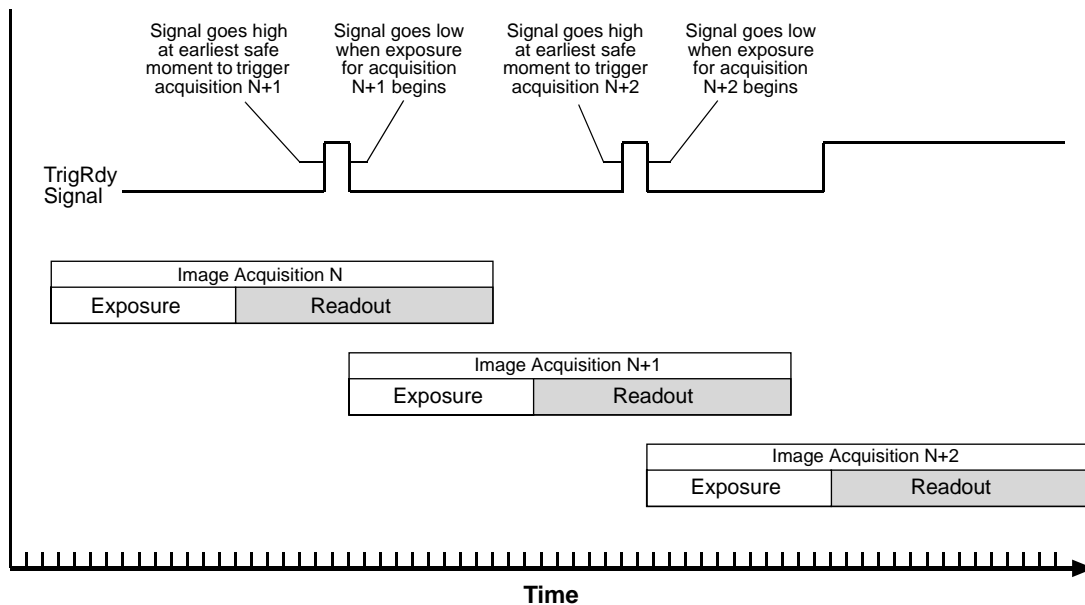


Fig. 58: Trigger Ready Signal

You should be aware that if the Acquisition Frame Rate Abs parameter is enabled, the operation of the trigger ready signal will be influenced by the value of the parameter:

- If the value of the parameter is greater than zero but less than the maximum allowed, the trigger ready will go high at the rate specified by the parameter value. For example, if the parameter is set to 10, the trigger ready signal will go high 10 times per second.
- If the value of the parameter is greater than the maximum allowed acquisition frame rate with the current camera settings, the trigger ready signal will work as described above and will go high at a point that represents the maximum acquisition frame rate allowed.



If you attempt to start an image acquisition when the trigger ready signal is low, the camera will simply ignore the attempt. The trigger ready signal will only be available when hardware triggering is enabled.

By default, the trigger ready signal is assigned to physical output line 2 on the camera. However, the assignment of the trigger signal to a physical output line can be changed.

Selecting the Trigger Ready Signal as the Source Signal for an Output Line

The trigger ready signal can be selected to act as the source signal for e.g. output line 1. Selecting a source signal for the output line is a two step process:

- Use the Line Selector to select output line 1.
- Set the value of the Line Source Parameter to the trigger ready output signal.

You can set the Line Selector and the Line Source parameter value from within your application software by using the Basler pylon API. The following code snippet illustrates using the API to set the selector and the parameter value:

```
Camera.LineSelector.SetValue( LineSelector_Out1 );  
Camera.LineSource.SetValue( LineSource_TriggerReady );
```

You can also use the Basler pylon Viewer application to easily set the parameters.

For more information about

- changing the assignment of camera output signals to physical output lines, see Section 6.2 on [page 63](#).
- the electrical characteristics of the camera's output lines, see Section 5.6.2 on [page 58](#).
- the standard and legacy image acquisition control modes, see Section 7.1 on [page 73](#).

7.11.4 Trigger Ready Signal (scA750-60 Only)



The information in this section only applies to scA750-60 fm/fc cameras. For information about the other camera models, see Section 7.11.3 on [page 128](#).

As described in an earlier section, on these cameras the exposure for an image acquisition must not begin until readout of the previously acquired image has ended. The camera supplies a “Trigger Ready” (TrigRdy) output signal you can use to ensure that these conditions are met when you are using a hardware trigger signal to trigger image acquisition. The trigger ready signal relates to different trigger signals, depending on the image acquisition control mode:

- In standard mode, the trigger ready signal relates to the frame start trigger signal.
- In legacy mode, the trigger ready signal relates to the acquisition start trigger signal.

When you are acquiring images, the camera automatically calculates the earliest moment that it is safe to trigger each new acquisition. The trigger ready signal will go high when it is safe to trigger an acquisition, will go low when the acquisition has started, and will go high again when it is safe to trigger the next acquisition (see Figure 58). The camera calculates the rise of the trigger ready signal based on the current exposure time parameter setting, the current size of the area of interest, and the time it will take to readout the captured pixel values from the sensor.

The trigger ready signal is especially useful if you want to run the camera at the maximum acquisition frame capture rate for the current conditions. If you monitor the trigger ready signal and you begin acquisition of each new image immediately after the signal goes high, you will be sure that the camera is operating at the maximum acquisition frame rate for the current conditions.

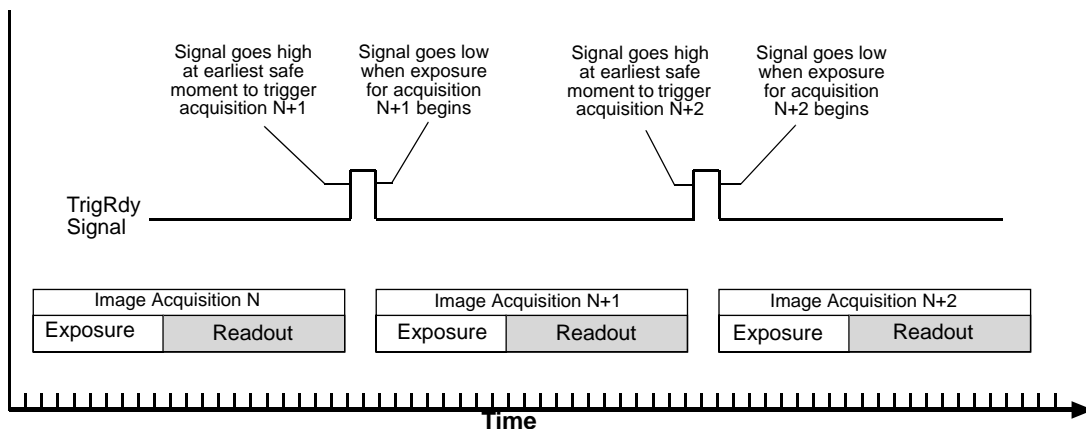


Fig. 59: Trigger Ready Signal

You should be aware that if the Acquisition Frame Rate Abs parameter is enabled, the operation of the trigger ready signal will be influenced by the value of the parameter:

- If the value of the parameter is greater than zero but less than the maximum allowed, the trigger ready will go high at the rate specified by the parameter value. For example, if the parameter is set to 10, the trigger ready signal will go high 10 times per second.
- If the value of the parameter is greater than the maximum allowed acquisition frame rate with the current camera settings, the trigger ready signal will work as described above and will go high at a point that represents the maximum acquisition frame rate allowed.



If you attempt to start an image acquisition when the trigger ready signal is low, the camera will simply ignore the attempt.

The trigger ready signal will only be available when hardware triggering is enabled.

By default, the trigger ready signal is assigned to physical output line 2 on the camera. However, the assignment of the trigger signal to a physical output line can be changed.

Selecting the Trigger Ready Signal as the Source Signal for an Output Line

The trigger ready signal can be selected to act as the source signal for e.g. output line 1. Selecting a source signal for the output line is a two step process:

- Use the Line Selector to select output line 1.
- Set the value of the Line Source Parameter to the trigger ready output signal.

You can set the Line Selector and the Line Source parameter value from within your application software by using the Basler pylon API. The following code snippet illustrates using the API to set the selector and the parameter value:

```
Camera.LineSelector.SetValue( LineSelector_Out1 );  
Camera.LineSource.SetValue( LineSource_TriggerReady );
```

You can also use the Basler pylon Viewer application to easily set the parameters.

For more information about

- changing the assignment of camera output signals to physical output lines, see Section 6.2 on [page 63](#).
- the electrical characteristics of the camera's output lines, see Section 5.6.2 on [page 58](#).
- the standard and legacy image acquisition control modes, see Section 7.1 on [page 73](#).

7.11.5 Acquisition Trigger Wait Signal (Standard Mode Only)



The acquisition trigger wait signal is only available when the image acquisition control is set to standard mode.

For more information about image acquisition control and setting the mode, see Section 7.1 on [page 73](#).

As you are acquiring frames, the camera automatically monitors the acquisition start trigger status and supplies a signal that indicates the current status. The Acquisition Trigger Wait signal will go high whenever the camera enters a "waiting for acquisition start trigger" status. The signal will go low when an external acquisition start trigger (ExASTrig) signal is applied to the camera and the camera exits the "waiting for acquisition start trigger status". The signal will go high again when the camera again enters a "waiting for acquisition start trigger" status and it is safe to apply the next acquisition start trigger signal.

If you base your use of the ExASTrig signal on the state of the acquisition trigger wait signal, you can avoid "acquisition start overtriggering", i.e., applying an acquisition start trigger signal to the camera when it is not in a "waiting for acquisition start trigger" acquisition status. If you do apply an acquisition start trigger signal to the camera when it is not ready to receive the signal, it will be ignored and an acquisition start overtrigger event will be reported.

Figure 60 illustrates the Acquisition Trigger Wait signal with the Acquisition Frame Count parameter set to 3 and with exposure and readout overlapped. The figure assumes that the trigger mode for the frame start trigger is set to off, so the camera is internally generating frame start trigger signals.

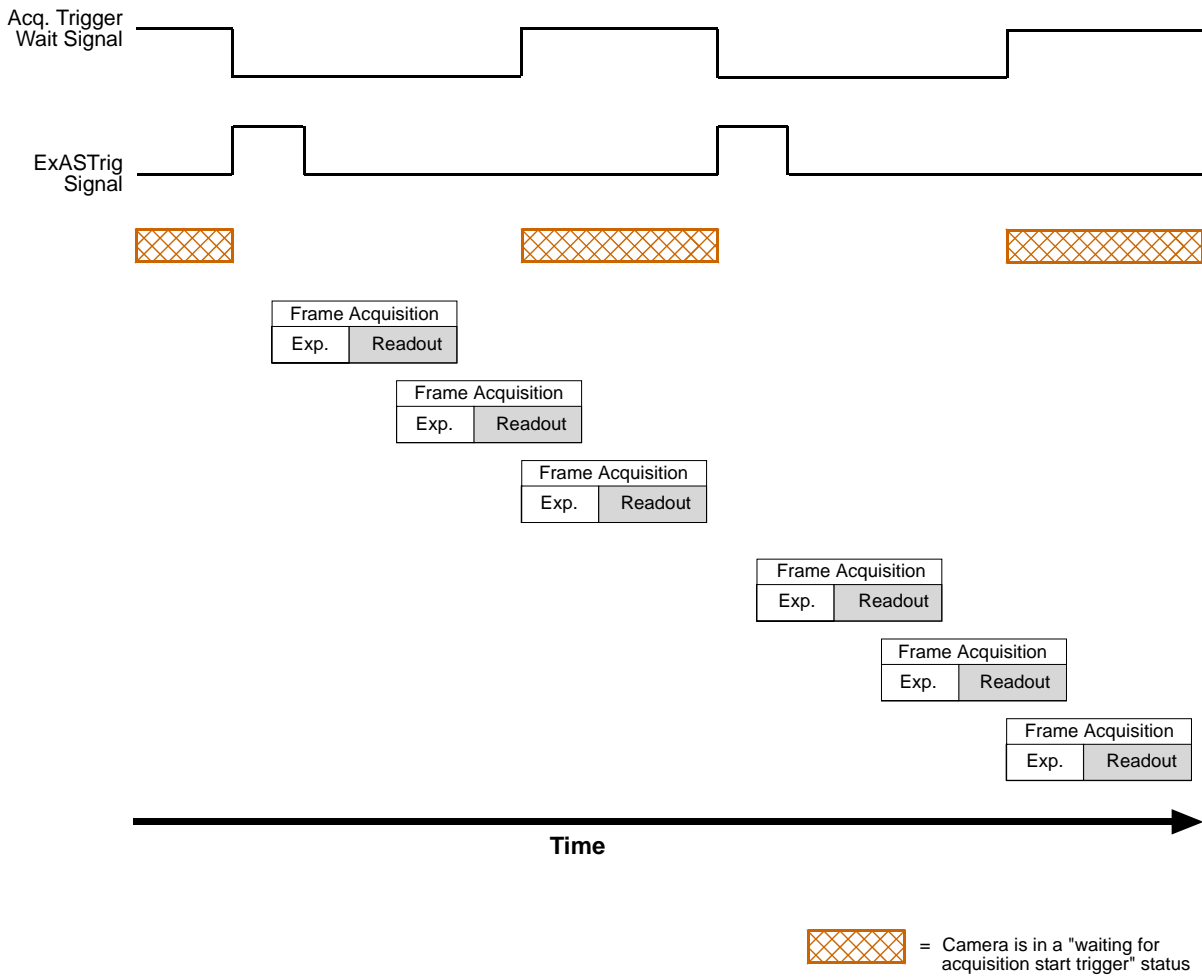



Fig. 60: Acquisition Trigger Wait Signal

 The acquisition trigger wait signal will only be available when hardware acquisition start triggering is enabled.

Selecting the Acquisition Trigger Wait Signal as the Source Signal for an Output Line

The acquisition trigger wait signal can be selected to act as the source signal for camera output line 1, line 2, line 3, or line 4. Selecting a source signal for an output line is a two step process:

- Use the Line Selector to select output line 1, line 2, line 3, or line 4.
- Set the value of the Line Source Parameter to the acquisition trigger wait signal.

You can set the Line Selector and the Line Source parameter value from within your application software by using the Basler pylon API. The following code snippet illustrates using the API to set the selector and the parameter value:

```
Camera.LineSelector.SetValue( LineSelector_Out1 );  
Camera.LineSource.SetValue( LineSource_AcquisitionTriggerWait );
```

You can also use the Basler pylon Viewer application to easily set the parameters.

7.12 Acquisition Timing Chart

Figure 61 shows a timing chart for image acquisition and transmission. The chart assumes that exposure is triggered with an ExTrig signal with rising edge activation and that the camera is set for programmable exposure mode.

The ExTrig signal will be an externally triggered frame start trigger signal when using image acquisition control in standard mode. The ExTrig signal will be an externally triggered acquisition start trigger signal when using image acquisition control in legacy mode.

As Figure 61 shows, there is a slight delay between the rise of the ExTrig signal and the start of exposure. After the exposure time for an image capture is complete, the camera begins reading out the captured image data from the CCD sensor into a buffer in the camera. When the camera has determined that a sufficient amount of image data has accumulated in the buffer, it will begin transmitting the data from the camera to the host PC.

This buffering technique avoids the need to exactly synchronize the clock used for sensor readout with the clock used for data transmission over the IEEE 1394b bus. The camera will begin transmitting data when it has determined that it can safely do so without over-running or under-running the buffer. This buffering technique is also an important element in achieving the highest possible frame rate with the best image quality.

The **exposure start delay** is the amount of time between the point where the trigger signal transitions to the point where exposure actually begins.

The **frame readout time** is the amount of time it takes to read out the data for a captured image from the CCD sensor into the image buffer.

The **time to transmission end** is the amount of time between the point where the camera begins reading out the captured image data from the sensor to the point where it finishes transmitting the data for the captured image from the buffer to the host PC.

The exposure start delay varies from camera model to camera model. The table below shows the exposure start delay for each camera model:

Camera Model	Exposure Start Delay	Camera Model	Exposure Start Delay
scA640-70fm/fc	33.43 μ s	scA1300-32fm/fc	33.16 μ s
scA640-74fm/fc	31.84 μ s	scA1390-17fm/fc	64.88 μ s
scA640-120fm/fc	19.67 μ s	scA1400-17fm/fc	64.09 μ s
scA750-60fm/fc	179 μ s	scA1400-30fm/fc	36.99 μ s
scA780-54fm/fc	34.27 μ s	scA1600-14fm/fc	65.25 μ s
scA1000-30fm/fc	48.80 μ s	scA1600-28fm/fc	32 μ s

Table 13: Exposure Start Delays

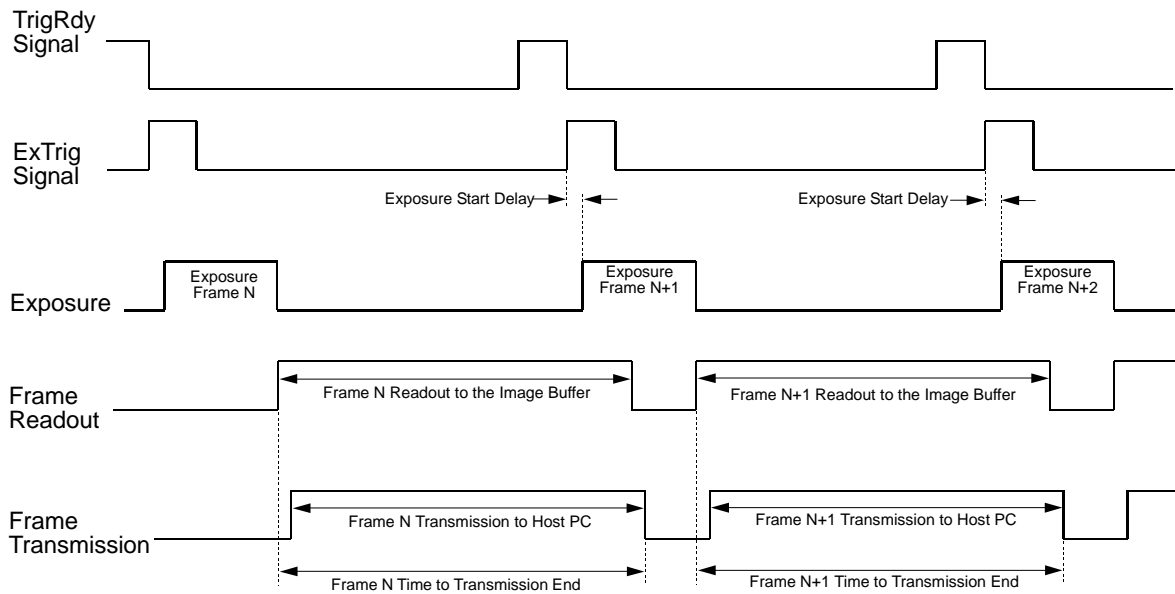
Note that, if the debouncer feature is used, the debouncer setting for the input line must be added to the exposure start delays shown in Table 13 to determine the total start delay. For example,

assume that you are using an scA640-70 camera and that you have set the cameras for hardware triggering. Also assume that you have selected input line 1 to accept the hardware trigger signal and that you have set the Line Debouncer Time Abs parameter for input line 1 to 5 μ s. In this case:

Total Start Delay = Start Delay from Table 13+ Debouncer Setting

Total Start Delay = 33.43 μ s+ 5 μ s

Total Start Delay = 38.43 μ s



Timing charts are not drawn to scale

Fig. 61: Exposure Start Controlled with an ExTrig Signal

You can calculate the frame readout time by using this formula:

$$\text{Frame Readout Time} = T_r = (\text{AOI Height} + 1) \times C_1 + C_2$$

Where the values for the constants C_1 and C_2 are from the table in Section 7.13 on [page 139](#) for all camera models except the scA750-60 or from the table in Section 7.14 on [page 144](#) for scA750-60 cameras.

For more information about the frame height, see Section 9.6 on [page 194](#).

You can calculate the time to transmission end (T_e) using these three steps:

1. Calculate the frame readout time (T_r) using the formula above.

2. Calculate the base transmission time (T_b) using these formulas:

$$\text{Packets per frame} = \frac{\text{Value of the Payload Size Parameter}}{\text{Value of the Packet Size Parameter}}$$

(round the result up to the nearest integer)

$$T_b = \text{Packets per frame} \times 125 \mu\text{s}$$

3. Compare the results:

$$\text{If } T_b \leq T_r, \text{ then } T_e = T_r + 250 \mu\text{s}$$

$$\text{If } T_b > T_r, \text{ then } T_e = T_b + 250 \mu\text{s}$$

You can determine the value of the Payload Size and Packet Size parameters from within your application software by using the pylon API. The following code snippet illustrates using the API to work with the parameter values:

```
// Get payload size
int64_t payloadSize = Camera.PayloadSize.GetValue();

// Set packet size
Camera.PacketSizeSize.SetValue( 4096 );
```

For detailed information about using the pylon API, refer to the Basler pylon Programmer's Guide and API Reference.

You can also use the Basler pylon Viewer application to easily set the parameters.

For more information about the pylon Viewer, see Section 3.1.1 on [page 43](#).

7.13 Maximum Allowed Acquisition Frame Rate (All Models Except scA750-60)



The information in this section applies to all camera models except the scA750-60 fm/fc. For information about scA750-60 fm/fc cameras, see Section 7.14 on [page 144](#).

In general, the maximum allowed acquisition frame rate can be limited by three factors:

- The amount of time it takes to read an acquired image out of the imaging sensor and into the camera's frame buffer (an acquired image is also known as a frame). This time varies depending on the height of the frame. Shorter frames take less time to read out of the sensor. The frame height is determined by the camera's AOI settings.
- The exposure time for acquired frames. If you use very long exposure times, you can acquire fewer frames per second.
- The number of packets needed to transfer an acquired frame from the camera to your PC.



When the camera's acquisition mode is set to single frame, the maximum possible acquisition frame rate for a given AOI cannot be achieved. To achieve the maximum possible acquisition frame rate, set the camera for the continuous acquisition mode.

To determine the maximum allowed acquisition frame rate with your current camera settings, you can read the value of the camera's Resulting Frame Rate parameter. This parameter indicates the camera's current maximum allowed frame rate taking the AOI, exposure time, and packet size settings into account.

You can read the current value of the Resulting Frame RateAbs parameter from within your application software by using the pylon API. The following code snippet illustrates using the API to get the parameter values:

```
// Resulting Framerate
double resultingFps = Camera.ResultingFrameRateAbs.GetValue();
```

For detailed information about using the pylon API, refer to the Basler pylon Programmer's Guide and API Reference.

You can also use the Basler pylon Viewer application to easily set the parameters.

For more information about

- the pylon Viewer, see Section 3.1.1 on [page 43](#).
- the AOI settings, see Section 9.6 on [page 194](#).

Increasing the Maximum Allowed Frame Rate

You may find that you would like to acquire frames at a rate higher than the maximum allowed with the camera's current settings. In this case, you must first use the three formulas described below to determine what factor is restricting the maximum frame rate the most. Next, you must try to make that factor less restrictive:

- You will often find that the sensor readout time is most restrictive factor. Decreasing the height of the acquired frames will decrease the sensor readout time and will make this factor less restrictive.
- If you find that the number of packets needed to transmit an image is restricting the frame rate, you may be able to decrease the number of packets needed to transmit a frame. The next section in this manual explains more about the effect of changing the packets per frame.
- If you are using normal exposure times and you are using the camera at its maximum resolution, your exposure time will not normally be the most restrictive factor on the frame rate. However, if you are using long exposure times or small areas of interest, it is quite possible to find that your exposure time is the most restrictive factor on the frame rate. In this case, you should lower your exposure time. (You may need to compensate for a lower exposure time by using a brighter light source or increasing the opening of your lens aperture.)

For more information about the AOI settings, see Section 9.6 on [page 194](#).

Formula 1:

Calculates the maximum frame rate based on the sensor readout time:

$$\text{Max. Frames/s} = \frac{1}{((\text{AOI Height} + 1) \times C_1) + C_2}$$

Where:

AOI Height = the height of the acquired frames as determined by the AOI settings.

The constants C_1 and C_2 depend on the camera model as shown in the table below:

Camera Model	C_1	C_2	Camera Model	C_1	C_2
scA640-70fm/fc	25.21 μs	1595.12 μs	scA1390-17fm/fc	44.71 μs	12158.66 μs
scA640-74fm/fc	24.01 μs	1519.18 μs	scA1400-17fm/fc	44.37 μs	11410.34 μs
scA640-120fm/fc	14.40 μs	1148.27 μs	scA1400-30fm/fc	25.83 μs	6426.73 μs
scA780-54fm/fc	25.70 μs	2201.60 μs	scA1600-14fm/fc	52.37 μs	6838.87 μs
scA1000-30fm/fc	36.56 μs	4656.20 μs	scA1600-28fm/fc	26.60 μs	2867.93 μs
scA1300-32fm/fc	27.83 μs	2725.66 μs			

Formula 2:

Calculates the maximum frame rate based on the exposure time for the acquired frames:

$$\text{Max. Frames/s} = \frac{1}{\text{Exposure time in } \mu\text{s} + C_3}$$

Where the constant C_3 depends on the camera model as shown in the table below:

Camera Model	C_3	Camera Model	C_3
scA640-70fm/fc	94 μs	scA1390-17fm/fc	176 μs
scA640-74fm/fc	90 μs	scA1400-17fm/fc	173 μs
scA640-120fm/fc	24 μs	scA1400-30fm/fc	97 μs
scA780-54fm/fc	95 μs	scA1600-14fm/fc	181 μs
scA1000-30fm/fc	136 μs	scA1600-28fm/fc	95.15 μs
scA1300-32fm/fc	52 μs		

Formula 3:

Calculates the maximum frame rate based on the number of packets needed to transmit a captured frame from the camera to your host PC via the IEEE 1394 bus:

$$\text{Packets per frame} = \frac{\text{Value of the Payload Size Parameter}}{\text{Value of the Packet Size Parameter}}$$

(round the result up to the nearest integer)

$$\text{Max. Frames/s} = \frac{1}{\text{Packets per frame} \times 125 \mu\text{s}}$$

Example

Assume that you are using a monochrome scA640-70 camera set for an exposure time of 2000 μs and for 600 x 400 resolution. Also assume that you have checked the value of the Payload Size parameter and the Packet Size parameters and found them to be 327100 and 8192 respectively.

Formula 1:

$$\text{Max Frames/s} = \frac{1}{((400+ 1) \times 25.21 \mu\text{s}) + 1595.12 \mu\text{s}}$$

$$\text{Max Frames/s} = 85.4 \text{ frames/s}$$

Formula 2:

$$\text{Max Frames/s} = \frac{1}{2000 \mu\text{s} + 94 \mu\text{s}}$$

$$\text{Max Frames/s} = 477.5 \text{ frames/s}$$

Formula 3:

$$\text{Packets per frame} = \frac{327100}{8192}$$

$$\text{Packets per frame} = 39.9$$

(Round the result up to 40.)

$$\text{Max. Frames/s} = \frac{1}{40 \times 125 \mu\text{s}}$$

$$\text{Max Frames/s} = 200 \text{ frames/s}$$

Formula one returns the lowest value. So in this case, the limiting factor is the sensor readout time and the maximum allowed acquisition frame rate would be 85.4 frames per second.

7.13.1 Effect of the Packet Size Setting on the Maximum Allowed Frame Rate

After a camera acquires a frame, the image data is read out from the sensor into a buffer. Once the frame has been read out to the buffer, the data is packetized and transmitted across the IEEE 1394b bus to your host PC.

A parameter called Packet Size determines the number of bytes of data that will be included in each packet transferred across the bus. The minimum value for the Packet Size parameter is 1 and the maximum value is 8192. Normally, the value of the Packet Size parameter is set to the maximum and at maximum, the Packet Size parameter has no noticeable effect on the operation of the camera.

If you lower the value of the Packet Size parameter, the amount of image data included in each packet transmitted across the bus will be lower. This means that it will take more packets to transmit each frame and since the cycle time of the IEEE 1394b bus is fixed, it also means that it will take more time to transmit each frame. If you lower the Packet Size parameter enough, the slower data transfer rate can begin to affect the maximum allowed frame capture rate of your camera. If you look at the formulas the previous section, you will notice that one of the factors that can limit the maximum allowed frame rate is the number of packets needed to transmit a frame. The number of packets per frame is directly related to the Packet Size parameter setting.

You can see the effect of changing the Packet Size parameter by looking at the read only parameter called Resulting Frame Rate Abs. The Resulting Frame Rate Abs parameter indicates the

maximum frame rate with the current camera settings. If you gradually decrease the setting for the Packet Size parameter, you will eventually find that the value of the Resulting Frame Rate Abs parameter will also decrease.

If you are operating a single camera on your IEEE 1394b bus, you would ordinarily leave the Packet Size parameter set at the maximum. However, if you are operating multiple cameras on a single IEEE 1394b bus, you will probably need to change the Packet Size parameter so that the cameras can effectively share the available bus bandwidth.

You can set the value of the Packet Size parameter and read the current value of the resulting Frame Rate parameter from within your application software by using the pylon API. The following code snippet illustrates using the API to work with the parameter values:

```
// Set packet size
Camera.PacketSize.SetValue( 4096 );

// Get resulting framerate
double resultingFps = Camera.ResultingFrameRateAbs.GetValue();
```

For detailed information about using the pylon API, refer to the Basler pylon Programmer's Guide and API Reference.

You can also use the Basler pylon Viewer application to easily set the parameters.

For more information about using multiple cameras on a single bus, see Section 11 on [page 259](#).

7.14 Maximum Allowed Acquisition Frame Rate (scA750-60 Only)



The information in this section only applies to scA750-60 fm/fc cameras. For information about the other camera models, see Section 7.13 on [page 139](#).

In general, the maximum allowed acquisition frame rate can be limited by two factors:

- The sum of the exposure time plus the amount of time it takes to read the acquired image out of the imaging sensor and into the camera's frame buffer. (An acquired image is also known as a frame.)

The exposure time is set by the user. If you use very long exposure times, you can acquire fewer frames per second.

The readout time varies depending on the height of the frame. Shorter frames take less time to read out of the sensor. The frame height is determined by the camera's AOI Height settings.

- The number of packets needed to transfer an acquired frame from the camera to your PC.



When the camera's acquisition mode is set to single frame, the maximum possible acquisition frame rate for a given AOI cannot be achieved. To achieve the maximum possible acquisition frame rate, set the camera for the continuous acquisition mode.

To determine the maximum allowed acquisition frame rate with your current camera settings, you can read the value of the camera's Resulting Frame Rate parameter. This parameter indicates the camera's current maximum allowed frame rate taking the AOI, exposure time, and packet size settings into account.

You can read the current value of the Resulting Frame RateAbs parameter from within your application software by using the pylon API. The following code snippet illustrates using the API to get the parameter values:

```
// Resulting Framerate
double resultingFps = Camera.ResultingFrameRateAbs.GetValue();
```

For detailed information about using the pylon API, refer to the Basler pylon Programmer's Guide and API Reference.

You can also use the Basler pylon Viewer application to easily set the parameters.

For more information about

- the pylon Viewer, see Section 3.1.1 on [page 43](#).
- the AOI settings, see Section 9.6 on [page 194](#).

Increasing the Maximum Allowed Frame Rate

You may find that you would like to acquire frames at a rate higher than the maximum allowed with the camera's current settings. In this case, you must first use the two formulas described below to determine what factor is restricting the maximum frame rate the most. Next, you must try to make that factor less restrictive:

- You will often find that the sum of the exposure time plus the sensor readout time is the most restrictive factor.

Decreasing the AOI height for the acquired frames will decrease the sensor readout time and will make this factor less restrictive.

If you are using long exposure times, it is quite possible to find that your exposure time is making this factor the most restrictive. In this case, you should lower your exposure time. (You may need to compensate for a lower exposure time by using a brighter light source or increasing the opening of your lens aperture.)

- If you find that the number of packets needed to transmit an image is restricting the frame rate, you may be able to decrease the number of packets needed to transmit a frame. The next section in this manual explains more about the effect of changing the packets per frame.

For more information about the AOI settings, see Section 9.6 on [page 194](#).

Formula 1:

Calculates the maximum frame rate based on the sum of the exposure time plus the sensor readout time:

$$\text{Max. Frames/s} = \frac{1}{\text{Exposure Time in } \mu\text{s} + ((\text{AOI Height} + 1) \times C_1) + C_2}$$

Where:

AOI Height = the height of the acquired frames as determined by the AOI settings.

The constants C_1 and C_2 depend on the camera model as shown in the table below:

	scA750-60 fm/fc
C_1	31.01 μs
C_2	186.08 μs

Formula 2:

Calculates the maximum frame rate based on the number of packets needed to transmit a captured frame from the camera to your host PC via the IEEE 1394 bus:

$$\text{Packets per frame} = \frac{\text{Value of the Payload Size Parameter}}{\text{Value of the Packet Size Parameter}}$$

(round the result up to the nearest integer)

$$\text{Max. Frames/s} = \frac{1}{\text{Packets per frame} \times 125 \mu\text{s}}$$

Example

Assume that you are using a monochrome scA750-60 camera set for an exposure time of 2000 μs and for 600 x 400 resolution. Also assume that you have checked the value of the Payload Size parameter and the Packet Size parameters and found them to be 327100 and 8192 respectively.

Formula 1:

$$\text{Max. Frames/s} = \frac{1}{2000 \mu\text{s} + ((400 + 1) \times 31.01 \mu\text{s}) + 186.08 \mu\text{s}}$$

$$\text{Max. Frames/s} = 68.3 \text{ frames/s}$$

Formula 2:

$$\text{Packets per frame} = \frac{327100}{8192}$$

$$\text{Packets per frame} = 39.9$$

(Round the result up to 40.)

$$\text{Max. Frames/s} = \frac{1}{40 \times 125 \mu\text{s}}$$

$$\text{Max Frames/s} = 200 \text{ frames/s}$$

Formula one returns the lowest value. So in this case, the limiting factor is the sum of the exposure time plus the sensor readout time and the maximum allowed acquisition frame rate would be 68.3 frames per second.

7.14.1 Effect of the Packet Size Setting on the Maximum Allowed Frame Rate

After a camera acquires a frame, the image data is read out from the sensor into a buffer. Once the frame has been read out to the buffer, the data is packetized and transmitted across the IEEE 1394b bus to your host PC.

A parameter called Packet Size determines the number of bytes of data that will be included in each packet transferred across the bus. The minimum value for the Packet Size parameter is 1 and the maximum value is 8192. Normally, the value of the Packet Size parameter is set to the maximum and at maximum, the Packet Size parameter has no noticeable effect on the operation of the camera.

If you lower the value of the Packet Size parameter, the amount of image data included in each packet transmitted across the bus will be lower. This means that it will take more packets to transmit each frame and since the cycle time of the IEEE 1394b bus is fixed, it also means that it will take more time to transmit each frame. If you lower the Packet Size parameter enough, the slower data transfer rate can begin to affect the maximum allowed frame capture rate of your camera. If you look at the formulas the previous section, you will notice that one of the factors that can limit the maximum allowed frame rate is the number of packets needed to transmit a frame. The number of packets per frame is directly related to the Packet Size parameter setting.

You can see the effect of changing the Packet Size parameter by looking at the read only parameter called Resulting Frame Rate Abs. The Resulting Frame Rate Abs parameter indicates the maximum frame rate with the current camera settings. If you gradually decrease the setting for the Packet Size parameter, you will eventually find that the value of the Resulting Frame Rate Abs parameter will also decrease.

If you are operating a single camera on your IEEE 1394b bus, you would ordinarily leave the Packet Size parameter set at the maximum. However, if you are operating multiple cameras on a single IEEE 1394b bus, you will probably need to change the Packet Size parameter so that the cameras can effectively share the available bus bandwidth.

You can set the value of the Packet Size parameter and read the current value of the resulting Frame Rate parameter from within your application software by using the pylon API. The following code snippet illustrates using the API to work with the parameter values:

```
// Set packet size
Camera.PacketSize.SetValue( 4096 );

// Get resulting framerate
double resultingFps = Camera.ResultingFrameRateAbs.GetValue();
```

For detailed information about using the pylon API, refer to the Basler pylon Programmer's Guide and API Reference.

You can also use the Basler pylon Viewer application to easily set the parameters.

For more information about using multiple cameras on a single bus, see Section 11 on [page 259](#).

8 Pixel Data Formats

By selecting a pixel data format, you determine the format (layout) of the image data transmitted by the camera. This section provides detailed information about the available pixel data formats.

8.1 Setting the Pixel Data Format

The setting for the camera's Pixel Format parameter determines the format of the pixel data that will be output from the camera. The available pixel formats depend on the camera model and whether the camera is monochrome or color. Table 14 lists the pixel formats available on each monochrome camera model and Table 15 lists the pixel formats available on each color camera model.

Mono Camera Model	Mono 8	Mono 16	Mono 12 Packed	YUV 4:2:2 Packed	YUV 4:2:2 (YUYV) Packed
scA640-70	•	•	•	•	•
scA640-74	•	•	•	•	•
scA640-120	•	•	•	•	•
scA750-60	•			•	•
scA780-54	•	•	•	•	•
scA1000-30	•	•	•	•	•
scA1300-32	•	•	•	•	•
scA1390-17	•	•	•	•	•
scA1400-17	•	•	•	•	•
scA1400-30	•	•	•	•	•
scA1600-14	•	•	•	•	•
scA1600-28	•	•	•	•	•

Table 14: Pixel Formats Available on Monochrome Cameras (• = format available)

Color Camera Model	Mono 8	Bayer RG 8	Bayer BG 8	Bayer BG 16	Bayer BG 12 Packed	YUV 4:2:2 Packed	YUV 4:2:2 (YUYV) Packed
scA640-70	•		•	•	•	•	•
scA640-74	•		•	•	•	•	•
scA640-120	•		•	•	•	•	•
scA750-60	•	•				•	•
scA780-54	•		•	•	•	•	•
scA1000-30	•		•	•	•	•	•
scA1300-32	•		•	•	•	•	•
scA1390-17	•		•	•	•	•	•
scA1400-17	•		•	•	•	•	•
scA1400-30	•		•	•	•	•	•
scA1600-14	•		•	•	•	•	•
scA1600-28	•		•	•	•	•	•

Table 15: Pixel Formats Available on Color Cameras (• = format available)



For optimum use of the available bandwidth, the scA1600-28fc cameras are by default set to the Bayer BG 8 pixel format and all other color cameras are by default set to the YUV 4:2:2 pixel format.

Details of the monochrome formats are described in Section 8.2 on [page 151](#) and details of the color formats are described in Section 8.3 on [page 158](#).

You can set the Pixel Format parameter value from within your application software by using the pylon API. The following code snippet illustrates using the API to set the parameter value:

```
Camera.PixelFormat.SetValue( PixelFormat_Mono8 );
Camera.PixelFormat.SetValue( PixelFormat_Mono12Packed );
Camera.PixelFormat.SetValue( PixelFormat_Mono16 );
Camera.PixelFormat.SetValue( PixelFormat_YUV422Packed );
Camera.PixelFormat.SetValue( PixelFormat_YUV422_YUYV_Packed );
Camera.PixelFormat.SetValue( PixelFormat_BayerBG8 );
Camera.PixelFormat.SetValue( PixelFormat_BayerBG16 );
```

For detailed information about using the pylon API, refer to the Basler pylon Programmer's Guide and API Reference.

You can also use the Basler pylon Viewer application to easily set the parameters.

For more information about the pylon Viewer, see Section 3.1.1 on [page 43](#).

8.2 Pixel Data Formats for Mono Cameras

8.2.1 Mono 8 Format (Equivalent to DCAM Mono 8)

When a monochrome camera is set for the Mono 8 pixel data format, it outputs 8 bits of brightness data per pixel.

The table below describes how the pixel data for a received frame will be ordered in the image buffer in your PC when the camera is set for Mono8 output.

The following standards are used in the table:

P_0 = the first pixel transmitted by the camera

P_n = the last pixel transmitted by the camera

B_0 = the first byte in the buffer

B_m = the last byte in the buffer

Byte	Data
B_0	Brightness value for P_0
B_1	Brightness value for P_1
B_2	Brightness value for P_2
B_3	Brightness value for P_3
B_4	Brightness value for P_4
B_5	Brightness value for P_5
B_6	Brightness value for P_6
B_7	Brightness value for P_7
•	•
•	•
•	•
B_{m-3}	Brightness value for P_{n-3}
B_{m-2}	Brightness value for P_{n-2}
B_{m-1}	Brightness value for P_{n-1}
B_m	Brightness value for P_n

With the camera set for Mono8, the pixel data output is 8 bit data of the “unsigned char” type. The available range of data values and the corresponding indicated signal levels are as shown in the table below.

This Data Value (Hexadecimal)	Indicates This Signal Level (Decimal)
0xFF	255
0xFE	254
•	•
•	•
•	•
0x01	1
0x00	0

8.2.2 Mono 16 Format (Equivalent to DCAM Mono 16)

When a monochrome camera is set for the Mono16 pixel data format, it outputs 16 bits of brightness data per pixel with 12 bits effective. The 12 bits of effective pixel data fill from the least significant bit. The four unused most significant bits are filled with zeros.

The table below describes how the pixel data for a received frame will be ordered in the image buffer in your PC when the camera is set for Mono16 output. Note that the data is placed in the image buffer in **little endian format**.

The following standards are used in the table:

P_0 = the first pixel transmitted by the camera

P_n = the last pixel transmitted by the camera

B_0 = the first byte in the buffer

B_m = the last byte in the buffer

Byte	Data
B_0	Low byte of brightness value for P_0
B_1	High byte of brightness value for P_0
B_2	Low byte of brightness value for P_1
B_3	High byte of brightness value for P_1
B_4	Low byte of brightness value for P_2
B_5	High byte of brightness value for P_2
B_6	Low byte of brightness value for P_3
B_7	High byte of brightness value for P_3
B_8	Low byte of brightness value for P_4
B_9	High byte of brightness value for P_4
•	•
•	•
•	•
B_{m-7}	Low byte of brightness value for P_{n-3}
B_{m-6}	High byte of brightness value for P_{n-3}
B_{m-5}	Low byte of brightness value for P_{n-2}
B_{m-4}	High byte of brightness value for P_{n-2}
B_{m-3}	Low byte of brightness value for P_{n-1}
B_{m-2}	High byte of brightness value for P_{n-1}
B_{m-1}	Low byte of brightness value for P_n
B_m	High byte of brightness value for P_n

When the camera is set for Mono 16, the pixel data output is 16 bit data of the “unsigned short (little endian)” type. The available range of data values and the corresponding indicated signal levels are as shown in the table below. Note that for 16 bit data, you might expect a value range from 0x0000 to 0xFFFF. However, with the camera set for Mono16 only 12 bits of the 16 bits transmitted are effective. Therefore, the highest data value you will see is 0x0FFF indicating a signal level of 4095.

This Data Value (Hexadecimal)	Indicates This Signal Level (Decimal)
0x0FFF	4095
0x0FFE	4094
•	•
•	•
•	•
0x0001	1
0x0000	0



When a camera that is set for Mono 16 has only 12 bits effective, the leader of transmitted frames will indicate Mono 12 as the pixel format.

8.2.3 Mono 12 Packed Format

When a monochrome camera is set for the Mono 12 Packed pixel data format, it outputs 12 bits of brightness data per pixel. Every three bytes transmitted by the camera contain data for two pixels.

The table below describes how the pixel data for a received frame will be ordered in the image buffer in your PC when the camera is set for Mono 12 Packed output.

The following standards are used in the table:

P_0 = the first pixel transmitted by the camera

P_n = the last pixel transmitted by the camera

B_0 = the first byte in the buffer

B_m = the last byte in the buffer

Byte	Data	
B_0	P_0 bits 11 ... 4	
B_1	P_1 bits 3 ... 0	P_0 bits 3 ... 0
B_2	P_1 bits 11 ... 4	
B_3	P_2 bits 11 ... 4	
B_4	P_3 bits 3 ... 0	P_2 bits 3 ... 0
B_5	P_3 bits 11 ... 4	
B_6	P_4 bits 11 ... 4	
B_7	P_5 bits 3 ... 0	P_4 bits 3 ... 0
B_8	P_5 bits 11 ... 4	
B_9	P_6 bits 11 ... 4	
B_{10}	P_7 bits 3 ... 0	P_6 bits 3 ... 0
B_{11}	P_7 bits 11 ... 4	
•	•	
•	•	•
•	•	
B_{m-5}	P_{n-3} bits 11 ... 4	
B_{m-4}	P_{n-2} bits 3 ... 0	P_{n-3} bits 3 ... 0
B_{m-3}	P_{n-2} bits 11 ... 4	
B_{m-2}	P_{n-1} bits 11 ... 4	
B_{m-1}	P_n bits 3 ... 0	P_{n-1} bits 3 ... 0
B_m	P_n bits 11 ... 4	

When a monochrome camera is set for Mono 12 Packed, the pixel data output is 12 bit data of the “unsigned” type. The available range of data values and the corresponding indicated signal levels are as shown in the table below.

This Data Value (Hexadecimal)	Indicates This Signal Level (Decimal)
0x0FFF	4095
0x0FFE	4094
•	•
•	•
•	•
0x0001	1
0x0000	0

8.2.4 YUV 4:2:2 Packed Format (Equivalent to DCAM YUV 4:2:2)

When a monochrome camera is set for the YUV 4:2:2 Packed pixel data format, the camera transmits Y, U, and V values in a fashion that mimics the output from a color camera set for YUV 4:2:2 Packed.

The Y value transmitted for each pixel is an actual 8 bit brightness value similar to the pixel data transmitted when a monochrome camera is set for Mono 8. The U and V values transmitted will always be zero. With this format, a Y value is transmitted for each pixel, but the U and V values are only transmitted for every second pixel.

The order of the pixel data for a received frame in the image buffer in your PC is similar to the order of YUV 4:2:2 Packed output from a color camera.

For more information about the YUV 4:2:2 Packed format on color cameras, see [Section 8.3.6 on page 168](#).

8.2.5 YUV 4:2:2 (YUYV) Packed Format

When a monochrome camera is set for the YUV 4:2:2 (YUYV) Packed pixel data format, the camera transmits Y, U, and V values in a fashion that mimics the output from a color camera set for YUV 4:2:2 (YUYV) Packed.

The Y value transmitted for each pixel is an actual 8 bit brightness value similar to the pixel data transmitted when a monochrome camera is set for Mono 8. The U and V values transmitted will always be zero. With this format, a Y value is transmitted for each pixel, but the U and V values are only transmitted for every second pixel.

The order of the pixel data for a received frame in the image buffer in your PC is similar to the order of YUV 4:2:2 (YUYV) Packed output from a color camera.

For more information about the YUV 4:2:2 (YUYV) Packed format on color cameras, see [Section 8.3.7 on page 171](#).

8.3 Pixel Data Output Formats for Color Cameras

8.3.1 The Bayer Color Filter

The sensor used in color models of the camera is equipped with an additive color separation filter known as a Bayer filter. The pixel data output formats available on color cameras are related to the Bayer pattern, so you need a basic knowledge of the Bayer filter to understand the pixel formats. With the Bayer filter, each individual pixel is covered by a micro-lens that allows light of only one color to strike the pixel. The pattern of the Bayer filter used on the camera is as shown in Figure 62 (the alignment of the Bayer filter with respect to the sensor is shown as an example only; the figure shows the "BG" filter alignment). As the figure illustrates, within each square of four pixels, one pixel sees only red light, one sees only blue light, and two pixels see only green light. (This combination mimics the human eye's sensitivity to color.)

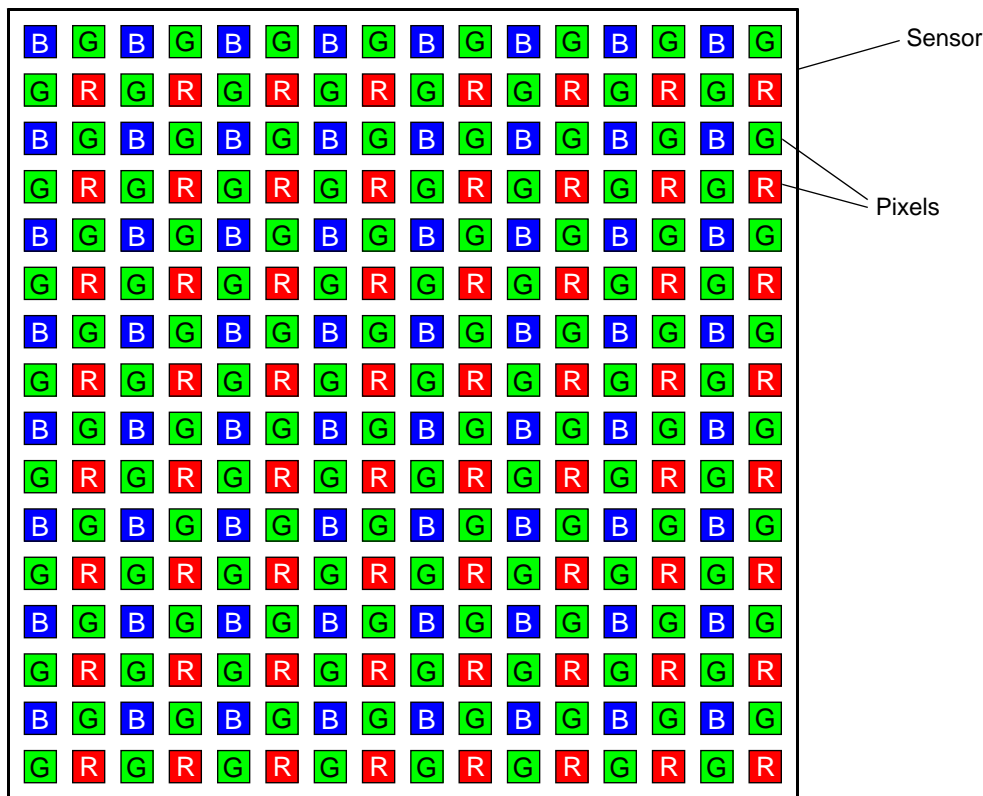


Fig. 62: Bayer Filter Pattern

8.3.1.1 Color Filter Alignment

The alignment of the Bayer filter to the pixels in the images acquired by color cameras is either Bayer BG or Bayer RG depending on the camera model. Table 16 shows the filter alignment for each available camera model.

Color Camera Model	Filter Alignment
scA640-70	BG
scA640-74	BG
scA640-120	BG
scA750-60	RG
scA780-54	BG
scA1000-30	BG
scA1300-32	BG
scA1390-17	BG
scA1400-17	BG
scA1400-30	BG
scA1600-14	BG
scA1600-28	BG

Table 16: Bayer Filter to Sensor Alignment

Bayer BG alignment means that pixel one and pixel two of the first line in each image transmitted will be blue and green respectively. And for the second line transmitted, pixel one and pixel two will be green and red respectively. Since the pattern of the Bayer filter is fixed, you can use this information to determine the color of all of the other pixels in the image.

Bayer RG alignment means that pixel one and pixel two of the first line in each image transmitted will be red and green respectively. And for the second line transmitted, pixel one and pixel two will be green and blue respectively. Since the pattern of the Bayer filter is fixed, you can use this information to determine the color of all of the other pixels in the image.

Because the size and position of the area of interest on color cameras must be adjusted in increments of 2, the color filter alignment will remain the same regardless of the camera's area of interest (AOI) settings.

The Pixel Color Filter parameter indicates the current alignment of the camera's Bayer filter to the pixels in the images captured by a color camera. You can tell how the current AOI is aligned to the Bayer filter by reading the value of the Pixel Color Filter parameter.

For more information about the camera's AOI feature, see Section 9.6 on [page 194](#).

8.3.2 Bayer BG 8 Format (Equivalent to DCAM Raw 8)

When a color camera is set for the Bayer BG 8 pixel data format, it outputs 8 bits of data per pixel and the pixel data is not processed or interpolated in any way. So, for each pixel covered with a red lens, you get 8 bits of red data. For each pixel covered with a green lens, you get 8 bits of green data. And for each pixel covered with a blue lens, you get 8 bits of blue data. (This type of pixel data is sometimes referred to as "raw" output.)

The "BG" in the name Bayer BG 8 refers to the alignment of the colors in the Bayer filter to the pixels in the acquired images. For even rows in the images, pixel one will be blue, pixel two will be green, pixel three will be blue, pixel four will be green, etc. For odd rows in the images, pixel one will be green, pixel two will be red, pixel three will be green, pixel four will be red, etc.

For more information about the Bayer filter, see Section 8.3.1 on [page 158](#).

The tables below describe how the data for the even rows and for the odd rows of a received frame will be ordered in the image buffer in your PC when the camera is set for Bayer BG 8 output.

The following standards are used in the tables:

P_0 = the first pixel transmitted by the camera for a row

P_n = the last pixel transmitted by the camera for a row

B_0 = the first byte of data for a row

B_m = the last byte of data for a row

Even Rows	
Byte	Data
B_0	Blue value for P_0
B_1	Green value for P_1
B_2	Blue value for P_2
B_3	Green value for P_3
B_4	Blue value for P_4
B_5	Green value for P_5
2	•
2	•
2	•
B_{m-5}	Blue value for P_{n-5}
B_{m-4}	Green value for P_{n-4}
B_{m-3}	Blue value for P_{n-3}
B_{m-2}	Green value for P_{n-2}
B_{m-1}	Blue value for P_{n-1}
B_m	Green value for P_n

Odd Rows	
Byte	Data
B_0	Green value for P_0
B_1	Red value for P_1
B_2	Green value for P_2
B_3	Red value for P_3
B_4	Green value for P_4
B_5	Red value for P_5
2	•
2	•
2	•
B_{m-5}	Green value for P_{n-5}
B_{m-4}	Red value for P_{n-4}
B_{m-3}	Green value for P_{n-3}
B_{m-2}	Red value for P_{n-2}
B_{m-1}	Green value for P_{n-1}
B_m	Red value for P_n

With the camera set for Bayer BG 8, the pixel data output is 8 bit data of the “unsigned char” type. The available range of data values and the corresponding indicated signal levels are as shown in the table below.

This Data Value (Hexadecimal)	Indicates This Signal Level (Decimal)
0xFF	255
0xFE	254
•	•
•	•
•	•
0x01	1
0x00	0

8.3.3 Bayer RG 8 Format (Equivalent to DCAM Raw 8)

When a color camera is set for the Bayer RG 8 pixel data format, it outputs 8 bits of data per pixel and the pixel data is not processed or interpolated in any way. So, for each pixel covered with a red lens, you get 8 bits of red data. For each pixel covered with a green lens, you get 8 bits of green data. And for each pixel covered with a blue lens, you get 8 bits of blue data. (This type of pixel data is sometimes referred to as "raw" output.)

The "RG" in the name Bayer RG 8 refers to the alignment of the colors in the Bayer filter to the pixels in the acquired images. For even lines in the images, pixel one will be red, pixel two will be green, pixel three will be red, pixel four will be green, etc. For odd lines in the images, pixel one will be green, pixel two will be blue, pixel three will be green, pixel four will be blue, etc.

For more information about the Bayer filter, see Section 8.3.1 on [page 158](#).

The tables below describe how the data for the even lines and for the odd lines of a received frame will be ordered in the image buffer in your PC when the camera is set for Bayer RG 8 output.

The following standards are used in the tables:

P_0 = the first pixel transmitted by the camera for a line

P_n = the last pixel transmitted by the camera a line

B_0 = the first byte of data for a line

B_m = the last byte of data for a line

Even Lines	
Byte	Data
B_0	Red value for P_0
B_1	Green value for P_1
B_2	Red value for P_2
B_3	Green value for P_3
B_4	Red value for P_4
B_5	Green value for P_5
2	•
2	•
2	•
B_{m-5}	Red value for P_{n-5}
B_{m-4}	Green value for P_{n-4}
B_{m-3}	Red value for P_{n-3}
B_{m-2}	Green value for P_{n-2}
B_{m-1}	Red value for P_{n-1}
B_m	Green value for P_n

Odd Lines	
Byte	Data
B_0	Green value for P_0
B_1	Blue value for P_1
B_2	Green value for P_2
B_3	Blue value for P_3
B_4	Green value for P_4
B_5	Blue value for P_5
2	•
2	•
2	•
B_{m-5}	Green value for P_{n-5}
B_{m-4}	Blue value for P_{n-4}
B_{m-3}	Green value for P_{n-3}
B_{m-2}	Blue value for P_{n-2}
B_{m-1}	Green value for P_{n-1}
B_m	Blue value for P_n

With the camera set for Bayer RG8, the pixel data output is 8 bit data of the “unsigned char” type. The available range of data values and the corresponding indicated signal levels are as shown in the table below.

This Data Value (Hexadecimal)	Indicates This Signal Level (Decimal)
0xFF	255
0xFE	254
•	•
•	•
•	•
0x01	1
0x00	0

8.3.4 Bayer BG 16 Format (Equivalent to DCAM Raw 16)

When a color camera is set for the Bayer BG 16 pixel data format, it outputs 16 bits of data per pixel with 12 bits effective. The 12 bits of effective pixel data fill from the least significant bit. The four unused most significant bits are filled with zeros.

With the Bayer BG 16 the pixel data is not processed or interpolated in any way. So, for each pixel covered with a red lens, you get 12 effective bits of red data. For each pixel covered with a green lens, you get 12 effective bits of green data. And for each pixel covered with a blue lens, you get 12 effective bits of blue data. (This type of pixel data is sometimes referred to as "raw" output.)

The "BG" in the name Bayer BG 16 refers to the alignment of the colors in the Bayer filter to the pixels in the acquired images. For even lines in the images, pixel one will be blue, pixel two will be green, pixel three will be blue, pixel four will be green, etc. For odd lines in the images, pixel one will be green, pixel two will be red, pixel three will be green, pixel four will be red, etc.

For more information about the Bayer filter, see Section 8.3.1 on [page 158](#).

The tables below describe how the data for the even lines and for the odd lines of a received frame will be ordered in the image buffer in your PC when the camera is set for Bayer BG 16 output. Note that the data is placed in the image buffer in **little endian format**.

The following standards are used in the tables:

P_0 = the first pixel transmitted by the camera for a line

P_n = the last pixel transmitted by the camera for a line

B_0 = the first byte of data for a line

B_m = the last byte of data for a line

Even Lines	
Byte	Data
B_0	Low byte of blue value for P_0
B_1	High byte of blue value for P_0
B_2	Low byte of green value for P_1
B_3	High byte of green value for P_1
B_4	Low byte of blue value for P_2
B_5	High byte of blue value for P_2
B_6	Low byte of green value for P_3
B_7	High byte of green value for P_3
•	•
•	•
•	•
B_{m-7}	Low byte of blue value for P_{n-3}
B_{m-6}	High byte of blue value for P_{n-3}

Odd Lines	
Byte	Data
B_0	Low byte of green value for P_0
B_1	High byte of green value for P_0
B_2	Low byte of red value for P_1
B_3	High byte of red value for P_1
B_4	Low byte of green value for P_2
B_5	High byte of green value for P_2
B_6	Low byte of red value for P_3
B_7	High byte of red value for P_3
•	•
•	•
•	•
B_{m-7}	Low byte of green value for P_{n-3}
B_{m-6}	High byte of green value for P_{n-3}

B _{m-5}	Low byte of green value for P _{n-2}
B _{m-4}	High byte of green value for P _{n-2}
B _{m-3}	Low byte of blue value for P _{n-1}
B _{m-2}	High byte of blue value for P _{n-1}
B _{m-1}	Low byte of green value for P _n
B _m	High byte of green value for P _n

B _{m-5}	Low byte of red value for P _{n-2}
B _{m-4}	High byte of red value for P _{n-2}
B _{m-3}	Low byte of green value for P _{n-1}
B _{m-2}	High byte of green value for P _{n-1}
B _{m-1}	Low byte of red value for P _n
B _m	High byte of red value for P _n

When the camera is set for Bayer BG 16, the pixel data output is 16 bit data of the “unsigned short (little endian)” type. The available range of data values and the corresponding indicated signal levels are as shown in the table below. Note that for 16 bit data, you might expect a value range from 0x0000 to 0xFFFF. However, with the camera set for Bayer BG 16 only 12 bits of the 16 bits transmitted are effective. Therefore, the highest data value you will see is 0x0FFF indicating a signal level of 4095.

This Data Value (Hexadecimal)	Indicates This Signal Level (Decimal)
0x0FFF	4095
0x0FFE	4094
•	•
•	•
•	•
0x0001	1
0x0000	0



When a camera that is set for Bayer BG 16 has only 12 bits effective, the leader of transmitted frames will indicate Bayer BG 12 as the pixel format.

8.3.5 Bayer BG 12 Packed Format

When a color camera is set for the Bayer BG 12 Packed pixel data format, it outputs 12 bits of data per pixel. Every three bytes transmitted by the camera contain data for two pixels.

With the Bayer BG 12 Packed coding, the pixel data is not processed or interpolated in any way. So, for each pixel covered with a red lens in the sensor's Bayer filter, you get 12 bits of red data. For each pixel covered with a green lens in the filter, you get 12 bits of green data. And for each pixel covered with a blue lens in the filter, you get 12 bits of blue data. (This type of pixel data is sometimes referred to as "raw" output.)

For more information about the Bayer filter, see Section 8.3.1 on [page 158](#).

The tables below describe how the data for the even rows and for the odd rows of a received frame will be ordered in the image buffer in your PC when the camera is set for Bayer BG12 Packed output.

The following standards are used in the tables:

P_0 = the first pixel transmitted by the camera for a row

P_n = the last pixel transmitted by the camera for a row

B_0 = the first byte of data for a row

B_m = the last byte of data for a row

Even Rows	
Byte	Data
B_0	Blue value for P_0 bits 11 ... 4
B_1	Green value for P_1 bits 3 ... 0 Blue value for P_0 bits 3 ... 0
B_2	Green value for P_1 bits 11 ... 4
B_3	Blue value for P_2 bits 11 ... 4
B_4	Green value for P_3 bits 3 ... 0 Blue value for P_2 bits 3 ... 0
B_5	Green value for P_3 bits 11 ... 4
B_6	Blue value for P_4 bits 11 ... 4
B_7	Green value for P_5 bits 3 ... 0 Blue value for P_4 bits 3 ... 0
B_8	Green value for P_5 bits 11 ... 4
•	•
•	• •
•	•
B_{m-5}	Blue value for P_{n-3} bits 11 ... 4
B_{m-4}	Green value for P_{n-2} bits 3 ... 0 Blue value for P_{n-3} bits 3 ... 0
B_{m-3}	Green value for P_{n-2} bits 11 ... 4
B_{m-2}	Blue value for P_{n-1} bits 11 ... 4
B_{m-1}	Green value for P_n bits 3 ... 0 Blue value for P_{n-1} bits 3 ... 0
B_m	Green value for P_n bits 11 ... 4

Odd Rows	
Byte	Data
B ₀	Green value for P ₀ bits 11 ... 4
B ₁	Red value for P ₁ bits 3 ... 0 Green value for P ₀ bits 3 ... 0
B ₂	Red value for P ₁ bits 11 ... 4
B ₃	Green value for P ₂ bits 11 ... 4
B ₄	Red value for P ₃ bits 3 ... 0 Green value for P ₂ bits 3 ... 0
B ₅	Red value for P ₃ bits 11 ... 4
B ₆	Green value for P ₄ bits 11 ... 4
B ₇	Red value for P ₅ bits 3 ... 0 Green value for P ₄ bits 3 ... 0
B ₈	Red value for P ₅ bits 11 ... 4
•	•
•	• •
•	•
•	•
•	• •
•	•
B _{m-5}	Green value for P _{n-3} bits 11 ... 4
B _{m-4}	Red value for P _{n-2} bits 3 ... 0 Green value for P _{n-3} bits 3 ... 0
B _{m-3}	Red value for P _{n-2} bits 11 ... 4
B _{m-2}	Green value for P _{n-1} bits 11 ... 4
B _{m-1}	Red value for P _n bits 3 ... 0 Green value for P _{n-1} bits 3 ... 0
B _m	Red value for P _n bits 11 ... 4

When a color camera is set for Bayer BG 12 Packed, the pixel data output is 12 bit data of the “unsigned” type. The available range of data values and the corresponding indicated signal levels are as shown in the table below.

This Data Value (Hexadecimal)	Indicates This Signal Level (Decimal)
0x0FFF	4095
0x0FFE	4094
•	•
•	•
•	•
0x0001	1
0x0000	0

8.3.6 YUV 4:2:2 Packed Format (Equivalent to DCAM YUV 4:2:2)

When a color camera is set for the YUV 422 Packed pixel data format, each pixel in the captured image goes through a two step conversion process as it exits the sensor and passes through the camera's electronics. This process yields Y, U, and V color information for each pixel.

In the first step of the process, an interpolation algorithm is performed to get full RGB data for each pixel. This is required because color cameras use a Bayer filter on the sensor and each individual pixel gathers information for only one color.

For more information on the Bayer filter, see Section 8.3.1 on [page 158](#).

The second step of the process is to convert the RGB information to the YUV color model. The conversion algorithm uses the following formulas:

$$Y = 0.30 R + 0.59 G + 0.11 B$$

$$U = -0.17 R - 0.33 G + 0.50 B$$

$$V = 0.50 R - 0.41 G - 0.09 B$$

Once the conversion to a YUV color model is complete, the pixel data is transmitted to the host PC.



The values for U and for V normally range from -128 to +127. Because the camera transfers U values and V values with unsigned integers, 128 is added to each U value and to each V value before the values are transferred from the camera. This process allows the values to be transferred on a scale that ranges from 0 to 255.

The table below describes how the pixel data for a received frame will be ordered in the image buffer in your PC when the camera is set for YUV 4:2:2 Packed output.

The following standards are used in the table:

P_0 = the first pixel transmitted by the camera

P_n = the last pixel transmitted by the camera

B_0 = the first byte in the buffer

B_m = the last byte in the buffer

Byte	Data
B_0	U value for P_0
B_1	Y value for P_0
B_2	V Value for P_0
B_3	Y value for P_1

B ₄	U value for P ₂
B ₅	Y value for P ₂
B ₆	V Value for P ₂
B ₇	Y value for P ₃
B ₈	U value for P ₄
B ₉	Y value for P ₄
B ₁₀	V Value for P ₄
B ₁₁	Y value for P ₅
•	•
•	•
•	•
B _{m-7}	U value for P _{n-3}
B _{m-6}	Y value for P _{n-3}
B _{m-5}	V Value for P _{n-3}
B _{m-4}	Y value for P _{n-2}
B _{m-3}	U value for P _{n-1}
B _{m-2}	Y value for P _{n-1}
B _{m-1}	V Value for P _{n-1}
B _m	Y value for P _n

When the camera is set for YUV 4:2:2 Packed output, the pixel data output for the Y component is 8 bit data of the “unsigned char” type. The range of data values for the Y component and the corresponding indicated signal levels are shown below.

This Data Value (Hexadecimal)	Indicates This Signal Level (Decimal)
0xFF	255
0xFE	254
•	•
•	•
•	•
0x01	1
0x00	0

The pixel data output for the U component or the V component is 8 bit data of the “straight binary” type. The range of data values for a U or a V component and the corresponding indicated signal levels are shown below.

This Data Value (Hexadecimal)	Indicates This Signal Level (Decimal)
0xFF	127
0xFE	126
•	•
•	•
•	•
0x81	1
0x80	0
0x7F	-1
•	•
•	•
•	•
0x01	-127
0x00	-128

The signal level of a U component or a V component can range from -128 to +127 (decimal). Notice that the data values have been arranged to represent the full signal level range.

8.3.7 YUV 4:2:2 (YUYV) Packed Format

On color cameras, the YUV 4:2:2 (YUYV) packed pixel data format is similar to the YUV 4:2:2 pixel format described in the previous section. The only difference is the order of the bytes transmitted to the host PC. With the YUV 4:2:2 format, the bytes are ordered as specified in the DCAM standard issued by the 1394 Trade Association. With the YUV 4:2:2 (YUYV) format, the bytes are ordered to emulate the ordering normally associated with analog frame grabbers and Windows[®] frame buffers.

The table below describes how the pixel data for a received frame will be ordered in the image buffer in your PC when the camera is set for YUV 4:2:2 (YUYV) output.

With this format, the Y component is transmitted for each pixel, but the U and V components are only transmitted for every second pixel.

The following standards are used in the table:

P_0 = the first pixel transmitted by the camera

P_n = the last pixel transmitted by the camera

B_0 = the first byte in the buffer

B_m = the last byte in the buffer

Byte	Data
B_0	Y value for P_0
B_1	U value for P_0
B_2	Y value for P_1
B_3	V value for P_0
B_4	Y value for P_2
B_5	U value for P_2
B_6	Y value for P_3
B_7	V value for P_2
B_8	Y value for P_4
B_9	U value for P_4
B_{10}	Y value for P_5
B_{11}	V value for P_4
•	•
•	•
•	•
B_{m-7}	Y value for P_{n-3}
B_{m-6}	U value for P_{n-3}
B_{m-5}	Y value for P_{n-2}
B_{m-4}	V value for P_{n-3}
B_{m-3}	Y value for P_{n-1}
B_{m-2}	U value for P_{n-1}
B_{m-1}	Y value for P_n
B_m	V value for P_{n-1}

When a color camera is set for YUV 4:2:2 (YUYV) output, the pixel data output for the Y component is 8 bit data of the “unsigned char” type. The range of data values for the Y component and the corresponding indicated signal levels are shown below.

This Data Value (Hexadecimal)	Indicates This Signal Level (Decimal)
0xFF	255
0xFE	254
•	•
•	•
•	•
0x01	1
0x00	0

The pixel data output for the U component or the V component is 8 bit data of the “straight binary” type. The range of data values for a U or a V component and the corresponding indicated signal levels are shown below.

This Data Value (Hexadecimal)	Indicates This Signal Level (Decimal)
0xFF	127
0xFE	126
•	•
•	•
•	•
0x81	1
0x80	0
0x7F	-1
•	•
•	•
•	•
0x01	-127
0x00	-128

The signal level of a U component or a V component can range from -128 to +127 (decimal). Notice that the data values have been arranged to represent the full signal level range.

8.3.8 Mono 8 Format (Equivalent to DCAM Mono 8)

When a color camera is set for the Mono 8 pixel data format, the pixel values in each captured image are first interpolated and converted to the YUV color model as described for the YUV 4:2:2 Packed format. The camera then transmits the 8 bit Y value for each pixel to the host PC. In the YUV color model, the Y component for each pixel represents a brightness value. This brightness value can be considered as equivalent to the value that would be sent from a pixel in a monochrome camera. So in essence, when a color camera is set for Mono 8, it outputs an 8 bit monochrome image. (This type of output is sometimes referred to as "Y Mono 8".)

The table below describes how the pixel data for a received frame will be ordered in the image buffer in your PC when a color camera is set for Mono 8 output.

The following standards are used in the table:

P_0 = the first pixel transmitted by the camera

P_n = the last pixel transmitted by the camera

B_0 = the first byte in the buffer

B_m = the last byte in the buffer

Byte	Data
B_0	Y value for P_0
B_1	Y value for P_1
B_2	Y value for P_2
B_3	Y value for P_3
B_4	Y value for P_4
B_5	Y value for P_5
B_6	Y value for P_6
B_7	Y value for P_7
•	•
•	•
•	•
B_{m-3}	Y value for P_{n-3}
B_{m-2}	Y value for P_{n-2}
B_{m-1}	Y value for P_{n-1}
B_m	Y value for P_n

With the camera set for Mono 8, the pixel data output is 8 bit data of the "unsigned char" type. The available range of data values and the corresponding indicated signal levels are as shown in the table below.

This Data Value (Hexadecimal)	Indicates This Signal Level (Decimal)
0xFF	255
0xFE	254
•	•
•	•
•	•
0x01	1
0x00	0

8.4 Pixel Transmission Sequence

For each captured image, pixel data is transmitted from the camera in the following sequence:

Row ₀ Col ₀ ,	Row ₀ Col ₁ ,	Row ₀ Col ₂	Row ₀ Col _{m-2} ,	Row ₀ Col _{m-1} ,	Row ₀ Col _m
Row ₁ Col ₀ ,	Row ₁ Col ₁ ,	Row ₁ Col ₂	Row ₁ Col _{m-2} ,	Row ₁ Col _{m-1} ,	Row ₁ Col _m
Row ₂ Col ₀ ,	Row ₂ Col ₁ ,	Row ₂ Col ₂	Row ₂ Col _{m-2} ,	Row ₂ Col _{m-1} ,	Row ₂ Col _m
:	:	:		:	:	:
:	:	:		:	:	:
Row _{n-2} Col ₀ ,	Row _{n-2} Col ₁ ,	Row _{n-2} Col ₂	Row _{n-2} Col _{m-2} ,	Row _{n-2} Col _{m-1} ,	Row _{n-2} Col _m
Row _{n-1} Col ₀ ,	Row _{n-1} Col ₁ ,	Row _{n-1} Col ₂	Row _{n-1} Col _{m-2} ,	Row _{n-1} Col _{m-1} ,	Row _{n-1} Col _m
Row _n Col ₀ ,	Row _n Col ₁ ,	Row _n Col ₂	Row _n Col _{m-2} ,	Row _n Col _{m-1} ,	Row _n Col _m

Where Row₀ Col₀ is the upper left corner of the sensor

The columns are numbered 0 through m from the left side to the right side of the sensor

The rows are numbered 0 through n from the top to the bottom of the sensor

The sequence assumes that the camera is set for full resolution.

9 Standard Features

This chapter provides detailed information about the standard features available on each camera. It also includes an explanation of their operation and the parameters associated with each feature.

9.1 Gain

The camera's gain setting is adjustable. As shown in Figure 63, increasing the gain increases the slope of the response curve for the camera. This results in a higher gray value output from the camera for a given amount of output from the imaging sensor. Decreasing the gain decreases the slope of the response curve and results in a lower gray value for a given amount of sensor output.

Increasing the gain is useful when at your brightest exposure, a gray value lower than 255 (in modes that output 8 bits per pixel) or 4095 (in modes that output 12 bits per pixels) is reached. For example, if you found that at your brightest exposure the gray values output by the camera were no higher than 127 (in an 8 bit mode), you could increase the gain to 6 dB (an amplification factor of 2) and thus reach gray values of 254.

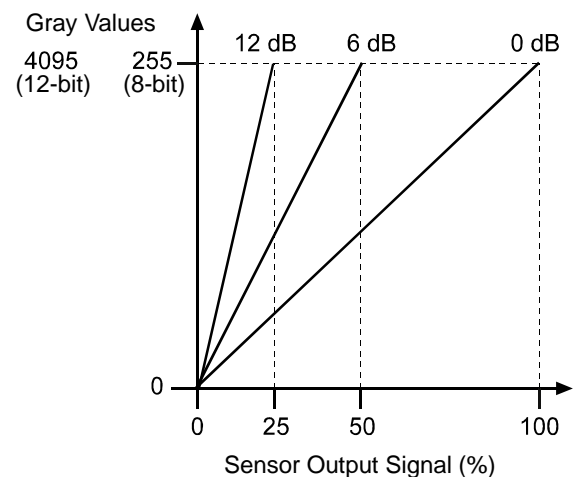


Fig. 63: Gain in dB

Setting the Gain (All Models Except scA750-60)



The information in this section applies to all camera models except the scA750-60 fm/fc. For information about scA750-60 fm/fc cameras, see the next section.



Gain can not only be manually set (see below), but can also be automatically adjusted. The Gain Auto function is the "automatic" counterpart of the gain feature and adjusts the Gain Raw parameter value automatically.

For more information about auto functions, see Section 9.11.1 on [page 210](#).

For more information about the Gain Auto function, see Section 9.11.2 on [page 217](#).

The camera's gain is determined by the value of the Gain Raw parameter. Gain Raw is adjusted on a decimal scale. The minimum decimal setting varies depending on the camera model and on whether vertical binning is enabled (see Table 17). The maximum setting depends on whether the camera is set for a pixel data format that yields 8 bit effective pixel depth (Mono 8, Bayer BG 8, YUV 4:2:2 Packed, YUV 4:2:2 (YUYV) Packed) or yields an effective pixel depth of 12 bits per pixel (Mono 16, Mono 12 Packed, Bayer BG 16, Bayer BG 12 Packed).

Camera Model	Min Setting	Min Setting with Vertical Binning	Max Setting (8 bit depth)	Max Setting (16 bit depth)
scA640-70	320	260	1023	511
scA640-74	280	200	1023	511
scA640-120	150	120	800	400
scA780-54	350	280	1023	511
scA1000-30	360	280	1023	511
scA1300-32	300	200	850	400
scA1390-17	350	280	1023	511
scA1400-17	192	110	1023	511
scA1400-30	150	0	850	400
scA1600-14	350	280	1023	511
scA1600-28	285	220	850	400

Table 17: Minimum and Maximum Allowed Gain Raw Settings

To set the Gain Raw parameter value:

- Set the Gain Selector to Gain All.
- Set the Gain Raw parameter to your desired value.

You can set the Gain Selector and the Gain Raw parameter value from within your application software by using the pylon API. The following code snippet illustrates using the API to set the selector and the parameter value:

```
Camera.GainSelector.SetValue( GainSelector_All );
Camera.GainRaw.SetValue( 400 );
```

For detailed information about using the pylon API, refer to the Basler pylon Programmer's Guide and API Reference.

You can also use the Basler pylon Viewer application to easily set the parameters.

For more information about the pylon Viewer, see Section 3.1.1 on [page 43](#).

If you know the current decimal setting for the gain raw, you can use the formulas below to calculate the dB of gain that will result from that setting.

Formulas for All Models Listed on the Previous Page (except scA640-120, scA1300-32, scA1400-30, and scA1600-28):

For gain raw settings from 110 to 511:

$$\text{Gain}_{\text{dB}} = 20 \times \log_{10} \left(\frac{658 + \text{Gain Raw Setting}}{658 - \text{Gain Raw Setting}} \right) - G_c$$

For gain raw settings from 512 to 1023:

$$\text{Gain}_{\text{dB}} = (0.0354 \times \text{Gain Raw Setting}) - G_c$$

Where:

$$G_c = 20 \times \log_{10} \left(\frac{658 + \text{Min Gain Raw Setting}}{658 - \text{Min Gain Raw Setting}} \right)$$

Example:

Assume that you are working with a monochrome scA1400-17 camera that has a gain raw setting of 500. Calculating the gain is a two step process:

Step 1:

$$G_c = 20 \times \log_{10} \left(\frac{658 + 192}{658 - 192} \right)$$

$$G_c = 5.22 \text{ dB}$$

Step 2:

$$\text{Gain}_{\text{dB}} = 20 \times \log_{10} \left(\frac{658 + 500}{658 - 500} \right) - 5.22 \text{ dB}$$

$$\text{Gain}_{\text{dB}} = 12.1 \text{ dB}$$

Calculation for the scA640-120, scA1300-32, scA1400-30, and scA1600-28:

For the entire range of raw settings:

$$\text{Gain}_{\text{dB}} = (0.0359 \times \text{Gain Raw Setting}) - G_c$$

Where:

$$G_c = (0.0359 \times \text{Min Gain Raw Setting})$$

Example:

Assume that you are working with a monochrome scA1400-30 camera that has a gain raw setting of 500. Calculating the gain is a two step process:

Step 1:

$$G_c = (0.0359 \times 150)$$

$$G_c = 5.385 \text{ dB}$$

Step 2:

$$\text{Gain}_{\text{dB}} = (0.0359 \times 500) - 5.385 \text{ dB}$$

$$\text{Gain}_{\text{dB}} = 12.57 \text{ dB}$$

Table 18 shows the minimum and maximum gain in dB for each camera model.

Camera Model	dB Gain at Min Setting	dB Gain at Max Setting (8 bit depth)	dB Gain at Max Setting (16 bit depth)
scA640-70	0	27	8.8
scA640-74	0	28.3	10.1
scA640-120	0	23.34	8.98
scA780-54	0	25.9	7.7
scA1000-30	0	25.5	7.3
scA1300-32	0	19.75	3.59
scA1390-17	0	25.5	7.3
scA1400-17	0	31.0	12.8
scA1400-30	0	25.13	9.0
scA1600-14	0	25.9	7.7
scA1600-28	0	20.29	4.13

Table 18: Minimum and Maximum dB of Gain

Setting the Gain (scA750-60 Only)



The information in this section only applies to scA750-60 fm/fc cameras. For information about the other camera models, see the previous section.



Gain can not only be manually set (see below), but can also be automatically adjusted. The Gain Auto function is the "automatic" counterpart of the gain feature and adjusts the Gain Raw parameter value automatically.

For more information about auto functions, see Section 9.11.1 on [page 210](#).

For more information about the Gain Auto function, see Section 9.11.2 on [page 217](#).

The camera's gain is determined by the value of the Gain Raw parameter. Gain Raw is adjusted on a decimal scale. The range for the Gain Raw parameter setting is from 0 to 22.

To set the Gain Raw parameter value:

- Set the Gain Selector to Gain All.
- Set the Gain Raw parameter to your desired value.

You can set the Gain Selector and the Gain Raw parameter value from within your application software by using the pylon API. The following code snippet illustrates using the API to set the selector and the parameter value:

```
Camera.GainSelector.SetValue( GainSelector_All );  
Camera.GainRaw.SetValue( 20 );
```

For detailed information about using the pylon API, refer to the Basler pylon Programmer's Guide and API Reference.

You can also use the Basler pylon Viewer application to easily set the parameters.

For more information about the pylon Viewer, see Section 3.1.1 on [page 43](#).

If you know the current decimal setting for the gain raw, you can use the following formula to calculate the dB of gain that will result from that setting:

$$\text{Gain}_{\text{dB}} = 20 \times \log_{10} \left(1 + \frac{\text{Gain Raw Setting}}{6} \right)$$

Example:

Assume that you are working with an scA750-60 camera that has a gain raw setting of 18. The gain is calculated as follows:

$$\text{Gain}_{\text{dB}} = 20 \times \log_{10} \left(1 + \frac{18}{6} \right)$$

$$\text{Gain}_{\text{dB}} = 12.0 \text{ dB}$$

Table 19 shows the dB of gain that will be achieved at various Gain Raw settings.

Gain Setting	dB Gain
0	0
5	5.3
10	8.5
15	10.9
20	12.7
22	13.4

Table 19: dB of Gain at Various Settings

9.2 Black Level

Adjusting the camera's black level will result in an offset to the pixel values output by the camera. Increasing the black level setting will result in a positive offset in the digital values output for the pixels. Decreasing the black level setting will result in a negative offset in the digital values output for the pixels.

Effect on All Camera Models Except the scA640-120, scA750-60, scA1300-32, scA1400-30, and scA1600-28

If the camera is set for a pixel data format that yields 8 bit effective pixel depth (Mono 8, Bayer BG 8, Bayer RG 8, YUV 4:2:2 Packed, YUV 4:2:2 (YUYV) Packed), an increase of 16 in the black level parameter setting will result in a positive offset of 1 in the digital values output for the pixels. And a decrease of 16 in the setting will result in a negative offset of 1 in the digital values output for the pixels.

If the camera is set for a pixel data format that yields an effective pixel depth of 12 bits per pixel (Mono 16, Mono 12 Packed, Bayer BG 16, Bayer RG 16, Bayer BG 12 Packed), an increase of 1 in the black level parameter setting will result in a positive offset of 1 in the digital values output for the pixels. A decrease of 1 in the setting will result in a negative offset of 1 in the digital values output for the pixels.

Effect on scA750-60 Models

An increase of 4 in the black level parameter setting will result in a positive offset of 1 in the digital values output for the pixels. And a decrease of 4 in the setting will result in a negative offset of 1 in the digital values output for the pixels.

Effect on scA640-120, scA1300-32, scA1400-30, and scA1600-28 Models

If the camera is set for a pixel data format that yields 8 bit effective pixel depth (Mono 8, Bayer BG 8, Bayer RG 8, YUV 4:2:2 Packed, YUV 4:2:2 (YUYV) Packed), an increase of 64 in the black level parameter setting will result in a positive offset of 1 in the digital values output for the pixels. And a decrease of 64 in the setting will result in a negative offset of 1 in the digital values output for the pixels.

If the camera is set for a pixel data format that yields an effective pixel depth of 12 bits per pixel (Mono 16, Mono 12 Packed, Bayer BG 16, Bayer RG 16, Bayer BG 12 Packed), an increase of 4 in the black level parameter setting will result in a positive offset of 1 in the digital values output for the pixels. A decrease of 4 in the setting will result in a negative offset of 1 in the digital values output for the pixels.

Setting the Black Level

The black level can be adjusted by changing the value of the Black Level Raw parameter. The Black Level Raw parameter value can range from 0 to 255 on all camera models except the scA750-60 fm/fc. On scA750-60 fm/fc cameras, the parameter value can range from 0 to 64. On scA1300-32 fm/fc and scA1400-30 fm/fc cameras, the parameter value can range from 0 to 1023.

To set the Black Level Raw parameter value:

- Set the Black Level Selector to Black Level All.
- Set the Black Level Raw parameter to your desired value.

You can set the Black Level Selector and the Black Level Raw parameter value from within your application software by using the pylon API. The following code snippet illustrates using the API to set the selector and the parameter value:

```
Camera.BlackLevelSelector.SetValue ( BlackLevelSelector_All );  
Camera.BlackLevelRaw.SetValue( 32 );
```

For detailed information about using the pylon API, refer to the Basler pylon Programmer's Guide and API Reference.

You can also use the Basler pylon Viewer application to easily set the parameters.

For more information about the pylon Viewer, see Section 3.1.1 on [page 43](#).

9.3 White Balance (on Color Models)

The white balance feature lets you adjust the balance of red, green, and blue such that white objects in the camera's field of view appear white in the acquired images.



White balance can not only be manually set (see below), but can also be automatically adjusted. The Balance White Auto function is the "automatic" counterpart of the white balance feature and adjusts the white balance automatically.

For more information about auto functions, see Section 9.11.1 on [page 210](#).

For more information about the Balance White Auto function, see Section 9.11.5 on [page 222](#).

Setting the White Balance

With the white balancing scheme used on these cameras, the red intensity, green intensity, and blue intensity can be individually adjusted. For each color, a Balance Ratio parameter is used to set the intensity of the color. If the Balance Ratio parameter for a color is set to a value of 1, the intensity of the color will be unaffected by the white balance mechanism. If the ratio is set to a value lower than 1, the intensity of the color will be reduced. If the ratio is set to a value greater than 1, the intensity of the color will be increased. The increase or decrease in intensity is proportional. For example, if the balance ratio for a color is set to 1.2, the intensity of that color will be increased by 20%.

The balance ratio value can range from 0.00 to 15.9844. But you should be aware that if you set the balance ratio for a color to a value lower than 1, this will not only decrease the intensity of that color relative to the other two colors, but will also decrease the maximum intensity that the color can achieve. For this reason, we don't normally recommend setting a balance ratio less than 1 unless you want to correct for the strong predominance of one color.

To set the Balance Ratio parameter for a color:

- Set the Balance Ratio Selector to red, green, or blue.
- Set the Balance Ratio Abs parameter to the desired value for the selected color.

You can set the Balance Ratio Selector and the Balance Ratio Abs parameter value from within your application software by using the Basler pylon API. The following code snippet illustrates using the API to set the selector and the parameter value:

```
Camera.BalanceRatioSelector.SetValue( BalanceRatioSelector_Green );  
Camera.BalanceRatioAbs.SetValue( 1.20 );
```

For detailed information about using the pylon API, refer to the Basler pylon Programmer's Guide and API Reference.

You can also use the Basler pylon Viewer application to easily set the parameters.

For more information about the pylon Viewer, see Section 3.1.1 on [page 43](#).

9.4 Digital Shift



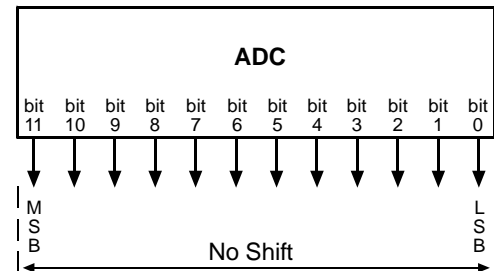
The information in this section applies to all camera models except the scA750-60fm/fc.

The digital shift feature lets you change the group of bits that is output from the ADC in the camera. Using the digital shift feature will effectively multiply the output of the camera by 2 times, 4 times, 8 times, or 16 times. The next two sections describe how the digital shift feature works when the camera is set for a 12 bit pixel format and when it is set for a 8 bit pixel format. There is also a section describing precautions that you must observe when using the digital shift feature and a section that describes enabling and setting the digital shift feature.

9.4.1 Digital Shift with 12 Bit Pixel Formats

No Shift

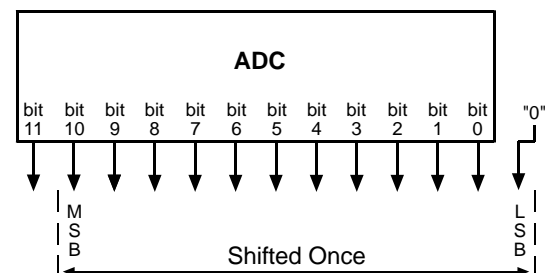
As mentioned in the Functional Description section of this manual, the camera uses a 12 bit ADC to digitize the output from the imaging sensor. When the camera is set for a pixel format that outputs pixel data at 12 bit effective depth, by default, the camera transmits the 12 bits that are output from the ADC.



Shift by 1

When the camera is set to shift by 1, the output from the camera will include bit 10 through bit 0 from the ADC along with a zero as an LSB.

The result of shifting once is that the output of the camera is effectively multiplied by 2. For example, assume that the camera is set for no shift, that it is viewing a uniform white target, and that under these conditions the reading for the brightest pixel is 100. If you changed the digital shift setting to shift by 1, the reading would increase to 200.



When the camera is set to shift by 1, the least significant bit output from the camera for each pixel value will be 0. This means that no odd gray values can be output and that the gray value scale will

only include values of 2, 4, 6, 8, 10, and so on. This absence of some gray values is commonly referred to as "missing codes".

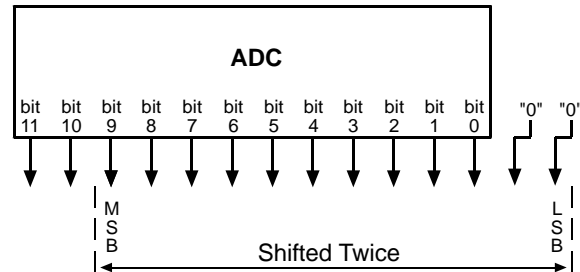
If the pixel values being output by the camera's sensor are high enough to set bit 11 to 1, we recommend not using shift by 1. If you do nonetheless, all bits output from the camera will automatically be set to 1. Therefore, you should only use the shift by 1 setting when your pixel readings with a 12 bit pixel format selected and with digital shift disabled are all less than 2048.

Shift by 2

When the camera is set to shift by 2, the output from the camera will include bit 9 through bit 0 from the ADC along with 2 zeros as LSBs.

The result of shifting twice is that the output of the camera is effectively multiplied by 4.

When the camera is set to shift by 2, the 2 least significant bits output from the camera for each pixel value will be 0. This means that the gray value scale will only include every 4th value, for example, 4, 8, 16, 20, and so on.



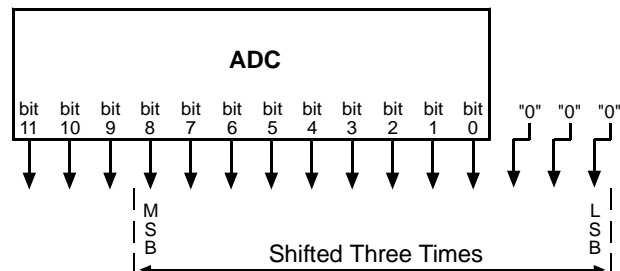
If the pixel values being output by the camera's sensor are high enough to set bit 10 or bit 11 to 1, we recommend not using shift by 2. If you do nonetheless, all bits output from the camera will automatically be set to 1. Therefore, you should only use the shift by 2 setting when your pixel readings with a 12 bit pixel format selected and with digital shift disabled are all less than 1024.

Shift By 3

When the camera is set to shift by 3, the output from the camera will include bit 8 through bit 0 from the ADC along with 3 zeros as LSBs.

The result of shifting 3 times is that the output of the camera is effectively multiplied by 8.

When the camera is set to shift by 3, the 3 least significant bits output from the camera for each pixel value will be 0. This means that the gray value scale will only include every 8th gray value, for example, 8, 16, 24, 32, and so on.



If the pixel values being output by the camera's sensor are high enough to set bit 9, bit 10, or bit 11 to 1, we recommend not using shift by 3. If you do nonetheless, all bits output from the camera will automatically be set to 1. Therefore, you should only use the shift by 3 setting when your pixel readings with a 12 bit pixel format selected and with digital shift disabled are all less than 512.

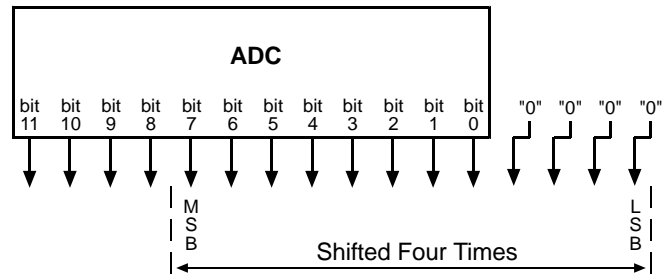
Shift By 4

When the camera is set to shift by 4, the output from the camera will include bit 7 through bit 0 from the ADC along with 4 zeros as LSBs.

The result of shifting 4 times is that the output of the camera is effectively multiplied by 16.

When the camera is set to shift by 4, the 4 least significant bits output from the camera for each pixel value will be 0. This means that the gray value scale will only include every 16th gray value, for example, 16, 32, 48, 64, and so on.

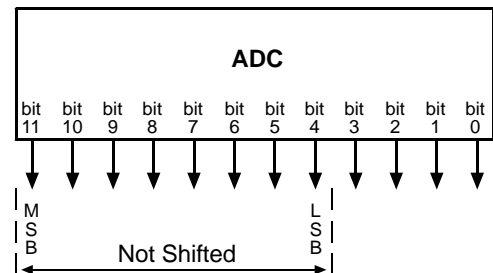
If the pixel values being output by the camera's sensor are high enough to set bit 8, bit 9, bit 10, or bit 11 to 1, we recommend not using shift by 4. If you do nonetheless, all bits output from the camera will automatically be set to 1. Therefore, you should only use the shift by 4 setting when your pixel readings with a 12 bit pixel format selected and with digital shift disabled are all less than 256.



9.4.2 Digital Shift with 8 Bit Pixel Formats

No Shift

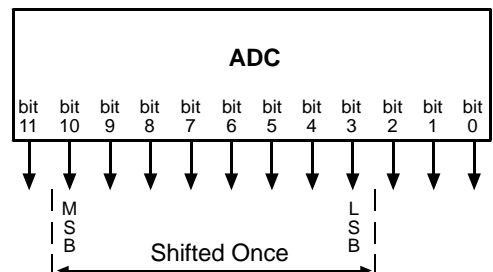
As mentioned in the Functional Description section of this manual, the camera uses a 12 bit ADC to digitize the output from the imaging sensor. When the camera is set for a pixel format that outputs pixel data at 8 bit effective depth, by default, the camera drops the 4 least significant bits from the ADC and transmits the 8 most significant bits (bit 11 through 4).



Shift by 1

When the camera is set to shift by 1, the output from the camera will include bit 10 through bit 3 from the ADC.

The result of shifting once is that the output of the camera is effectively multiplied by 2. For example, assume that the camera is set for no shift, that it is viewing a uniform white target, and that under these conditions the reading for the brightest pixel is 10. If you changed the digital shift setting to shift by 1, the reading would increase to 20.



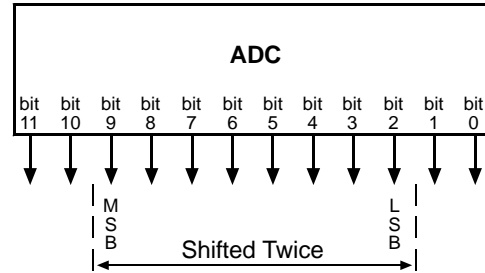
If the pixel values being output by the camera's sensor are high enough to set bit 11 to 1, we recommend not using shift by 1. If you do nonetheless, all bits output from the camera will automatically be set to 1. Therefore, you should only use the shift by 1 setting when your pixel readings with an 8 bit pixel format selected and with digital shift disabled are all less than 128.

Shift by 2

When the camera is set to shift by 2, the output from the camera will include bit 9 through bit 2 from the ADC.

The result of shifting twice is that the output of the camera is effectively multiplied by 4.

If the pixel values being output by the camera's sensor are high enough to set bit 10 or bit 11 to 1, we recommend not using shift by 2. If you do nonetheless, all bits output from the camera will automatically be set to 1. Therefore, you should only use the shift by 2 setting when your pixel readings with an 8 bit pixel format selected and with digital shift disabled are all less than 64.

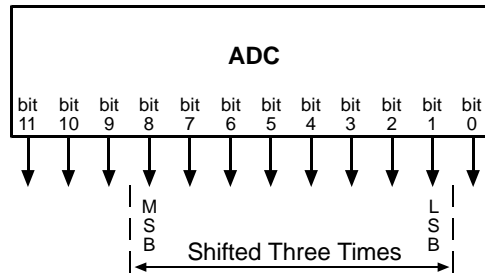


Shift by 3

When the camera is set to shift by 3, the output from the camera will include bit 8 through bit 1 from the ADC.

The result of shifting three times is that the output of the camera is effectively multiplied by 8.

If the pixel values being output by the camera's sensor are high enough to set bit 9, bit 10, or bit 11 to 1, we recommend not using shift by 3. If you do nonetheless, all bits output from the camera will automatically be set to 1. Therefore, that you should only use the shift by 3 setting when your pixel readings with an 8 bit pixel format selected and with digital shift disabled are all less than 32.

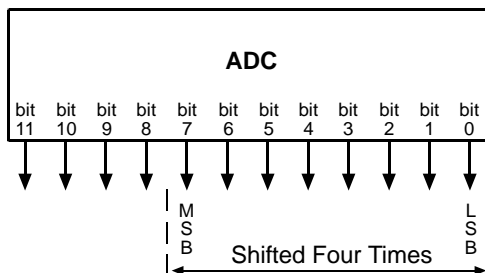


Shift by 4

When the camera is set to shift by 4, the output from the camera will include bit 7 through bit 0 from the ADC.

The result of shifting four times is that the output of the camera is effectively multiplied by 16.

If the pixel values being output by the camera's sensor are high enough to set bit 8, bit 9, bit 10, or bit 11 to 1, we recommend not using shift by 4. If you do nonetheless, all bits output from the camera will



automatically be set to 1. Therefore, you should only use the multiply by 4 setting when your pixel readings with an 8 bit pixel format selected and with digital shift disabled are all less than 16.

9.4.3 Precautions When Using Digital Shift

There are several checks and precautions that you must follow before using the digital shift feature. The checks and precautions differ depending on whether the camera will be set for a 12 bit pixel format or for an 8 bit pixel format in your application.

If you will be using a 12 bit pixel format, make this check:

Use the pylon Viewer or the pylon API to set the camera for a 12 bit pixel format and **no digital shift**.

Check the output of the camera under your normal lighting conditions and note the readings for the brightest pixels.

- If any of the readings are above 2048, do not use digital shift.
- If all of the readings are below 2048, you can safely use the shift by 1 setting.
- If all of the readings are below 1024, you can safely use the shift by 1 or 2 settings.
- If all of the readings are below 512, you can safely use the shift by 1, 2, or 3 settings.
- If all of the readings are below 256, you can safely use the shift by 1, 2, 3, or 4 settings.

If you will be using an 8 bit format, make this check:

Use the pylon Viewer or the pylon API to set the camera for a 8 bit pixel format and **no digital shift**.

Check the output of the camera under your normal lighting conditions and note the readings for the brightest pixels.

- If any of the readings are above 128, do not use digital shift.
- If all of the readings are below 128, you can safely use the shift by 1 setting.
- If all of the readings are below 64, you can safely use the shift by 1 or 2 settings.
- If all of the readings are below 32, you can safely use the shift by 1, 2, or 3 settings.
- If all of the readings are below 16, you can safely use the shift by 1, 2, 3, or 4 settings.

9.4.4 Enabling and Setting Digital Shift

You can enable or disable the digital shift feature by setting the value of the Digital Shift parameter. When the parameter is set to zero, digital shift will be disabled. When the parameter is set to 1, 2, 3, or 4, digital shift will be set to shift by 1, shift by 2, shift by 3, or shift by 4 respectively.

You can set the Digital Shift parameter values from within your application software by using the Basler pylon API. The following code snippet illustrates using the API to set the parameter values:

```
// Disable digital shift
Camera.DigitalShift.SetValue( 0 );

// Enable digital shift by 2
Camera.DigitalShift.SetValue( 2 );
```

For detailed information about using the pylon API, refer to the Basler pylon Programmer's Guide and API Reference.

You can also use the Basler pylon Viewer application to easily set the parameters.

For more information about the pylon Viewer, see Section 3.1.1 on [page 43](#).

9.5 Integrated IR Cut Filter (on Color Models)

Color models of the camera that have a C-mount lens adapter are equipped with an IR cut filter as standard equipment. The filter is mounted inside of the lens adapter. Cameras without an IR cut filter are available on request.

Color cameras that have the optional CS-mount lens adapter do not include an IR cut filter in the adapter.

Monochrome cameras do not include an IR cut filter in the lens adapter. Monochrome cameras with a C-mount lens adapter can be equipped with a filter on request.



CAUTION

Lens Thread Length is Limited

The location of the IR cut filter limits the length of the threads on any lens you use with the camera. If a lens with a very long thread length is used, the IR cut filter will be damaged or destroyed and the camera will no longer operate.

For more information about the location of the IR cut filter, see Section 1.5.3 on [page 32](#).

9.6 Area of Interest (AOI)

The area of interest (AOI) feature lets you specify a portion of the sensor array and after each image is acquired, only the pixel information from the specified portion of the array is transmitted to the host PC.

The area of interest is referenced to the top left corner of the sensor array. The top left corner is designated as column 0 and row 0 as shown in Figure 64.

The location and size of the area of interest is defined by declaring an X offset (coordinate), a width, a Y offset (coordinate), and a height. For example, suppose that you specify the x offset as 10, the width as 16, the y offset as 6, and the height as 10. The area of the array that is bounded by these settings is shown in Figure 64.

The camera will only transfer pixel data from within the area defined by your settings. Information from the pixels outside of the area of interest is discarded.

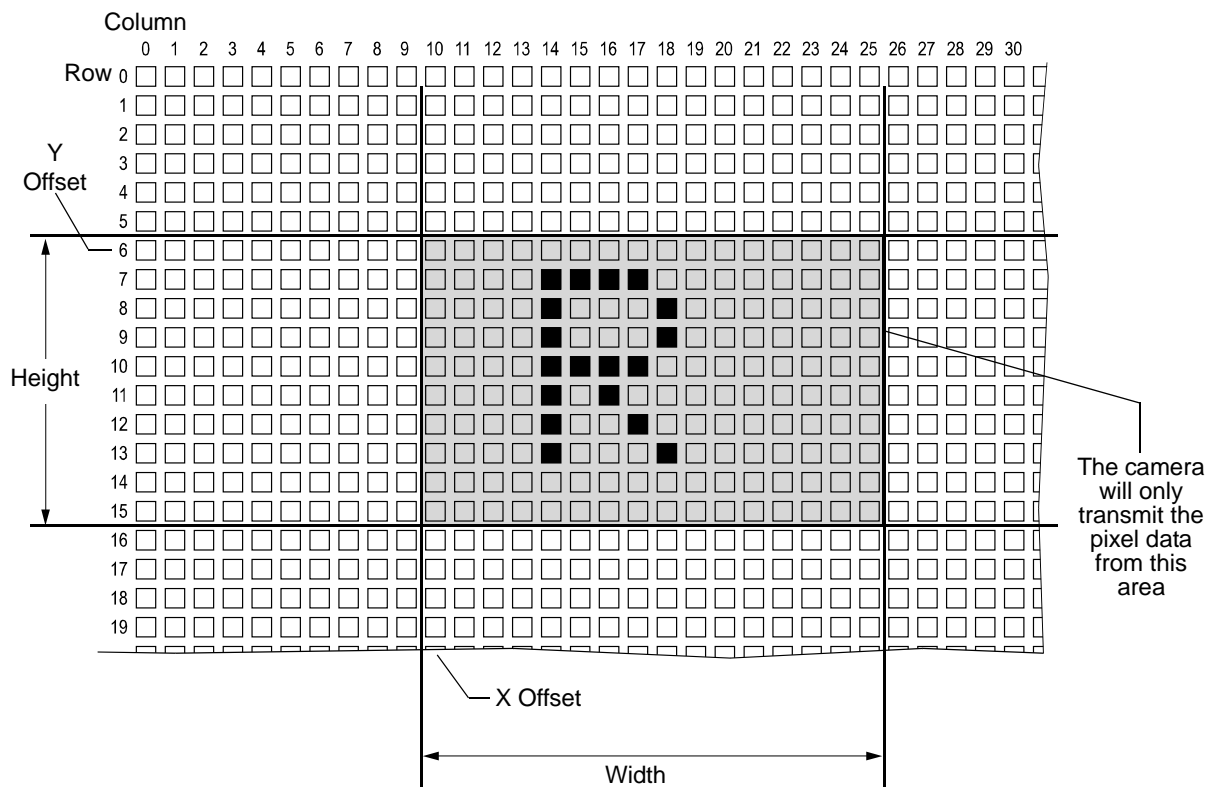


Fig. 64: Area of Interest

One of the main advantages of the AOI feature is that decreasing the height of the AOI can increase the camera's maximum allowed acquisition frame rate.

For more information about how changing the AOI height affects the maximum allowed frame rate, see Section 7.13 on [page 139](#).

Setting the AOI

Except for the scA1300-32 and scA1600-28 cameras, the AOI is set by default to use the full resolution of the camera's sensor. For the scA1300-32 cameras, the default resolution is set to 1280 x 960 pixels for mono models, and to 1278 x 958 pixels for color models. For the scA1600-28 cameras, the default resolution is set to 1626 x 1232 pixels for mono models, and to 1624 x 1230 pixels for color models.

You can change the size and the position of the AOI by changing the value of the camera's X Offset, Y Offset, Width, and Height parameters.

- The value of the X Offset parameter determines the starting column for the area of interest.
- The value of the Y Offset parameter determines the starting row for the area of interest.
- The value of the Width parameter determines the width of the area of interest.
- The value of the Height parameter determines the height of the area of interest.

When you are setting the camera's area of interest, you must follow these guidelines:

- The sum of the current X Offset setting plus the current Width setting must not exceed the width of the sensor in the camera model you are using. For example, on the monochrome version of the scA640-70, the sum of the current X Offset setting plus the current Width setting must not exceed 659.
- The sum of the current Y Offset setting plus the current Height setting must not exceed the height of the sensor in the camera model you are using. For example, on the monochrome version of the scA640-70, the sum of the current Y Offset setting plus the current Height setting must not exceed 494.

On monochrome cameras:

The X Offset, Y Offset, Width, and Height parameters can be set in increments of 1.

On color cameras:

The X Offset, Y Offset, Width, and Height parameters can be set in increments of 2 and they must be set to an even number. For example, the X Offset parameter can be set to 0, 2, 4, 6, 8, etc.



Normally, the X Offset, Y Offset, Width, and Height parameter settings refer to the physical columns and lines in the sensor. But if binning is enabled, these parameters are set in terms of "virtual" columns and lines. For more information, see Section 9.6 on [page 194](#).

You can set the X Offset, Y Offset, Width, and Height parameter values from within your application software by using the Basler pylon API. The following code snippets illustrate using the API to get the maximum allowed settings and the increments for the Width and Height parameters. They also illustrate setting the X Offset, Y Offset, Width, and Height parameter values

```
int64_t widthMax = Camera.Width.GetMax( );
int64_t widthInc = Camera.Width.GetInc( );
Camera.Width.SetValue( 200 );
Camera.OffsetX.SetValue( 100 );

int64_t heightMax = Camera.Height.GetMax( );
int64_t heightInc = Camera.Height.GetInc( );
Camera.Height.SetValue( 200 );
Camera.OffsetY.SetValue( 100 );
```

For detailed information about using the pylon API, refer to the Basler pylon Programmer's Guide and API Reference.

You can also use the Basler pylon Viewer application to easily set the parameters.

For more information about the pylon Viewer, see Section 3.1.1 on [page 43](#).

9.6.1 Changing AOI Parameters "On-the-Fly"

Making AOI parameter changes "on-the-fly" means making the parameter changes while the camera is capturing images continuously. On-the-fly changes are only allowed for the parameters that determine the position of the AOI, i.e., the Offset X and Offset Y parameters. Changes to the AOI size are not allowed on-the-fly.

9.7 Binning (All Models Except scA750-60)



- The binning feature is only available on the monochrome cameras.
- The binning feature is not available on scA750-60 cameras.

Binning increases the camera's response to light by summing the charges from adjacent pixels into one pixel. Two types of binning are available: vertical binning and horizontal binning.

With vertical binning, adjacent pixels from 2 lines, 3 lines, or a maximum of 4 lines in the imaging sensor array are summed and are reported out of the camera as a single pixel. Figure 65 illustrates vertical binning.

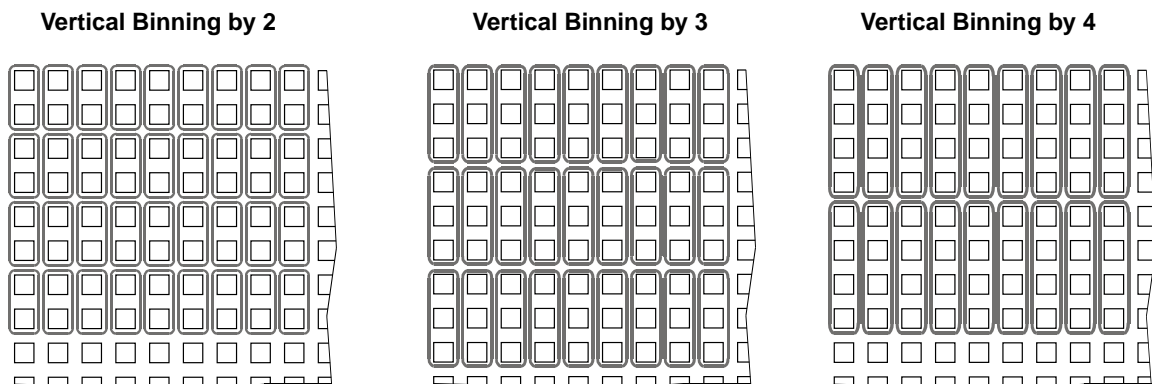


Fig. 65: Vertical Binning

With horizontal binning, adjacent pixels from 2 columns, 3 columns, or a maximum of 4 columns are summed and are reported out of the camera as a single pixel. Figure 66 illustrates horizontal binning.

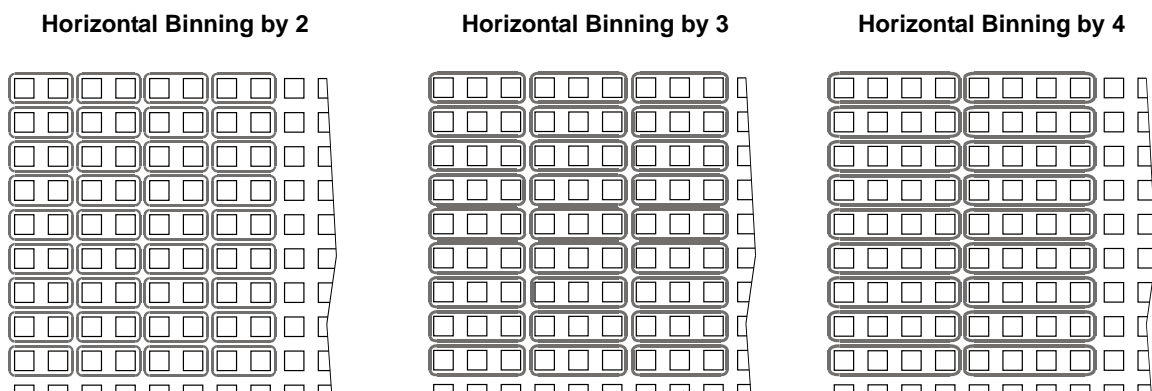


Fig. 66: Horizontal Binning

You can combine vertical and horizontal binning. This, however, may cause objects to appear distorted in the image. For more information on possible image distortion due to combined vertical and horizontal binning, see below.

Setting Binning

You can enable vertical binning by setting the Binning Vertical parameter. Setting the parameter's value to 2, 3, or 4 enables vertical binning by 2, vertical binning by 3, or vertical binning by 4 respectively. Setting the parameter's value to 1 disables vertical binning.

You can enable horizontal binning by setting the Binning Horizontal parameter. Setting the parameter's value to 2, 3, or 4 enables horizontal binning by 2, horizontal binning by 3, or horizontal binning by 4 respectively. Setting the parameter's value to 1 disables horizontal binning.

You can set the Binning Vertical or the Binning Horizontal parameter value from within your application software by using the Basler pylon API. The following code snippet illustrates using the API to set the parameter values:

```
// Enable vertical binning by 2
Camera.BinningVertical.SetValue( 2 );

// Enable horizontal binning by 4
Camera.BinningHorizontal.SetValue( 4 );

// Disable vertical and horizontal binning
Camera.BinningVertical.SetValue( 1 );
Camera.BinningHorizontal.SetValue( 1 );
```

For detailed information about using the pylon API, refer to the Basler pylon Programmer's Guide and API Reference.

You can also use the Basler pylon Viewer application to easily set the parameters.

9.7.1 Considerations When Using Binning

Increased Response to Light

Using binning can greatly increase the camera's response to light. When binning is enabled, acquired images may look overexposed. If this is the case, you can reduce the lens aperture, reduce the intensity of your illumination, reduce the camera's exposure time setting, or reduce the camera's gain setting.

When using vertical binning, the limits for the minimum gain settings are automatically lowered. This allows you to use lower gain settings than would otherwise be available.

For the lowered limits for the minimum gain settings, see Section 9.1 on [page 177](#).

Reduced Resolution

Using binning effectively reduces the resolution of the camera's imaging sensor. For example, the sensor in the scA780-54gm camera normally has a resolution of 782 (H) x 582 (V). If you set this camera to use horizontal binning by 3 and vertical binning by 3, the effective resolution of the sensor is reduced to 260 (H) by 194 (V). (Note that the 782 pixel horizontal dimension of the sensor was not evenly divisible by 3, so we rounded down to the nearest whole number.)

Possible Image Distortion

Objects will only appear undistorted in the image if the numbers of binned lines and columns are equal. With all other combinations, the imaged objects will appear distorted. If, for example, vertical binning by 2 is combined with horizontal binning by 4 the widths of the imaged objects will appear shrunk by a factor of 2 compared to the heights.

If you want to preserve the aspect ratios of imaged objects when using binning you must use vertical and horizontal binning where equal numbers of lines and columns are binned, e.g. vertical binning by 3 combined with horizontal binning by 3.

Binning's Effect on AOI Settings

When you have the camera set to use binning, keep in mind that the settings for your area of interest (AOI) will refer to the binned lines and columns in the sensor and not to the physical lines in the sensor as they normally would. Another way to think of this is by using the concept of a "virtual sensor." For example, assume that you are using a scA780-54gm camera set for 3 by 3 binning as described above. In this case, you would act as if you were actually working with a 260 column by 194 line sensor when setting your AOI parameters. The maximum AOI width would be 260 and the maximum AOI height would be 194. When you set the X Offset and the Width for the AOI, you will be setting these values in terms of virtual sensor columns. And when you set the Y Offset and the Height for the AOI, you will be setting these values in terms of virtual sensor lines.

For more information about the area of interest (AOI) feature, see Section 9.6 on [page 194](#).

Binning's Effect on the Sensor Readout and Frame Rate Formulas

In several areas of the manual, formulas appear for sensor readout time and for calculating the maximum frame rate. In several of these formulas, you must enter the current height of the area of interest (AOI). If you are not using binning, you would enter the height of the AOI in physical sensor lines. If binning is enabled, however, you must use the concept of a "virtual" sensor as described above and the height of the AOI that you use in the formulas would be in terms of virtual sensor lines.

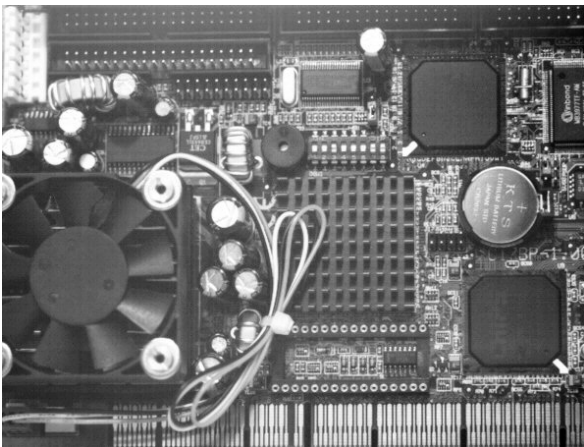
The affected formulas are on [page 137](#), [page 140](#).

9.8 Reverse X

The reverse X feature is a horizontal mirror image feature. When the reverse X feature is enabled, the pixel values for each line in a captured image will be swapped end-for-end about the line's center. This means that for each line, the value of the first pixel in the line will be swapped with the value of the last pixel, the value of the second pixel in the line will be swapped with the value of the next-to-last pixel, and so on.

Figure 67 shows a normal image on the left and an image captured with reverse X enabled on the right.

Normal Image



Mirror Image

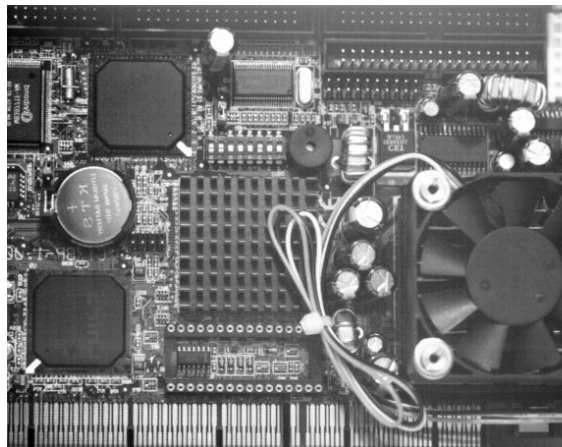


Fig. 67: Reverse X Mirror Imaging

Using AOIs with Reverse X

You can use the AOI feature when using the reverse X feature. Note, however, that the position of an AOI relative to the sensor remains the same regardless of whether or not the reverse X feature is enabled.

As a consequence, an AOI will display different images depending on whether or not the reverse X feature is enabled.

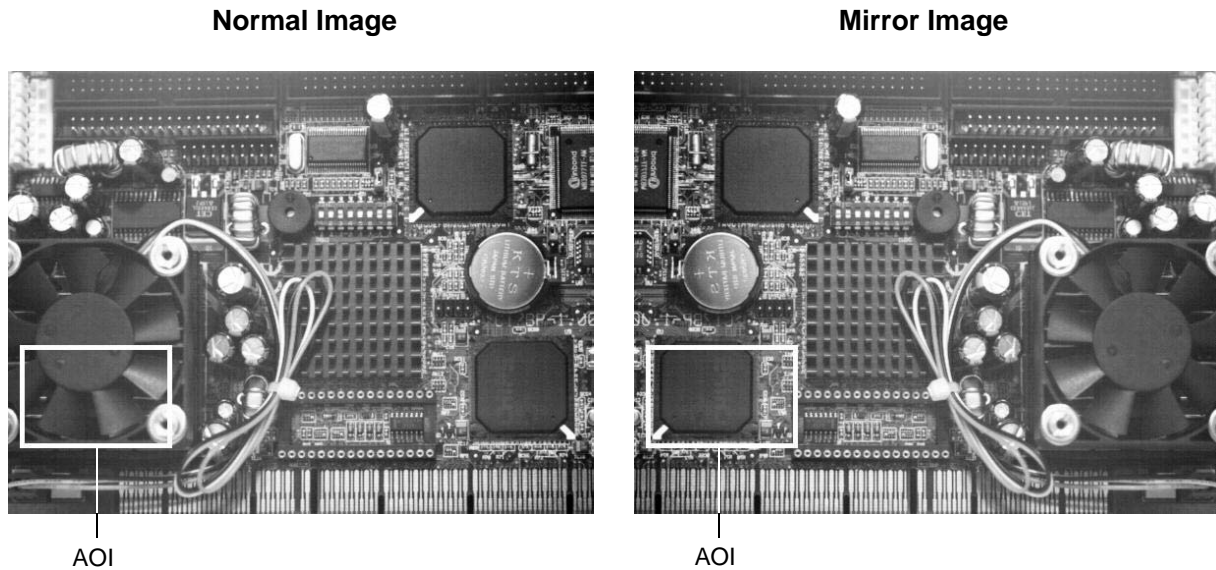




Fig. 68: Using an AOI with Reverse X Mirror Imaging

	<p>For color cameras, provisions are made ensuring that the effective color filter alignment will be constant for both, normal and mirror images.</p>
	<p>AOIs used for the auto function feature will behave analogously to "standard" AOIs:</p> <ul style="list-style-type: none"> ■ Depending on whether or not the reverse X feature is enabled, an Image AOI will display different images and an Auto Function AOI will refer to different image contents. ■ The positions of the AOIs relative to the sensor will not change.

For more information about auto functions, see Section 9.11 on [page 210](#).

Setting Reverse X

You can enable or disable the reverse X feature by setting the ReverseX parameter value. You can set the parameter value from within your application software by using the Basler pylon API. The following code snippet illustrates using the API to set the parameter value:

```
// Enable reverse X  
Camera.ReverseX.SetValue(true);
```

For detailed information about using the pylon API, refer to the Basler pylon Programmer's Guide and API Reference.

You can also use the Basler pylon Viewer application to easily set the parameter.

For more information about the pylon Viewer, see Section 3.1.1 on [page 43](#).

9.9 Luminance Lookup Table

9.9.1 Lookup Table (All Models Except scA750-60)



The information in this section applies to all camera models except the scA750-60 fm/fc. For information about scA750-60 fm/fc cameras, see Section 9.9.2 on [page 206](#).

On these cameras, pixel data is acquired at 12 bit depth. When a monochrome camera is set for the Mono 16 or Mono 12 packed pixel format or a color camera is set for the Bayer BG 16 or the Bayer BG 12 packed pixel format, the camera outputs pixel data with 12 effective bits. Normally, the effective 12 bits transmitted out of the camera for each pixel directly represent the 12 bits reported by the camera's ADC. The luminance lookup table feature lets you use a custom 12 bit to 12 bit lookup table to map the 12 bits reported out of the ADC to 12 bits that will be transmitted by the camera.

The lookup table is essentially just a list of 4096 values, however, not every value in the table is actually used. If we number the values in the table from 0 through 4095, the table works like this:

- The number at location 0 in the table represents the effective 12 bits that will be transmitted out of the camera when the sensor reports that a pixel has a value of 0.
- The numbers at locations 1 through 7 are not used.
- The number at location 8 in the table represents the effective 12 bits that will be transmitted out of the camera when the sensor reports that a pixel has a value of 8.
- The numbers at locations 9 through 15 are not used.
- The number at location 16 in the table represents the effective 12 bits that will be transmitted out of the camera when the sensor reports that a pixel has a value of 16.
- The numbers at locations 17 through 23 are not used.
- The number at location 24 in the table represents the effective 12 bits that will be transmitted out of the camera when the sensor reports that a pixel has a value of 24.
- And so on.

As you can see, the table does not include a user defined 12 bit value for every pixel value that the sensor can report. So what does the camera do when the sensor reports a pixel value that is between two values that have a defined 12 bit output? In this case, the camera performs a straight line interpolation to determine the value that it should transmit. For example, assume that the sensor reports a pixel value of 12. In this case, the camera would perform a straight line interpolation between the values at location 8 and location 16 in the table. The result of the interpolation would be reported out of the camera as the 12 bit output.

Another thing to keep in mind about the table is that location 4088 is the last location that will have a defined 12 bit value associated with it. (Locations 4089 through 4095 are not used.) If the sensor reports a value above 4088, the camera will not be able to perform an interpolation. In cases where

the sensor reports a value above 4088, the camera simply transmits the 12 bit value from location 4088 in the table.

The advantage of the luminance lookup table feature is that it allows a user to customize the response curve of the camera. The graphs below show the effect of two typical lookup tables. The first graph is for a lookup table where the values are arranged so that the output of the camera increases linearly as the sensor output increases. The second graph is for a lookup table where the values are arranged so that the camera output increases quickly as the sensor output moves from 0 through 2048 and increases gradually as the sensor output moves from 2049 through 4096.

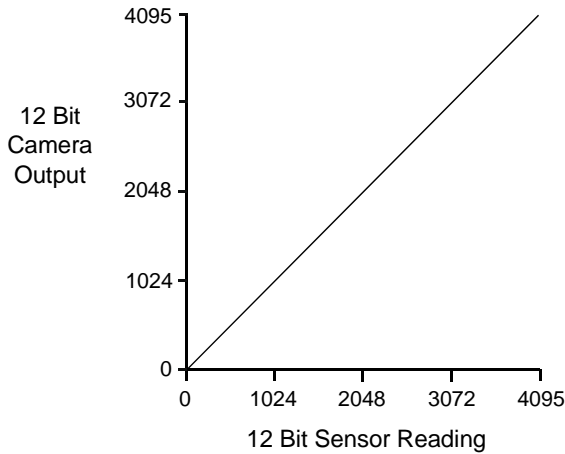


Fig. 69: Lookup Table with Values Mapped in a Linear Fashion

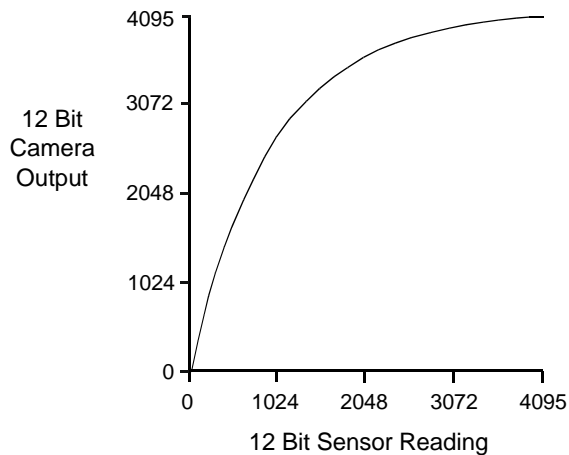


Fig. 70: Lookup Table with Values Mapped for Higher Camera Output at Low Sensor Readings

Using the Luminance Lookup Table to Get 8 Bit Output

As mentioned above, when the camera is set for a pixel format where it outputs 12 effective bits, the lookup table is used to perform a 12 bit to 12 bit conversion. But the lookup table can also be used in 12 bit to 8 bit fashion. To use the table in 12 bit to 8 bit fashion, you enter 12 bit values into the table and enable the table as you normally would. But instead of setting the camera for a pixel format that results in a camera output with 12 bits effective, you set the camera for a pixel format that results in 8 bit output (such as Mono 8, Bayer BG 8, or YUV 4:2:2 Packed). In this situation, the camera will first use the values in the table to do a 12 bit to 12 bit conversion. It will then drop the 4 least significant bits of the converted value and will transmit the 8 most significant bits.

Changing the Values in the Luminance Lookup Table and Enabling the Table

You can change the values in the luminance lookup table (LUT) and enable the use of the lookup table by doing the following:

- Use the LUT Selector to select a lookup table. (Currently there is only one lookup table available, i.e., the "luminance" lookup table described above.)
- Use the LUT Index parameter to select a value in the lookup table. The LUT Index parameter selects the value in the table to change. The index number for the first value in the table is 0, for the second value in the table is 1, for the third value in the table is 2, and so on.
- Use the LUT Value parameter to set the selected value in the lookup table.
- Use the LUT Index parameter and LUT value parameters to set other table values as desired.
- Use the LUT Enable parameter to enable the table.

You can set the LUT Selector, the LUT Index parameter and the LUT Value parameter from within your application software by using the pylon API. The following code snippet illustrates using the API to set the selector and the parameter values:

```
// Select the lookup table
Camera.LUTSelector.SetValue( LUTSelector_Luminance );

// Write a lookup table to the device.
// The following lookup table causes an inversion of the sensor values
// ( bright -> dark, dark -> bright )
for ( int i = 0; i < 4096; i += 8 )
{
    Camera.LUTIndex.SetValue( i );
    Camera.LUTValue.SetValue( 4095 - i );
}
// Enable the lookup table
Camera.LUTEnable.SetValue( true );
```

For detailed information about using the pylon API, refer to the Basler pylon Programmer's Guide and API Reference.

You can also use the Basler pylon Viewer application to easily set the parameters.

For more information about the pylon Viewer, see Section 3.1.1 on [page 43](#).

9.9.2 Lookup Table (scA750-60 Only)



The information in this section only applies to scA750-60 fm/fc cameras. For information about the other camera models, see Section 9.9.1 on [page 203](#).

On these cameras, pixel data is acquired at 10 bit depth. Before the pixel values are transmitted out of the camera, the two least significant bits are dropped and the pixel data is transmitted at 8 bit depth.

Normally, the 10 bit pixel data reported by the sensor's ADCs is directly used to generate the 8 bit output transmitted by the camera. The luminance lookup table feature lets you use a custom 10 bit to 10 bit lookup table to map the 10 bit output reported by the ADCs to 10 bit values of your choice. The mapped 10 bit values will then be truncated and transmitted by the camera as 8 bit values.

The lookup table is essentially just a list of 1024 values, however, not every value in the table is actually used. If we number the values in the table from 0 through 1023, the table works like this:

- The number at location 0 in the table represents the mapped 10 bit value that will be used when the sensor reports that a pixel has a value of 0.
- The number at location 1 is not used.
- The number at location 2 in the table represents the mapped 10 bit value that will be used when the sensor reports that a pixel has a value of 2.
- The number at location 3 is not used.
- The number at location 4 in the table represents the mapped 10 bit value that will be used when the sensor reports that a pixel has a value of 4.
- The number at location 5 is not used.
- The number at location 6 in the table represents the mapped 10 bit value that will be used when the sensor reports that a pixel has a value of 6.
- And so on.

As you can see, the table does not include a mapped 10 bit output value for every pixel value that the sensor can report. So what does the camera do when the sensor reports a pixel value that is between two values that have a mapped 10 bit output? In this case, the camera performs a straight line interpolation between the two nearest neighbors to determine the value that it should use. For example, assume that the sensor reports a pixel value of 5. In this case, the camera would perform an interpolation between the values at location 4 and location 6 in the table. The result of the interpolation would be used as the mapped 10 bit value.

Another thing to keep in mind about the table is that location 1022 is the last location that will have a mapped 10 bit value associated with it. If the sensor reports a pixel value of 1023, the camera will not be able to perform an interpolation. In this case, the camera simply uses the mapped 10 bit value from location 1022 in the table.

The advantage of the luminance lookup table feature is that it allows a user to customize the response curve of the camera. The graphs on the next page show the effect of two typical lookup tables. The first graph is for a lookup table where the values are arranged so that the output of the camera increases linearly as the sensor output increases. The second graph is for a lookup table

where the values are arranged so that the camera output increases quickly as the sensor output moves from 0 through 512 and increases gradually as the sensor output moves from 513 through 1023.

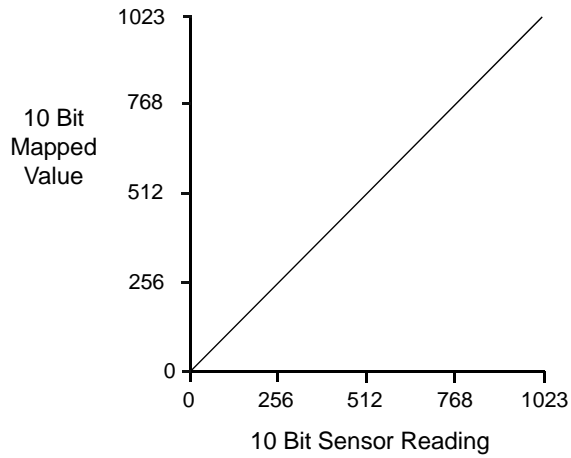


Fig. 71: Lookup Table with Values Mapped in a Linear Fashion

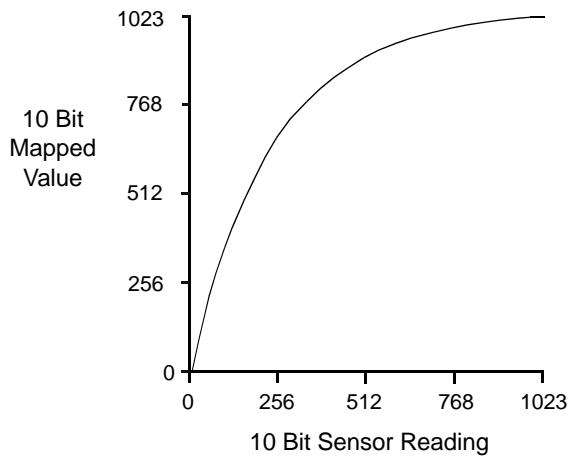


Fig. 72: Lookup Table with Values Mapped for Higher Camera Output at Low Sensor Readings

Changing the Values in the Luminance Lookup Table and Enabling the Table

You can change the values in the luminance lookup table (LUT) and enable the use of the lookup table by doing the following:

- Use the LUT Selector to select a lookup table. (Currently there is only one lookup table available, i.e., the "luminance" lookup table described above.)
- Use the LUT Index parameter to select a value in the lookup table. The LUT Index parameter selects the value in the table to change. The index number for the first value in the table is 0, for the second value in the table is 1, for the third value in the table is 2, and so on.
- Use the LUT Value parameter to set the selected value in the lookup table.
- Use the LUT Index parameter and LUT value parameters to set other table values as desired.
- Use the LUT Enable parameter to enable the table.

You can set the LUT Selector, the LUT Index parameter and the LUT Value parameter from within your application software by using the pylon API. The following code snippet illustrates using the API to set the selector and the parameter values:

```
// Select the lookup table
Camera.LUTSelector.SetValue( LUTSelector_Luminance );

// Write a lookup table to the device.
// The following lookup table causes an inversion of the sensor values
// ( bright -> dark, dark -> bright )
for ( int i = 0; i < 1024; i += 2 )
{
    Camera.LUTIndex.SetValue( i );
    Camera.LUTValue.SetValue( 1023 - i );
}
// Enable the lookup table
Camera.LUTEnable.SetValue( true );
```

For detailed information about using the pylon API, refer to the Basler pylon Programmer's Guide and API Reference.

You can also use the Basler pylon Viewer application to easily set the parameters.

For more information about the pylon Viewer, see Section 3.1.1 on [page 43](#).

9.10 Gamma

The gamma correction feature lets you modify the brightness of the pixel values output by the camera's sensor to account for a non-linearity in the human perception of brightness. To accomplish the correction, a gamma correction factor (γ) is applied to the brightness value (Y) of each pixel according to the following formula:

$$Y_{\text{corrected}} = \left(\frac{Y_{\text{uncorrected}}}{Y_{\text{max}}} \right)^{\gamma} \times Y_{\text{max}}$$

The formula uses uncorrected and corrected pixel brightnesses that are normalized by the maximum pixel brightness. The maximum pixel brightness equals 255 for 8 bit output and 4095 for 12 bit output.

When the gamma correction factor is set to 1, the output pixel brightness will not be corrected.

A gamma correction factor between 0 and 1 will result in increased overall brightness, and a gamma correction factor greater than 1 will result in decreased overall brightness.

In all cases, black (output pixel brightness equals 0) and white (output pixel brightness equals 255 at 8 bit output and 4095 at 12 bit output) will not be corrected.

Setting the Gamma

You can enable or disable the gamma correction feature by setting the value of the Gamma Enable parameter.

When gamma correction is enabled, the correction factor is determined by the value of the Gamma parameter. The Gamma parameter can be set in a range from 0 to 3.99902. So if the Gamma parameter is set to 1.2, for example, the gamma correction factor will be 1.2.

You can set the Gamma Enable and Gamma parameter values from within your application software by using the Basler pylon API. The following code snippet illustrates using the API to set the parameter values:

```
// Enable the Gamma feature
Camera.GammaEnable.SetValue( true );

// Set the Gamma value to 1.2
Camera.Gamma.SetValue( 1.2 );
```

For detailed information about using the pylon API, refer to the Basler pylon Programmer's Guide and API Reference.

You can also use the Basler pylon Viewer application to easily set the parameters.

For more information about the pylon Viewer, see Section 3.1.1 on [page 43](#).

9.11 Auto Functions

9.11.1 Common Characteristics

Auto functions control image properties and are the "automatic" counterparts of certain features such as the gain feature or the white balance feature, which normally require "manually" setting the related parameter values. Auto functions are particularly useful when an image property must be adjusted quickly to achieve a specific target value and when a specific target value must be kept constant in a series of images.

An Auto Function Area of Interest (Auto Function AOI) lets you designate a specific part of the image as the base for adjusting an image property. Each auto function uses the pixel data from an Auto Function AOI for automatically adjusting a parameter value and, accordingly, for controlling the related image property.

An auto function automatically adjusts a parameter value until the related image property reaches a target value. Note that the manual setting of the parameter value is not preserved. For example, when the Gain Auto function adjusts the gain parameter value, the manually set gain parameter value is not preserved.

For some auto functions, the target value is fixed. For other auto functions, the target value can be set, as can the limits between which the related parameter value will be automatically adjusted. For example, the gain auto function lets you set an average gray value for the image as a target value and also set a lower and an upper limit for the gain parameter value.

Generally, the different auto functions can operate at the same time. For more information, see the following sections describing the individual auto functions.



A target value for an image property can only be reached if it is in accord with all pertinent camera settings and with the general circumstances used for capturing images. Otherwise, the target value will only be approached.

For example, with a short exposure time, insufficient illumination, and a low setting for the upper limit of the gain parameter value, the Gain Auto function may not be able to achieve the current target average gray value setting for the image.



You can use an auto function when binning is enabled (monochrome cameras only; not available on scA750-60 cameras). An auto function uses the binned pixel data and controls the image property of the binned image.


For more information about binning, see Section 9.7 on [page 197](#).

9.11.1.1 Modes of Operation

The following auto function modes of operation are available:

- All auto functions provide the "once" mode of operation. When the "once" mode of operation is selected, the parameter values are automatically adjusted until the related image property reaches the target value. After the automatic parameter value adjustment is complete, the auto function will automatically be set to "off" and the new parameter value will be applied to the following images.

The parameter value can be changed by using the "once" mode of operation again, by using the "continuous" mode of operation, or by manual adjustment.


	If an auto function is set to the "once" operation mode and if the circumstances will not allow reaching a target value for an image property, the auto function will try to reach the target value for a maximum of 30 images and will then be set to "off".
---	---


- Some auto functions also provide a "continuous" mode of operation where the parameter value is adjusted repeatedly while images are acquired.

Depending on the current frame rate, the automatic adjustments will usually be carried out for every or every other image.

The repeated automatic adjustment will proceed until the "once" mode of operation is used or until the auto function is set to "off", in which case the parameter value resulting from the latest automatic adjustment will operate, unless the parameter is manually adjusted.

- When an auto function is set to "off", the parameter value resulting from the latest automatic adjustment will operate, unless the parameter is manually adjusted.

	You can enable auto functions and change their settings while the camera is capturing images ("on the fly").
---	--

	If you have set an auto function to "once" or "continuous" operation mode while the camera was continuously capturing images, the auto function will become effective with a short delay and the first few images may not be affected by the auto function.
---	---

9.11.1.2 Auto Function AOI

An Auto Function AOI must be set separately from the AOI used to define the size of captured images (the image AOI). You can specify a portion of the sensor array and only the pixel data from the specified portion will be used for auto function control.

An Auto Function AOI is referenced to the top left corner of the sensor array. The top left corner is designated as column 0 and row 0 as shown in Figure 73.

The location and size of an Auto Function AOI is defined by declaring an X offset (coordinate), a width, a Y offset (coordinate), and a height. For example, suppose that you specify the X offset as 14, the width as 5, the Y offset as 7, and the height as 6. The area of the array that is bounded by these settings is shown in Figure 73.

Only the pixel data from within the area defined by your settings will be used by the related auto function.

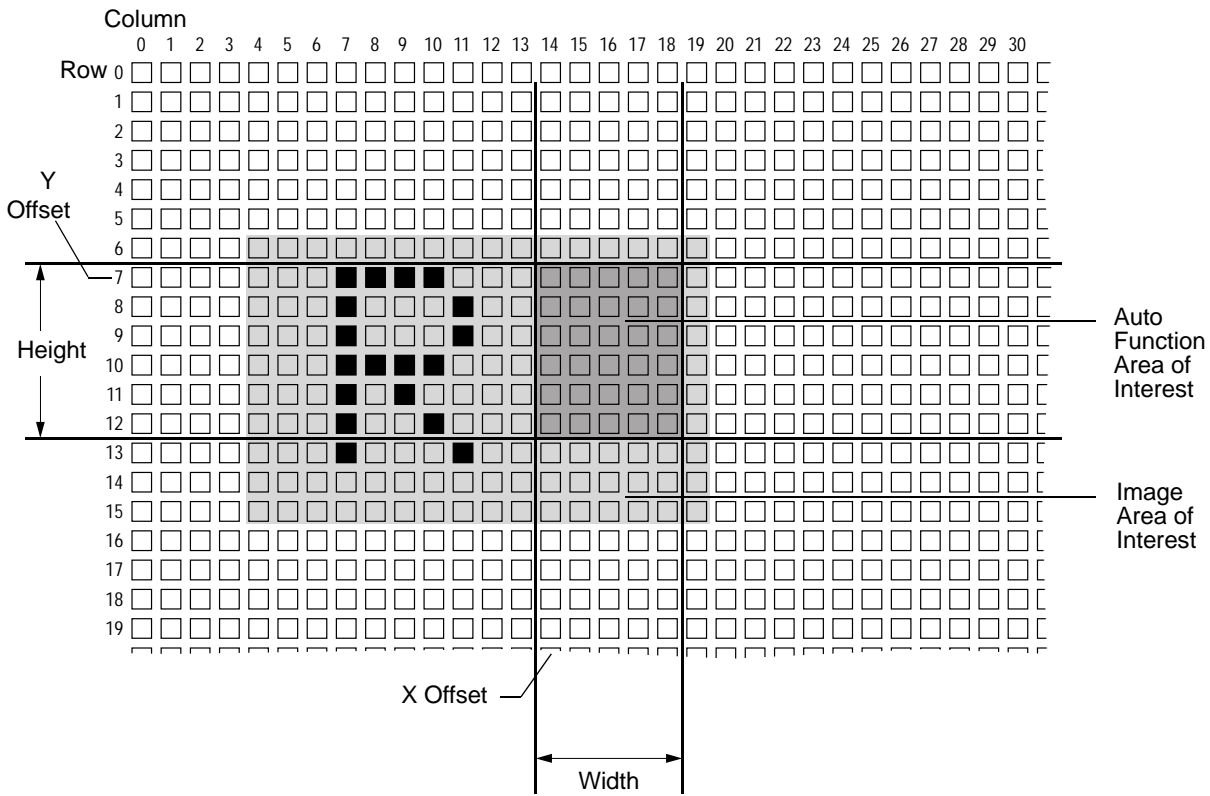


Fig. 73: Auto Function Area of Interest and Image Area of Interest

Relative Positioning of an Auto Function AOI

The size and position of an Auto Function AOI can be, but need not be, identical to the size and position of the Image AOI. Note that the overlap between Auto Function AOI and Image AOI determines whether and to what extent the auto function will control the related image property. Only the pixel data from the areas of overlap will be used by the auto function to control the image property of the entire image.

Different degrees of overlap are illustrated in [Figure 74](#). The hatched areas in the figure indicate areas of overlap.

- If the Auto Function AOI is completely included in the Image AOI (see (a) in [Figure 74](#)), the pixel data from the Auto Function AOI will be used to control the image property.
- If the Image AOI is completely included in the Auto Function AOI (see (b) in [Figure 74](#)), only the pixel data from the Image AOI will be used to control the image property.
- If the Image AOI only partially overlaps the Auto Function AOI (see (c) in [Figure 74](#)), only the pixel data from the area of partial overlap will be used to control the image property.
- If the Auto Function AOI does not overlap the Image AOI (see (d) in [Figure 74](#)), the Auto Function will **not** or only to a **limited** degree control the image property. For details, see the sections below, describing the individual auto functions.



We strongly recommend completely including the Auto Function AOI within the Image AOI, or, depending on your needs, choosing identical positions and sizes for Auto Function AOI and Image AOI.



You can use auto functions when also using the reverse X feature. For information about the behavior and roles of Auto Function AOI and Image AOI when also using the reverse X feature, see the "Reverse X" section.

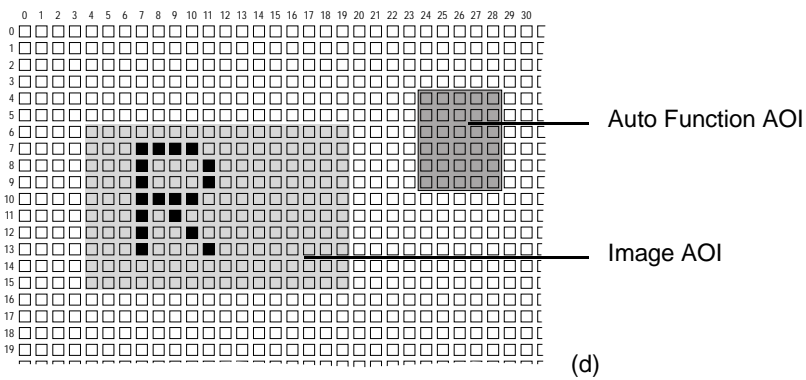
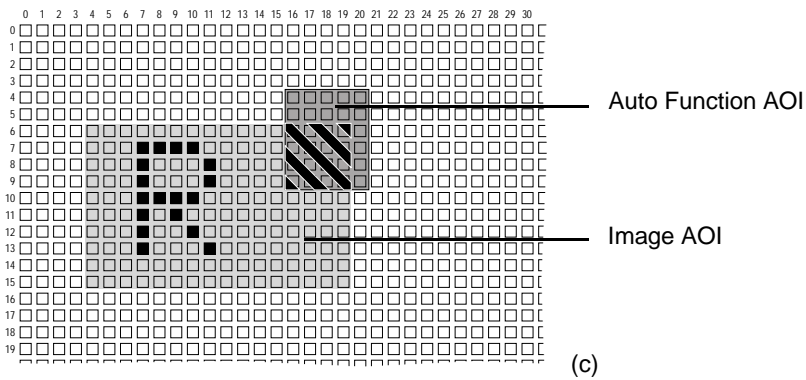
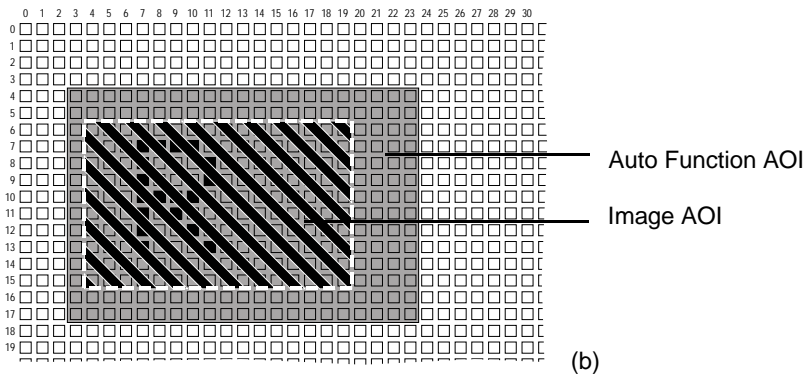
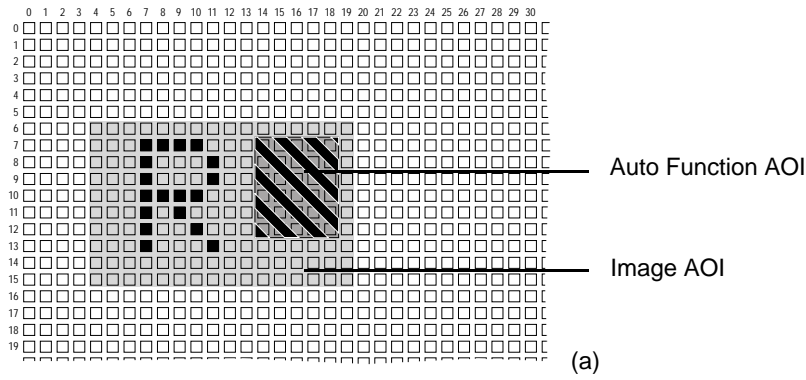


Fig. 74: Various Degrees of Overlap Between the Auto Function AOI and the Image AOI

Setting an Auto Function AOI

Setting an Auto Function AOI is a two-step process: You must first select the Auto Function AOI related to the auto function that you want to use and then set the size and the position of the Auto Function AOI.

By default, an Auto Function AOI is set to the full resolution of the camera's sensor. You can change the size and the position of an Auto Function AOI by changing the value of the Auto Function AOI's X Offset, Y Offset, Width, and Height parameters.

- The value of the X Offset parameter determines the starting column for the Auto Function AOI.
- The value of the Y Offset parameter determines the starting line for the Auto Function AOI.
- The value of the Width parameter determines the width of the Auto Function AOI.
- The value of the Height parameter determines the height of the Auto Function AOI.

When you are setting an Auto Function AOI, you must follow these guidelines:

- The sum of the X Offset setting plus the Width setting must not exceed the width of the camera's sensor. For example, on the scA640-70, the sum of the X Offset setting plus the Width setting must not exceed 659.
- The sum of the Y Offset setting plus the Height setting must not exceed the height of the camera's sensor. For example, on the scA640-70, the sum of the Y Offset setting plus the Height setting must not exceed 494.

The X Offset, Y Offset, Width, and Height parameters can be set in increments of 1.



On color cameras, we strongly recommend setting the X Offset, Y Offset, Width, and Height parameters for an Auto Function AOI in increments of 2 to make the Auto Function AOI match the Bayer filter pattern of the sensor. For example, you should set the X Offset parameter to 0, 2, 4, 6, 8, etc.



Normally, the X Offset, Y Offset, Width, and Height parameter settings for an Auto Function AOI refer to the physical columns and lines in the sensor. But if binning is enabled (monochrome cameras only; not available on scA750-60 cameras), these parameters are set in terms of "virtual" columns and lines, i.e. the settings for an Auto Function AOI will refer to the binned lines and columns in the sensor and not to the physical lines in the sensor as they normally would.

For more information about the concept of a "virtual sensor", see Section 9.7.1 on [page 198](#).

You can select an Auto Function AOI and set the X Offset, Y Offset, Width, and Height parameter values for the Auto Function AOI from within your application software by using the Basler pylon API. The following code snippets illustrate using the API to select an Auto Function AOI and to get the maximum allowed settings for the Width and Height parameters. The code snippets also illustrate setting the X Offset, Y Offset, Width, and Height parameter values. As an example, Auto Function AOI1 is selected:

```
// Select the appropriate auto function AOI for gain auto and exposure auto
// control. Currently auto function AOI 1 is predefined to gather the pixel
// data needed for gain auto and exposure auto control
// Set the position and size of the auto function AOI
Camera.AutoFunctionAOISelector.SetValue( AutoFunctionAOISelector_AOI1 );
Camera.AutoFunctionAOIOffsetX.SetValue( 0 );
Camera.AutoFunctionAOIOffsetY.SetValue( 0 );
Camera.AutoFunctionAOIWidth.SetValue( Camera.AutoFunctionAOIWidth.GetMax() );
Camera.AutoFunctionAOIHeight.SetValue( Camera.AutoFunctionAOIHeight.GetMax() );
```

For detailed information about using the pylon API, refer to the Basler pylon Programmer's Guide and API Reference.

You can also use the Basler pylon Viewer application to easily set the parameters.

9.11.1.3 Using an Auto Function

To use an auto function, carry out the following steps:

1. Select an Auto Function AOI.
2. Assign the auto function you want to use to the selected Auto Function AOI.
3. Unassign the auto function you want to use from the other Auto Function AOI.
4. Set the position and size of the Auto Function AOI.
5. If necessary, set the lower and upper limits for the auto functions's parameter value.
6. If necessary, set the target value.
7. If necessary, set the auto function profile to define priorities between auto functions.
8. Enable the auto function by setting it to "once" or "continuous".

For more information about the individual settings, see the next sections that describe the individual auto functions.

9.11.2 Gain Auto

Gain Auto is the "automatic" counterpart of the manual gain feature. When the gain auto function is operational, the Gain Raw (All) parameter value is automatically adjusted within set limits, until a target average gray value for the pixel data from Auto Function AOI1 is reached.

The gain auto function uses Auto Function AOI1 and can be operated in the "once" and "continuous" modes of operation.

If Auto Function AOI1 does not overlap the Image AOI (see the "Auto Function AOI" section) the pixel data from Auto Function AOI1 will not be used to control the image brightness. Instead, the current manual setting of the Gain Raw (All) parameter value will control the image brightness.

When the gain auto function is used, the exposure auto function can be used at the same time. In this case, however, you must also set the auto function profile feature.

For more information about

- gain, see Section 9.1 on [page 177](#).
- the auto function profile feature, see Section 9.11.4 on [page 221](#).

To use the gain auto function, perform the following steps:

1. Select Auto Function AOI1.
2. Set the position and size of Auto Function AOI1.
3. Set the lower and upper limits for the Gain Raw (All) parameter value.
4. Set the target average gray value.
5. If necessary, set the auto function profile.
6. Enable the gain auto function by setting it to "once" or "continuous". You must choose the "continuous" setting when using the auto function profile.

The currently settable limits for the Auto Gain Raw parameter value depend on the current pixel data format, on the current settings for binning, and on whether or not the Gain Raw parameter limits for the manually set gain feature are disabled.

The target average gray value may range from 0 (black) to 255 (white). Note that this range of numbers applies to 8 bit **and** to 16 bit (12 bit effective) output modes. So for 16 bit output modes, black is also represented by 0 and white by 255.

You can carry out steps 1 to 6 from within your application software by using the pylon API. The following code snippets illustrate using the API to set the parameter values:

- Selecting and setting Auto Function AOI1
- Setting the limits for the Auto Gain Raw parameter value. The currently accessible minimum and maximum parameter values are chosen as examples
- Setting the target average gray value. A medium gray value is chosen as an example
- Enabling the gain auto function and selecting, for example, the "once" mode of operation

```
// Select the appropriate auto function AOI for luminance statistics
// Currently AutoFunctionAOISelector_AOI1 is predefined to gather
// luminance statistics
// Set position and size of the auto function AOI
Camera.AutoFunctionAOISelector.SetValue( AutoFunctionAOISelector_AOI1 );
Camera.AutoFunctionAOIOffsetX.SetValue( 0 );
Camera.AutoFunctionAOIOffsetY.SetValue( 0 );
Camera.AutoFunctionAOIWidth.SetValue( Camera.AutoFunctionAOIWidth.GetMax() );
Camera.AutoFunctionAOIHeight.SetValue( Camera.AutoFunctionAOIHeight.GetMax() );

// Select gain for automatic luminance control.
// Set gain limits for luminance control
Camera.GainSelector.SetValue( GainSelector_All );
Camera.AutoGainRawLowerLimit.SetValue( Camera.GainRaw.GetMin() );
Camera.AutoGainRawUpperLimit.SetValue( Camera.GainRaw.GetMax() );

// Set target value for luminance control. This is always expressed
// by an 8 bit value, regardless of the current pixel format
// i.e. 0 -> black, 255 -> white
Camera.AutoTargetValue.SetValue( 128 );

// Set mode of operation for gain auto function
Camera.GainAuto.SetValue( GainAuto_Once );
```

For detailed information about using the pylon API, refer to the Basler pylon Programmer's Guide and API Reference.

You can also use the Basler pylon Viewer application to easily set the parameters.

For general information about auto functions, see Section 9.11.1 on [page 210](#).

For information about Auto Function AOIs and how to set them, see Section 9.11.1.2 on [page 212](#).

9.11.3 Exposure Auto

Exposure Auto is an auto function and the "automatic" counterpart to manually setting an "absolute" exposure time. The exposure auto function automatically adjusts the Exposure Time Abs parameter value within set limits, until a target average gray value for the pixel data from Auto Function AOI1 is reached.

In contrast to the manually set "absolute" exposure time, the automatically adjusted "absolute" exposure time and the settable limits for parameter value adjustment are not restricted to multiples of the current exposure time base.

The exposure auto function uses Auto Function AOI1 and can be operated in the "once" and "continuous" modes of operation.

If Auto Function AOI1 does not overlap the Image AOI (see the "Auto Function AOI" section) the pixel data from Auto Function AOI1 will not be used to control the image brightness. Instead, the current manual setting of the Exposure Time Abs parameter value will control the image brightness.

The exposure auto function is not available, when trigger width exposure mode is selected.

When the exposure auto function is used, the gain auto function can be used at the same time. In this case, however, you must also set the auto function profile feature.



If the Auto Exposure Time Abs Upper Limit parameter is set to a sufficiently high value the camera's frame rate may be decreased.

For more information about

- "absolute" exposure time settings and related limitations, see Section 7.7.2 on [page 114](#).
- exposure modes and how to select them, see Section 7.5.2 on [page 92](#), Section 7.5.3 on [page 94](#), Section 7.6.2 on [page 103](#), and Section 7.6.3 on [page 105](#).
- the auto function profile feature, see Section 9.11.4 on [page 221](#).

To use the exposure auto function, carry out the following steps:

1. Make sure trigger width exposure mode is not selected.
2. Select Auto Function AOI1.
3. Set the position and size of Auto Function AOI1.
4. Set the lower and upper limits for the Exposure Time Abs parameter value.
5. Set the target average gray value.
6. If necessary, set the auto function profile.
7. Enable the exposure auto function by setting it to "once" or "continuous". You must choose the "continuous" setting when using the auto function profile.

The settable limits for the Exposure Time Abs parameter value are limited by the minimum allowed and maximum possible exposure time of the camera model.

The target average gray value may range from 0 (black) to 255 (white). Note that this range of numbers applies to 8 bit **and** to 16 bit (12 bit effective) output modes. Accordingly, also for 16 bit output modes, black is represented by 0 and white by 255.

You can carry out steps 1 to 7 from within your application software by using the pylon API. The following code snippets illustrate using the API to set the parameter values:

- Selecting and setting Auto Function AOI1: See the "Auto Function AOI" section above.
- Setting the limits for the Exposure Time Abs parameter value (the set parameter values serve as examples):
- Setting the target average gray value. A medium gray value is selected as an example:
- Enabling the exposure auto function and selecting, for example, the "continuous" mode of operation:

```
// Select the appropriate auto function AOI for luminance statistics
// Currently AutoFunctionAOISelector_AOI1 is predefined to gather
// luminance statistics
// Set position and size of the auto function AOI
Camera.AutoFunctionAOISelector.SetValue( AutoFunctionAOISelector_AOI1 );
Camera.AutoFunctionAOIOffsetX.SetValue( 0 );
Camera.AutoFunctionAOIOffsetY.SetValue( 0 );
Camera.AutoFunctionAOIWidth.SetValue( Camera.AutoFunctionAOIWidth.GetMax() );
Camera.AutoFunctionAOIHeight.SetValue( Camera.AutoFunctionAOIHeight.GetMax() );

// Set exposure time limits for luminance control
Camera.AutoExposureTimeAbsLowerLimit.SetValue( 1000 );
Camera.AutoExposureTimeAbsUpperLimit.SetValue( 1.0E6 );

// Set target value for luminance control. This is always expressed
// by an 8 bit value, regardless of the current pixel format
// i.e. 0 -> black, 255 -> white
Camera.AutoTargetValue.SetValue( 128 );

// Set mode of operation for exposure auto function
Camera.ExposureAuto.SetValue( ExposureAuto_Continuous );
```

For detailed information about using the pylon API, refer to the Basler pylon Programmer's Guide and API Reference.

You can also use the Basler pylon Viewer application to easily set the parameters.

For general information about auto functions, see Section 9.11.1 on [page 210](#).

For information about

- Auto Function AOIs and how to set them, see Section 9.11.1.2 on [page 212](#).
- minimum allowed and maximum possible exposure time, see Section Table 12: on [page 112](#) in Section 7.7 on [page 112](#).

9.11.4 Auto Function Profile

If you want to use the gain auto function and the exposure auto function at the same time, you must also set the auto function profile. The auto function profile specifies whether the gain or the exposure time will be kept as low as possible when the system is making automatic adjustments as it attempts to reach the target average gray value.

To use the gain auto function and the exposure auto function at the same time, carry out the following steps:

1. Set the auto function profile to specify whether gain or exposure time will be minimized during adjustments.
2. Set the gain auto function to the "continuous" mode of operation.
3. Set the exposure auto function to the "continuous" mode of operation.

You can set the auto function profile from within your application software by using the Basler pylon API. The following code snippets illustrate using the API to set the auto function profile. As an example, Gain Auto is set to be minimized during adjustments:

```
// Use the gain auto and exposure auto features simultaneously
Camera.AutoFunctionProfile.SetValue( AutoFunctionProfile_GainMinimum );
Camera.GainAuto.SetValue( GainAuto_Continuous );
Camera.ExposureAuto.SetValue( ExposureAuto_Continuous );
```

For detailed information about using the pylon API, refer to the Basler pylon Programmer's Guide and API Reference.

You can also use the Basler pylon Viewer application to easily set the parameters.

9.11.5 Balance White Auto

Balance White Auto is the "automatic" counterpart to manually setting the white balance. The balance white auto function is only available on color models.

Automatic white balancing is a two-step process. First, the Balance Ratio Abs parameter values for red, green, and blue are each set to 1.5. Then, assuming a "gray world" model, the Balance Ratio Abs parameter values are automatically adjusted such that the average values for the "red" and "blue" pixels match the average value for the "green" pixels.

The balance white auto function uses Auto Function AOI 2 and can only be operated in the "once" mode of operation.

If Auto Function AOI 2 does not overlap the Image AOI (see the "Auto Function AOI" section) the pixel data from Auto Function AOI 2 will not be used to control the white balance of the image. However, as soon as the Balance White Auto function is set to "once" operation mode, the Balance Ratio Abs parameter values for red, green, and blue are each set to 1.5. These settings will control the white balance of the image.

For information on the white balance feature, see Section 9.3 on [page 186](#).

To use the balance white auto function, carry out the following steps:

1. Select Auto Function AOI2.
2. Set the position and size of Auto Function AOI2.
3. Enable the balance white auto function by setting it to "once".

You can carry out steps 1 to 3 from within your application software by using the Basler pylon API. The following code snippet illustrates using the API to use the auto function:

- Selecting and setting Auto Function AOI2: See the "Auto Function AOI" section above.
- Enabling the balance white auto function and selecting the "once" mode of operation:

```
// Select the AOI to use for auto white balancing
// Currently AOI2 is predefined to gather the pixel data needed for
// automatic white balancing
// Set position and size of the auto function AOI
Camera.AutoFunctionAOISelector.SetValue( AutoFunctionAOISelector_AOI2 );
Camera.AutoFunctionAOIOffsetX.SetValue( 0 );
Camera.AutoFunctionAOIOffsetY.SetValue( 0 );
Camera.AutoFunctionAOIWidth.SetValue( Camera.AutoFunctionAOIWidth.GetMax() );
Camera.AutoFunctionAOIHeight.SetValue( Camera.AutoFunctionAOIHeight.GetMax() );

// Set the mode of operation for balance white auto function
Camera.BalanceWhiteAuto.SetValue( BalanceWhiteAuto_Once );
```


For detailed information about using the pylon API, refer to the Basler pylon Programmer's Guide and API Reference.

You can also use the Basler pylon Viewer application to easily set the parameters.

For general information about auto functions, see Section 9.11.1 on [page 210](#).

For information about Auto Function AOIs and how to set them, see Section 9.11.1.2 on [page 212](#).

9.12 Disable Parameter Limits

For each camera parameter, the allowed range of parameter values normally is limited. The factory limits are designed to ensure optimum camera operation and, in particular, good image quality. For special camera uses, however, it may be helpful to set parameter values outside of the factory limits.

The disable parameter limits feature lets you disable the factory parameter limits for certain parameters. When the factory parameter limits are disabled, the parameter values can be set within extended limits. Typically, the range of the extended limits is dictated by the physical restrictions of the camera's electronic devices, such as the absolute limits of the camera's variable gain control.

The values for the extended limits can be seen using the Basler pylon Viewer or from within your application via the pylon API.



Currently, the parameter limits can only be disabled on the Gain feature.

Disabling Parameter Limits

To disable the limits for a parameter:

- Use the Parameter Selector to select the parameter whose limits you wish to disable.
- Set the value of the Remove Limits parameter.

You can set the Parameter Selector and the value of the Remove Limits parameter from within your application software by using the pylon API. The following code snippet illustrates using the API to set the selector and the parameter value:

```
// Select the feature whose factory limits will be disabled
Camera.ParameterSelector.SetValue( ParameterSelector_Gain );

// Disable the limits for the selected feature
Camera.RemoveLimits.SetValue( true );
```


For detailed information about using the pylon API, refer to the Basler pylon Programmer's Guide and API Reference.

You can also use the Basler pylon Viewer application to easily set the parameters. Note that the disable parameter limits feature will only be available at the "guru" viewing level.

For more information about the pylon Viewer, see Section 3.1.1 on [page 43](#).

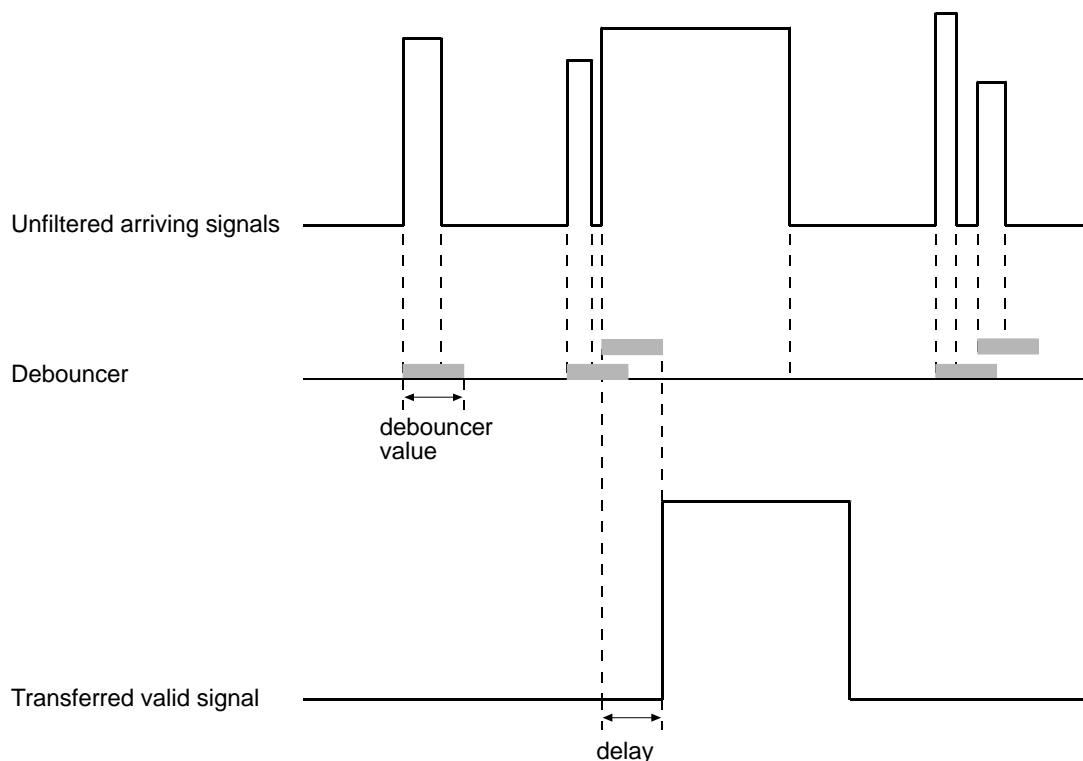
9.13 Debouncer

The debouncer feature aids in discriminating between valid and invalid input signals and only lets valid signals pass to the camera. The debouncer value specifies the minimum time that an input signal must remain high or remain low in order to be considered a valid input signal.

	<p>We recommend setting the debouncer value so that it is slightly greater than the longest expected duration of an invalid signal.</p> <p>Setting the debouncer to a value that is too short will result in accepting invalid signals. Setting the debouncer to a value that is too long will result in rejecting valid signals.</p>
---	---

Note that the debouncer delays a valid signal between its arrival at the camera and its transfer. The duration of the delay will be determined by the debouncer value.

Figure 75 illustrates how the debouncer filters out invalid input signals, i.e. signals that are shorter than the debouncer value. The diagram also illustrates how the debouncer delays a valid signal.



TIMING CHARTS ARE NOT DRAWN TO SCALE

Fig. 75: Filtering of Input Signals by the Debouncer

Setting the Debouncer

The debouncer value is determined by the value of the Line Debouncer Time Abs parameter value. The parameter is set in microseconds and can be set in a range from 0 to approximately 1 s.

To set a debouncer:

- Use the Line Selector to select the camera input line for which you want to set the debouncer (input line1 or 2).
- Set the value of the Line Debouncer Time Abs parameter.

You can set the Line Selector and the value of the Line Debouncer Abs parameter from within your application software by using the pylon API. The following code snippet illustrates using the API to set the selector and the parameter value:

```
// Select the input line
Camera.LineSelector.SetValue( LineSelector_Line1 );

// Set the parameter value to 100 microseconds
Camera.LineDebouncerTimeAbs.SetValue( 100 );
```

For detailed information about using the pylon API, refer to the Basler pylon Programmer's Guide and API Reference.

You can also use the Basler pylon Viewer application to easily set the parameters.

For more information about the pylon Viewer, see Section 3.1.1 on [page 43](#).


9.14 Trigger Delay

The trigger delay feature lets you specify a delay (in microseconds) that will be applied between the receipt of a hardware trigger and it becoming effective.


The trigger delay can be specified in the range from 0 to 10000000 μs (equivalent to 10 s). When the delay is set to 0 μs , no delay will be applied.

Note the different applicability of the trigger delay depending on the image acquisition control mode:


- Standard mode:
 - The trigger delay can be applied to the acquisition start trigger.

	The trigger delay will not operate if the Acquisition Start Trigger Mode parameter is set to off (the camera will generate all acquisition start trigger signals internally) or if you are using a software acquisition start trigger.
---	--

- The trigger delay can be applied to the frame start trigger.

	The trigger delay will not operate if the Frame Start Trigger Mode parameter is set to off (the camera will generate all frame start trigger signals internally) or if you are using a software frame start trigger.
---	--

- Legacy mode:
 - The trigger delay can be applied to the acquisition start trigger.

	The trigger delay will not operate if the Acquisition Start Trigger Mode parameter is set to off (the camera will generate all acquisition start trigger signals internally) or if you are using a software acquisition start trigger.
---	--

Setting the Trigger Delay

You can set the Trigger Delay Abs parameter value from within your application software by using the pylon API. The following code snippets illustrate using the API to set the parameter values:

Standard mode:

```
// Select the acquisition start trigger
Camera.TriggerSelector.SetValue( TriggerSelector_Acquisition_Start );
// Trigger delay
double TriggerDelay_us = 1000.0 // 1000us == 1ms == 0.001s;
Camera.TriggerDelayAbs.SetValue( TriggerDelay_us );

// Select the frame start trigger
```

```
Camera.TriggerSelector.SetValue( TriggerSelector_FrameStart );
// Trigger delay
double TriggerDelay_us = 1000.0 // 1000us == 1ms == 0.001s;
Camera.TriggerDelayAbs.SetValue( TriggerDelay_us );
```

Legacy mode:

```
// Select the acquisition start trigger
Camera.TriggerSelector.SetValue( TriggerSelector_AcquisitionStart );
// Trigger delay
double TriggerDelay_us = 1000.0 // 1000us == 1ms == 0.001s;
Camera.TriggerDelayAbs.SetValue( TriggerDelay_us );
```

For detailed information about using the pylon API, refer to the Basler pylon Programmer's Guide and API Reference.

You can also use the Basler pylon Viewer application to easily set the parameters.

For more information about

- the pylon Viewer, see Section 3.1.1 on [page 43](#).
- the standard and legacy image acquisition control modes, see Section 7.1 on [page 73](#).

9.15 Acquisition Status

When controlling image acquisition with a software trigger you can use the acquisition status feature to determine when the camera is ready to be triggered for an image acquisition. Using this feature, you can avoid triggering the camera at a rate that exceeds the maximum allowed with the current camera settings.

For other means of checking the acquisition status, see also the "Acquisition Monitoring Signals" section.



It is not possible to monitor the status of the Acquisition Start command. Therefore, you cannot use the status of the Acquisition Start command to determine when the camera is ready to be triggered for an image acquisition.

Note the different applicability of the acquisition status feature depending on the image acquisition control mode:

- Standard mode: The acquisition status can be determined for the frame start trigger.
- Legacy mode: The acquisition status can be determined for the acquisition start trigger.

Determining the Acquisition Status

To determine the acquisition status of the camera:

- Use the Acquisition Status Selector to select the Frame Trigger Wait status. (The Frame Trigger Wait parameter also applies when operating the camera in legacy mode, where actually the status of the acquisition start trigger is determined).
- Read the value of the AcquisitionStatus parameter.

Standard mode: If the value is set to "false", the camera is not ready to receive a frame start trigger, if the value is set to "true", the camera is ready to receive a frame start trigger.

Legacy mode: If the value is set to "false", the camera is not ready to receive an acquisition start trigger, if the value is set to "true", the camera is ready to receive an acquisition start trigger.

You can set the Acquisition Status Selector and read the AcquisitionStatus parameter from within your application software by using the pylon API. The following code snippets illustrate using the API to set and read the parameter values:

```
// Set the Acquisition Status Selector
Camera.AcquisitionStatusSelector.SetValue( AcquisitionStatusSelector_FrameTriggerWait );

// Read the acquisition status
bool IsWaitingForFrameTrigger = Camera.AcquisitionStatus.GetValue();
```

For detailed information about using the pylon API, refer to the Basler pylon Programmer's Guide and API Reference.

You can also use the Basler pylon Viewer application to easily set the Acquisition Status Selector.

For more information about

- the pylon Viewer, see Section 3.1.1 on [page 43](#).
- the standard and legacy image acquisition control modes, see Section 7.1 on [page 73](#).

9.16 Event Reporting

Event reporting is available on the camera. With event reporting, the camera can generate an "event" and after some intermediate steps transmit a related event message to the PC whenever a specific situation has occurred.

Currently, the camera can generate and transmit an event for two types of situations:

- Overtriggering of the acquisition start trigger has occurred (AcquisitionStartOvertriggerEventData)
- Overtriggering of the frame start trigger has occurred (FrameStartOvertriggerEventData)
- The end of an exposure has occurred (ExposureEndEventData)
- An event overrun has occurred (EventOverrunEventData)

An Example of Event Reporting

An example related to the Exposure End event illustrates how event reporting works. The example assumes that your system is set for event reporting (see below), and that an end of exposure has just occurred in the camera. In this case:

1. An Exposure End event is generated. The event contains the event in the strict sense and supplementary information:
 - An Event Type Identifier.* In this case, the identifier would show that an exposure end type event has occurred.
 - A Frame ID.* This number indicates the frame count at the time that the event occurred.
 - A Stream Channel Identifier.* Currently this identifier is always 0.
 - A Timestamp.* This is a timestamp indicating when the event occurred.*
2. The event is placed in an internal queue in the camera.
3. As soon as bus transmission time is available, an event message will be sent to the PC. If only one event is in the queue, the message will contain the single event. If more than one event is in the queue, the message will contain multiple events.
4. Event Reporting involves some further software-related steps and settings to be made. For more information, see the "Camera Events" code sample included with the pylon software development kit.

* The timestamp is a 32 bit value. The structure of this timestamp is similar to the timestamp described in Section 10.4 on [page 250](#).

The Event Queue

As mentioned in the example above, the camera has an event queue. The intention of the queue is to handle short term delays in the camera's ability to access the bus and send event messages. When event reporting is working "smoothly", a single event will be placed in the queue and this event will be sent to the PC in an event message before the next event is placed in queue. If there is an occasional short term delay in event message transmission, the queue can buffer several events and can send them within a single event message as soon as transmission time is available.

However if you are operating the camera at high frame rates with a small AOI, the camera may be able to generate and queue events faster than they can be transmitted and acknowledged. In this case:

1. The queue will fill and events will be dropped.
2. An event overrun will occur.
3. Assuming that you have event overrun reporting enabled, the camera will generate an "event overrun event" and place it in the queue.
4. As soon as transmission time is available, an event message containing the event overrun event will be transmitted to the PC.

The event overrun event is simply a warning that events are being dropped. The notification contains no specific information about how many or which events have been dropped.

Setting Your System for Event Reporting

Event reporting must be enabled in the camera and some additional software-related settings must be made. This is described in the "Camera Events" code sample included with the pylon software development kit.

Event reporting must be specifically set up for each type of event using the parameter name of the event and of the supplementary information. The following table lists the relevant parameter names:

Event	Event Parameter Name	Supplementary Information Parameter Name
Acquisition Start Overtrigger	AcquisitionStartOvertriggerEventData	AcquisitionStartOvertriggerEventStreamChannelIndex
		AcquisitionStartOvertriggerEventTimestamp
Frame Start Overtrigger	FrameStartOvertriggerEventData	FrameStartOvertriggerEventStreamChannelIndex
		FrameStartOvertriggerEventTimestamp
Exposure End	ExposureEndEventData	ExposureEndEventFrameID
		ExposureEndEventStreamChannelIndex
		ExposureEndEventTimestamp
Event Overrun	EventOverrunEventData	EventOverrunEventStreamChannelIndex
		EventOverrunEventTimestamp

Table 20: Parameter Names of Events and Supplementary Information

You can enable event reporting and make the additional settings from within your application software by using the pylon API. For more information, see the "Camera Events" code sample included with the pylon software development kit.

For more detailed information about using the pylon API, refer to the Basler pylon Programmer's Guide and API Reference.

9.17 Test Images

All cameras include the ability to generate test images. Test images are used to check the camera's basic functionality and its ability to transmit an image to the host PC. Test images can be used for service purposes and for failure diagnostics. For test images, the image is generated internally by the camera's logic and does not use the optics, the imaging sensor, or the ADC. Six test images are available.

The Effect of Camera Settings on Test Images

When any of the test image is active, the camera's analog features such as gain, black level, and exposure time have no effect on the images transmitted by the camera. For test images 1, 2, 3 and 6, the camera's digital features, such as the luminance lookup table, will also have no effect on the transmitted images. But for test images 4 and 5, the camera's digital features will affect the images transmitted by the camera. This makes test images 4 and 5 a good way to check the effect of using a digital feature such as the luminance lookup table.

Enabling a Test Image

The Test Image Selector is used to set the camera to output a test image. You can set the value of the Test Image Selector to one of the test images or to "test image off".

You can set the Test Image Selector from within your application software by using the Basler pylon API. The following code snippets illustrate using the API to set the selector:

```
// set for no test image
Camera.TestImageSelector.SetValue( TestImageSelector_Off );

// set for the first test image
Camera.TestImageSelector.SetValue( TestImageSelector_Testimage1 );
```

For detailed information about using the pylon API, refer to the Basler pylon Programmer's Guide and API Reference.

You can also use the Basler pylon Viewer application to easily set the parameters.

For more information about the pylon Viewer, see Section 3.1.1 on [page 43](#).

Test Image 1 - Fixed Diagonal Gray Gradient (8 bit)

The 8 bit fixed diagonal gray gradient test image is best suited for use when the camera is set for monochrome 8 bit output. The test image consists of fixed diagonal gray gradients ranging from 0 to 255.

If the camera is set for 8 bit output and is operating at full resolution, test image one will look similar to Figure 76.

The mathematical expression for this test image:

$$\text{Gray Value} = [\text{column number} + \text{row number}] \text{ MOD } 256$$

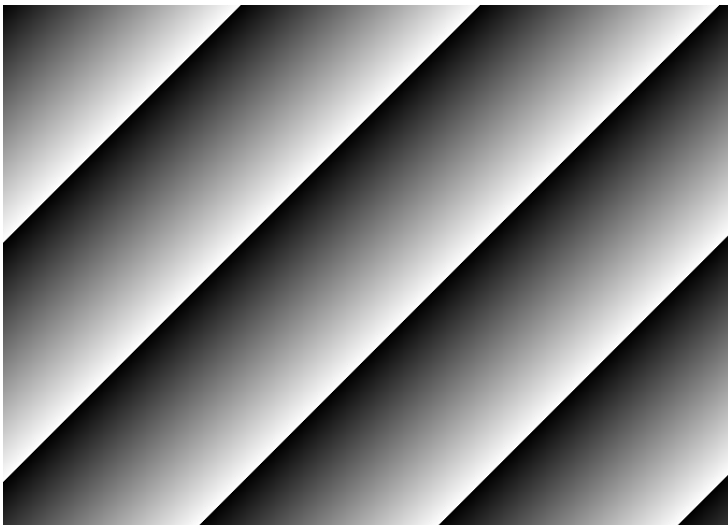


Fig. 76: Test Image One

Test Image 2 - Moving Diagonal Gray Gradient (8 bit)

The 8 bit moving diagonal gray gradient test image is similar to test image 1, but it is not stationary. The image moves by one pixel from right to left whenever a new image acquisition is initiated. The test pattern uses a counter that increments by one for each new image acquisition.

The mathematical expression for this test image is:

$$\text{Gray Value} = [\text{column number} + \text{row number} + \text{counter}] \text{ MOD } 256$$

Test Image 3 - Moving Diagonal Gray Gradient (12 bit)

The 12 bit moving diagonal gray gradient test image is similar to test image 2, but it is a 12 bit pattern. The image moves by one pixel from right to left whenever a new image acquisition is initiated. The test pattern uses a counter that increments by one for each new image acquisition.

The mathematical expression for this test image is:

$$\text{Gray Value} = [\text{column number} + \text{row number} + \text{counter}] \text{ MOD } 4096$$



On scA750-60 cameras, test image 3 is a 10 bit pattern. Since these cameras do not have a 10 bit output mode available, use of test image 3 on scA750-60 cameras is not recommended.

Test Image 4 - Moving Diagonal Gray Gradient Feature Test (8 bit)

The basic appearance of test image 4 is similar to test image 2 (the 8 bit moving diagonal gray gradient image). The difference between test image 4 and test image 2 is this: if a camera feature that involves digital processing is enabled, test image 4 **will** show the effects of the feature while test image 2 **will not**. This makes test image 4 useful for checking the effects of digital features such as the luminance lookup table.

Test Image 5 - Moving Diagonal Gray Gradient Feature Test (12 bit)

The basic appearance of test image 5 is similar to test image 3 (the 12 bit moving diagonal gray gradient image). The difference between test image 5 and test image 3 is this: if a camera feature that involves digital processing is enabled, test image 5 **will** show the effects of the feature while test image 3 **will not**. This makes test image 5 useful for checking the effects of digital features such as the luminance lookup table.



On scA750-60 cameras, test image 5 is a 10 bit pattern. Since these cameras do not have a 10 bit output mode available, use of test image 5 on scA750-60 cameras is not normally recommended. However, one situation where test image 5 is useful on scA750-60 cameras is to check the effect of the luminance lookup table.

Test Image 6 - Moving Diagonal Color Gradient

The moving diagonal color gradient test image is available on color cameras only and is designed for use when the camera is set for YUV output. As shown in Figure 77, test image six consists of diagonal color gradients. The image moves by one pixel from right to left whenever you signal the camera to capture a new image. To display this test pattern on a monitor, you must convert the YUV output from the camera to 8 bit RGB.

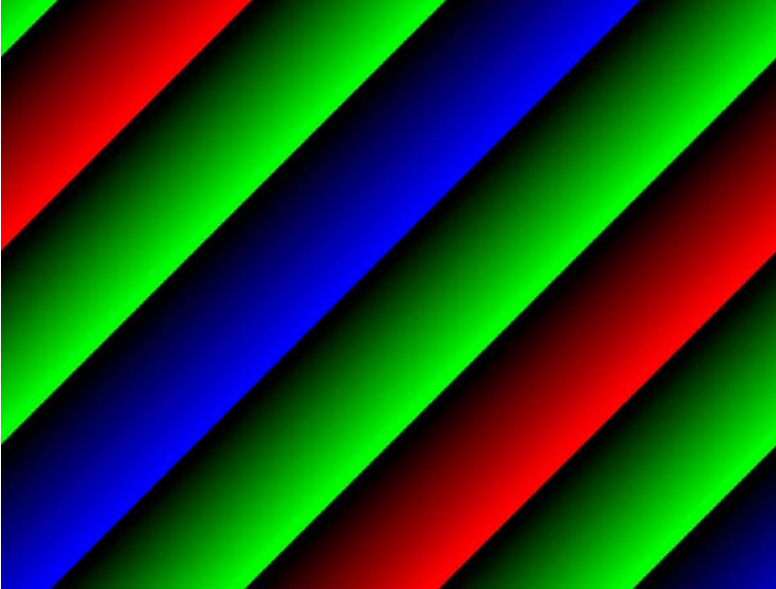


Fig. 77: Test Image Six

9.18 Device Information Parameters

Each camera includes a set of "device information" parameters. These parameters provide some basic information about the camera. The device information parameters include:

- Device Vendor Name (read only) - contains the name of the camera's vendor. For scout cameras, this string will always indicate Basler as the vendor.
- Device Model Name (read only) - contains the model name of the camera, for example, scA640-70fm.
- Firmware Version (read only) - contains the version of the firmware in the camera.
- Device ID (read only) - contains the serial number of the camera.
- Device Scan Type (read only) - contains the scan type of the camera, for example, area scan.
- Sensor Width (read only) - contains the physical width of the sensor in pixels.
- Sensor Height (read only) - contains the physical height of the sensor.
- Max Width (read only) - Indicates the camera's maximum area of interest (AOI) width setting.
- Max Height (read only) - Indicates the camera's maximum area of interest (AOI) height setting.

You can read the values for all of the device information parameters or set the value of the Device ID parameter from within your application software by using the pylon API. The following code snippets illustrate using the API to read the parameters or write the Device ID:

```
// Read the Vendor Name parameter
Pylon::String_t vendorName = Camera.DeviceVendorName.GetValue();

// Read the Model Name parameter
Pylon::String_t modelName = Camera.DeviceModelName.GetValue();

// Read the Firmware Version parameter
Pylon::String_t firmwareVersion = Camera.DeviceFirmwareVersion.GetValue();

// Read the Device ID parameter
Pylon::String_t deviceID = Camera.DeviceID.GetValue();

// Read the Sensor Width parameter
int64_t sensorWidth = Camera.SensorWidth.GetValue();

// Read the Sensor Height parameter
int64_t sensorHeight = Camera.SensorHeight.GetValue();

// Read the Max Width parameter
int64_t maxWidth = Camera.WidthMax.GetValue();

// Read the Max Height parameter
int64_t maxHeight = Camera.HeightMax.GetValue();
```

For detailed information about using the pylon API, refer to the Basler pylon Programmer's Guide and API Reference.

You can also use the Basler pylon Viewer application to easily read the parameters and to read or write the Device ID.

For more information about the pylon Viewer, see Section 3.1.1 on [page 43](#).

9.19 Configuration Sets

A configuration set is a group of values that contains all of the parameter settings needed to control the camera. There are three basic types of configuration sets: the active configuration set, the default configuration set, and user configuration sets.

Active Configuration Set

The active configuration set contains the camera's current parameter settings and thus determines the camera's performance, that is, what your image currently looks like. When you change parameter settings using the pylon API or the pylon Viewer, you are making changes to the active configuration set. The active configuration set is located in the camera's volatile memory and the settings are lost if the camera is reset or if power is switched off. The active configuration set is usually called the "active set" for short.

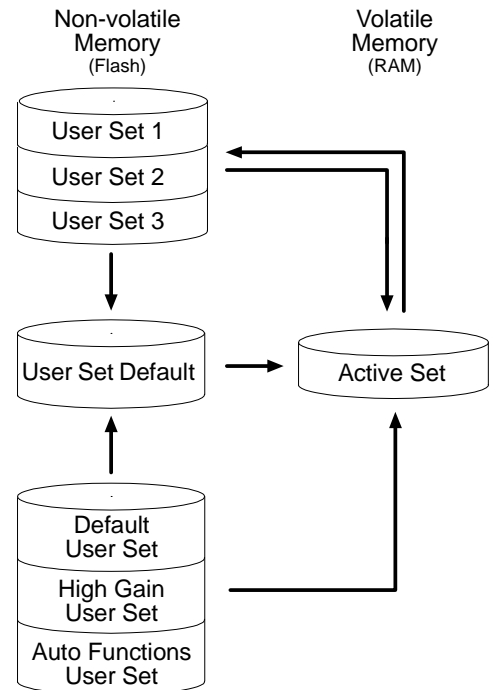


Fig. 78: Configuration Sets

Default Configuration Set

When a camera is manufactured, numerous tests are performed on the camera and three factory optimized setups are determined. The three factory optimized setups are:

- The Standard Factory Setup - is optimized for average conditions and will provide good camera performance in many common applications. In the standard factory setup, the gain is set to a low value, and all auto functions are set to off.
- The High Gain Factory Setup - is similar to the standard factory setup, but the gain is set to + 6 dB.
- The Auto Functions Factory Setup - is similar to the standard factory setup, but the Gain Auto and the Exposure Auto auto functions are both enabled and are set to the continuous mode of operation. During automatic parameter adjustment, gain will be kept to a minimum.

The factory setups are saved in permanent files in the camera's non-volatile memory. They are not lost when the camera is reset or switched off and they cannot be changed.

You can select one of the three factory setups to be the camera's "default configuration set". Instructions for selecting which factory setup will be used as the default set appear below. Note that your selection of which factory setup will serve as the default set will not be lost when the camera is reset or switched off.

The default configuration set can be loaded into the active set. The default configuration set can also be selected as the camera's startup set. Instructions for loading the default set into the active set and for selecting the startup set appear below.

User Configuration Sets

As mentioned above, the active configuration set is stored in the camera's volatile memory and the settings are lost if the camera is reset or if power is switched off. The camera can save most of the settings from the current active set to a reserved area in the camera's non-volatile memory. A configuration set saved in the non-volatile memory is not lost when the camera is reset or switched off. There are three reserved areas in the camera's non-volatile memory available for saving configuration sets. A configuration set saved in a reserved area is commonly referred to as a "user configuration set" or "user set" for short.

The three available user sets are called User Set 1, User Set 2, and User Set 3.



The settings for the luminance lookup table are not saved in the user sets and are lost when the camera is reset or switched off. If used, these settings must be set again after each camera reset or restart.

Startup Set

You can select the default configuration set or one of the user configuration sets stored in the camera's non-volatile memory to be the "startup set." The configuration set that you have selected as the startup set will automatically be loaded into the active set whenever the camera starts up at power on or after a reset. Instructions for selecting the startup set appear below.

For more information about auto functions, see Section 9.11 on [page 210](#).

9.19.1 Saving User Sets

Saving the current active set into a user set in the camera's non-volatile memory is a three step process:

- Make changes to the camera's settings until the camera is operating in a manner that you would like to save.
- Set the User Set Selector to User Set 1, User Set 2, or User Set 3.
- Execute a User Set Save command to save the active set to the selected user set.

Saving an active set to a user set in the camera's non-volatile memory will overwrite any parameters that were previously saved in that user set.

You can set the User Set Selector and execute the User Set Save command from within your application software by using the pylon API. The following code snippet illustrates using the API to set the selector and execute the command:

```
Camera.UserSetSelector.SetValue( UserSetSelector_UserSet1 );  
Camera.UserSetSave.Execute( );
```

For detailed information about using the pylon API, refer to the Basler pylon Programmer's Guide and API Reference.

You can also use the Basler pylon Viewer application to easily set the parameters.

For more information about the pylon Viewer, see Section 3.1.1 on [page 43](#).

9.19.2 Selecting a Factory Setup as the Default Set

When the camera is delivered, the Standard Factory Setup will be selected as the default set. You can, however, select any one of the three factory setups to serve as the default set.

To select which factory setup that will serve as the default set:

- Set the Default Set Selector to the Standard Factory Setup, High Gain Factory Setup or Auto Functions Factory Setup.

You can set the Default Set Selector from within your application software by using the Basler pylon API. The following code snippet illustrates using the API to set the selector:

If you want to select the Standard Factory Setup:

```
Camera.DefaultSetSelector.SetValue(DefaultSetSelector_Standard);
```

If you want to select the High Gain Factory Setup:

```
Camera.DefaultSetSelector.SetValue(DefaultSetSelector_HighGain);
```

If you want to select the Auto Functions Factory Setup:

```
Camera.DefaultSetSelector.SetValue(DefaultSetSelector_AutoFunctions);
```

You can also use the Basler pylon Viewer application to easily set the selector.



Selecting which factory setup will serve as the default set is only allowed when the camera is idle, i.e. when it is not acquiring images continuously or does not have a single image acquisition pending.

Selecting the standard factory setup as the default set and then loading the default set into the active set is a good course of action if you have grossly misadjusted the settings in the camera and you are not sure how to recover. The standard factory setup is optimized for use in typical situations and will provide good camera performance in most cases.

9.19.3 Loading a Saved Set or the Default Set into the Active Set

If you have saved a configuration set into the camera's non-volatile memory, you can load the saved set from the camera's non-volatile memory into the camera's active set. When you do this, the loaded set overwrites the parameters in the active set. Since the settings in the active set control the current operation of the camera, the settings from the loaded set will now be controlling the camera.

You can also load the default set into the camera's active set.

To load a saved configuration set or the default set from the camera's non-volatile memory into the active set:

- Set the User Set Selector to User Set 1, User Set 2, User Set 3 or Default.
- Execute a User Set Load command to load the selected set into the active set.

You can set the User Set Selector and execute the User Set Load command from within your application software by using the pylon API. The following code snippet illustrates using the API to set the selector and execute the command:

```
Camera.UserSetSelector.SetValue( UserSetSelector_UserSet2 );  
Camera.UserSetLoad.Execute( );
```



Loading a user set or the default set into the active set is only allowed when the camera is idle, i.e. when it is not acquiring images continuously or does not have a single image acquisition pending.

Loading the Default Set with the Standard Factory Setup selected into the active set is a good course of action if you have grossly misadjusted the settings in the camera and you are not sure how to recover. The standard factory setup is optimized for use in typical situations and will provide good camera performance in most cases.

9.19.4 Selecting the Startup Set

You can select the default configuration set (i.e., whichever was selected as the default configuration set, either the Standard Factory Setup, the High Gain Factory Setup, or the Auto Functions Factory Setup) or one of the user configuration sets stored in the camera's non-volatile memory to be the "startup set". The configuration set that you designate as the startup set will be loaded into the active set whenever the camera starts up at power on or after a reset.

The User Set Default Selector is used to select the startup set:

Set the User Set Default Selector to User Set 1, User Set 2, User Set 3 or Default.

You can set the User Set Default Selector from within your application software by using the pylon API. The following code snippet illustrates using the API to set the selector:

```
Camera.UserSetDefaultSelector.SetValue( UserSetDefaultSelector_Default );
```


10 Chunk Features

This section provides detailed information about the chunk features available on each camera.

10.1 What are Chunk Features?

In most cases, enabling a camera feature will simply change the behavior of the camera. The Test Image feature is a good example of this type of camera feature. When the Test Image feature is enabled, the camera outputs a test image rather than a captured image. This type of feature is referred to as a "standard" feature.

When certain camera features are enabled, the camera actually develops some sort of information about each image that it acquires. In these cases, the information is added to each image as a trailing data "chunk" when the image is transferred to the host PC. Examples of this type of camera feature are the Frame Counter feature and the Time Stamp feature. When the Frame Counter feature is enabled, for example, after an image is captured, the camera checks a counter that tracks the number of images acquired and develops a frame counter stamp for the image. And if the Time Stamp feature is enabled, the camera creates a time stamp for the image. The frame counter stamp and the time stamp would be added as "chunks" of trailing data to each image as the image is transferred from the camera. The features that add chunks to the acquired images are referred to as "chunk" features.

Before you can use any of the features that add chunks to the image, you must make the chunk mode active. Making the chunk mode active is described in the next section.

10.2 Making the "Chunk Mode" Active

Before you can use any of the camera's "chunk" features, the "chunk mode" must be made active. To make the chunk mode active:

- Set the Chunk Mode Active parameter to true.

You can set the Chunk Mode Active parameter value from within your application software by using the pylon API. The following code snippet illustrates using the API to set the parameter value:

```
Camera.ChunkModeActive.SetValue( true );
```

Note that making the chunk mode inactive switches all chunk features off.

Also note that when you enable `ChunkModeActive`, the `PayloadType` for the camera changes from `"Pylon::PayloadType_Image"` to `"Pylon::PayloadType_ChunkData"`.

For detailed information about using the pylon API, refer to the Basler pylon Programmer's Guide and API Reference.

You can also use the Basler pylon Viewer application to easily set the parameters.

For more information about the pylon Viewer, see Section 3.1.1 on [page 43](#).

10.3 Frame Counter

The Frame Counter feature numbers frames sequentially as they are acquired. When the feature is enabled, a chunk is added to each frame containing the value of the counter.

The frame counter is a 32 bit value. The counter starts at 0 and increments by 1 for each acquired frame. The counter counts up to 4294967295 unless it is reset before (see below). After reaching the maximum value, the counter will reset to 0 and then continue counting.

Be aware that if the camera is acquiring frames continuously and continuous capture is stopped, several numbers in the counting sequence may be skipped. This happens due to the internal image buffering scheme used in the camera.



The chunk mode must be active before you can enable the frame counter feature or any of the other chunk feature. Making the chunk mode inactive disables all chunk features.

To enable the frame counter chunk:

- Use the Chunk Selector to select the Frame Counter chunk.
- Use the Chunk Enable parameter to set the value of the chunk to true.

Once the frame counter chunk is enabled, the camera will add a frame counter chunk to each acquired image.

To retrieve data from a chunk appended to an image that has been received by your PC, you must first run the image and its appended chunks through the chunk parser included in the pylon API. Once the chunk parser has been used, you can retrieve the frame counter information by doing the following:

Read the value of the Chunk Frame Counter parameter.

You can set the Chunk Selector and Chunk Enable parameter value from within your application software by using the Basler pylon API. You can also run the parser and retrieve the chunk data. The following code snippets illustrate using the API to activate the chunk mode, enable the frame counter chunk, run the parser, and retrieve the frame counter chunk data:

```
// make chunk mode active and enable Frame Counter chunk
Camera.ChunkModeActive.SetValue( true );
Camera.ChunkSelector.SetValue( ChunkSelector_Framecounter );
Camera.ChunkEnable.SetValue( true );

// retrieve data from the chunk
IChunkParser &ChunkParser = *Camera.CreateChunkParser();
GrabResult Result;
StreamGrabber.RetrieveResult( Result );
ChunkParser.AttachBuffer( (unsigned char*) Result.Buffer(),
```

```
Result.GetPayloadSize() );  
int64_t frameCounter = Camera.ChunkFramecounter.GetValue();
```

For detailed information about using the pylon API, refer to the Basler pylon Programmer's Guide and API Reference.

You can also use the Basler pylon Viewer application to easily set the parameters.

For more information about the pylon Viewer, see Section 3.1.1 on [page 43](#).

Comparing Counter Chunk Data

When comparing trigger input counter data and frame counter data related to the same image, be aware that the trigger input counter initially starts at 1 whereas the frame counter starts at 0. Therefore, the trigger input count will always be ahead of the matching frame count by one if both counters were started at the same time and if an image was acquired for every trigger.

Whenever the counters restart after having reached 4294967295 they will both start another counting cycle at 0. Accordingly, the difference between matching counts will always be one, regardless of the number of counting cycles.

Note that if both counters were started at the same time and not reset since and if the trigger input counter is ahead of the matching frame counter by more than one, the camera was overtriggered and not all external triggers resulted in frame acquisitions.

Frame Counter Reset

Whenever the camera is powered off, the frame counter will reset to 0.

During operation, you can reset the frame counter via software or via I/O input line 1 or line 2. You can also disable the ability to perform a reset by setting the reset source to off. By default, the frame counter reset is disabled.

To use the frame counter reset feature:

- Configure the frame counter reset by setting the counter selector to Counter2 and setting the counter event source to FrameStart.
- Set the counter reset source to line 1, line 2, software, or off.
- Execute the command if using software as the counter reset source.

You can set the frame counter reset parameter values from within your application software by using the Basler pylon API. The following code snippets illustrate using the API to configure and set the frame counter reset and to execute a reset via software.

```
// configure reset of frame counter  
Camera.CounterSelector.SetValue( CounterSelector_Counter2 );  
Camera.CounterEventSource.SetValue( CounterEventSource_FrameStart );  
  
// select reset by signal on input line 1  
Camera.CounterResetSource.SetValue( CounterResetSource_Line1 );
```

```
// select reset by signal on input line 2
Camera.CounterResetSource.SetValue( CounterResetSource_Line2 );

// select reset by software
Camera.CounterResetSource.SetValue( CounterResetSource_Software );
// execute reset by software
Camera.CounterReset.Execute();

// disable reset
Camera.CounterResetSource.SetValue( CounterResetSource_Off );
```

For detailed information about using the pylon API, refer to the [Basler pylon Programmer's Guide and API Reference](#).

You can also use the Basler pylon Viewer application to easily set the parameters.

10.4 Time Stamp

The Time Stamp feature adds a chunk to each acquired image containing a time stamp that was generated when image acquisition was triggered.

The time stamp is a 32 bit value. The time stamp is based on the cycle timers for the IEEE 1394b bus. The counters start at camera reset or at power off/on. The table below how the cycle timers are assigned to the 32 bits in the chunk.

Bits	Description
0 ... 6	Seconds - counts in seconds. Wraps to zero after 127 seconds.
7 ... 19	Cycle Count - counts the number of 125 μ s isochronous bus cycles. Wraps to zero after counting to 7999.
20 ... 31	Cycle Offset - counts at 24.576 MHz and wraps to zero after counting to 3071 (resulting in a 125 μ s cycle)



The chunk mode must be active before you can enable the time stamp feature or any of the other chunk feature. Making the chunk mode inactive disables all chunk features.

To enable the time stamp chunk:

- Use the Chunk Selector to select the Time Stamp chunk.
- Use the Chunk Enable parameter to set the value of the chunk to true.

Once the time stamp chunk is enabled, the camera will add a time stamp chunk to each acquired image.

To retrieve data from a chunk appended to the image you must first run the image and its appended chunks through the chunk parser that is included in the camera's API. Once the chunk parser has been used, you can retrieve the time stamp information by doing the following:

- Read the value of the Chunk Time Stamp parameter.

You can set the Chunk Selector and Chunk Enable parameter value from within your application software by using the pylon API. You can also run the parser and retrieve the chunk data. The following code snippets illustrate using the API to activate the chunk mode, enable the time stamp chunk, run the parser, and retrieve the frame counter chunk data:

```
// make chunk mode active and enable Time Stamp chunk
Camera.ChunkModeActive.SetValue( true );
Camera.ChunkSelector.SetValue( ChunkSelector_Timestamp );
Camera.ChunkEnable.SetValue( true );

// retrieve data from the chunk
```

```
IChunkParser &ChunkParser = *Camera.CreateChunkParser();
GrabResult Result;
StreamGrabber.RetrieveResult( Result );
ChunkParser.AttachBuffer( (unsigned char*) Result.Buffer(),
    Result.GetPayloadSize() );
int64_t timeStamp = Camera.ChunkTimestamp.GetValue();
```

For detailed information about using the pylon API, refer to the Basler pylon Programmer's Guide and API Reference.

You can also use the Basler pylon Viewer application to easily set the parameters.

For more information about the pylon Viewer, see Section 3.1.1 on [page 43](#).

10.5 Trigger Input Counter

The Trigger Input Counter feature numbers external image acquisition triggers sequentially as they are received. When the feature is enabled, a chunk is added to each image containing the related value of the trigger input counter.

The trigger input counter is a 32 bit value. On the first counting cycle, the counter starts at 1 and increments by 1 for each received trigger. The counter counts up to 4294967295 unless it is reset before (see below). After having reached the maximum value the counter will continue counting, starting at 0.

Be aware that if the camera is operating in continuous frame mode (free run) the trigger input counter will not be available.



The chunk mode must be active before you can enable the trigger input counter feature or any of the other chunk feature. Making the chunk mode inactive disables all chunk features.

To enable the trigger input counter chunk:

- Use the Chunk Selector to select the Trigger Input Counter chunk.
- Use the Chunk Enable parameter to set the value of the chunk to true.

Once the trigger input counter chunk is enabled, the camera will add a trigger input counter chunk to each acquired image.

To retrieve data from a chunk appended to an image that has been received by your PC, you must first run the image and its appended chunks through the chunk parser included in the pylon API. Once the chunk parser has been used, you can retrieve the trigger input counter information by doing the following:

- Read the value of the Chunk Trigger Input Counter parameter.

You can set the Chunk Selector and Chunk Enable parameter value from within your application software by using the pylon API. You can also run the parser and retrieve the chunk data. The following code snippets illustrate using the API to activate the chunk mode, enable the trigger input counter chunk, run the parser, and retrieve the trigger input counter chunk data:

```
// make chunk mode active and enable Trigger Input Counter chunk
Camera.ChunkModeActive.SetValue( true );
Camera.ChunkSelector.SetValue( ChunkSelector_Triggerinputcounter );
Camera.ChunkEnable.SetValue( true );

// retrieve data from the chunk
IChunkParser &ChunkParser = *Camera.CreateChunkParser();
GrabResult Result;
StreamGrabber.RetrieveResult( Result );
```

```
ChunkParser.AttachBuffer( (unsigned char*) Result.Buffer(),
    Result.GetPayloadSize() );
int64_t triggerinputCounter = Camera.ChunkTriggerinputcounter.GetValue();
```

For detailed information about using the pylon API, refer to the Basler pylon Programmer's Guide and API Reference.

You can also use the Basler pylon Viewer application to easily set the parameters.

Comparing Counter Chunk Data

When comparing trigger input counter data and frame counter data related to the same image, be aware that the trigger input counter initially starts at 1 whereas the frame counter starts at 0. Therefore, the trigger input count will always be ahead of the matching frame count by one if both counters were started at the same time and if an image was acquired for every trigger.

Whenever the counters restart after having reached 4294967295 they will both start another counting cycle at 0. Accordingly, the difference between matching counts will always be one, regardless of the number of counting cycles.

Note that if both counters were started at the same time and not reset since and if the trigger input counter is ahead of the matching frame counter by more than one, the camera was overtriggered and not all external triggers resulted in frame acquisitions.

Trigger Input Counter Reset

Whenever the camera is powered off, the trigger input counter will reset to 0. During operation, you can reset the trigger input counter via I/O input 1, I/O input 2 or software, and you can disable the reset. By default, the trigger input counter reset is disabled.

To use the trigger input counter reset:

- Configure the trigger input counter reset by setting the counter selector to Counter1 and setting the counter event source to FrameTrigger.
- Set the counter reset source to Line1, Line2, Software or to Off.
- Execute the command if using software as the counter reset source.

You can set the trigger input counter reset parameter values from within your application software by using the pylon API. The following code snippets illustrate using the API to configure and set the trigger input counter reset and to execute a reset via software.

```
// configure reset of trigger input counter
Camera.CounterSelector.SetValue( CounterSelector_Counter1 );
Camera.CounterEventSource.SetValue( CounterEventSource_FrameTrigger );

// select reset by signal on input line 1
Camera.CounterResetSource.SetValue( CounterResetSource_Line1 );

// select reset by signal on input line 2
Camera.CounterResetSource.SetValue( CounterResetSource_Line2 );
```

```
// select reset by software
Camera.CounterResetSource.SetValue( CounterResetSource_Software );
// execute reset by software
Camera.CounterReset.Execute();

// disable reset
Camera.CounterResetSource.SetValue( CounterResetSource_Off );
```

For detailed information about using the pylon API, refer to the [Basler pylon Programmer's Guide and API Reference](#).

You can also use the [Basler pylon Viewer](#) application to easily set the parameters.

10.6 Line Status All

The Line Status All feature samples the status of all of the camera's input lines and output lines each time an image acquisition is triggered. It then adds a chunk to each acquired image containing the line status information.

The line status all information is a 32 bit value. As shown in Figure 79, certain bits in the value are associated with each line and the bits will indicate the state of the lines. If a bit is 0, it indicates that the state of the associated line was low at the time of triggering. If a bit is 1, it indicates that the state of the associated line is was high at the time of triggering.

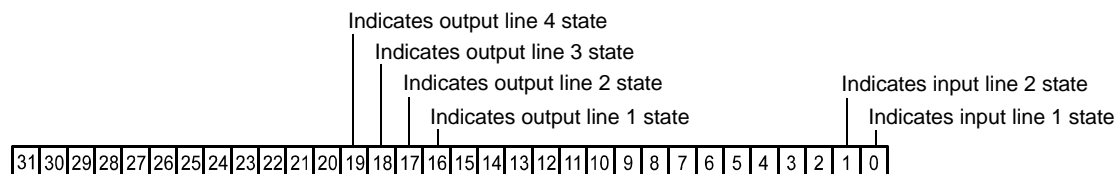


Fig. 79: Line Status All Parameter Bits



The chunk mode must be active before you can enable the line status all feature or any of the other chunk feature. Making the chunk mode inactive disables all chunk features.

To enable the line status all chunk:

- Use the Chunk Selector to select the Line Status All chunk.
- Use the Chunk Enable parameter to set the value of the chunk to true.

Once the line status all chunk is enabled, the camera will add a line status all chunk to each acquired image.

To retrieve data from a chunk appended to an image that has been received by your PC, you must first run the image and its appended chunks through the chunk parser included in the pylon API. Once the chunk parser has been used, you can retrieve the line status all information by doing the following:

- Read the value of the Chunk Line Status All parameter.

You can set the Chunk Selector and Chunk Enable parameter value from within your application software by using the pylon API. You can also run the parser and retrieve the chunk data. The following code snippets illustrate using the API to activate the chunk mode, enable the line status all chunk, run the parser, and retrieve the line status all chunk data:

```
// make chunk mode active and enable Line Status All chunk
Camera.ChunkModeActive.SetValue( true );
Camera.ChunkSelector.SetValue( ChunkSelector_LineStatusAll );
Camera.ChunkEnable.SetValue( true );
```

```
// retrieve data from the chunk
IChunkParser &ChunkParser = *Camera.CreateChunkParser();
GrabResult Result;
StreamGrabber.RetrieveResult( Result );
ChunkParser.AttachBuffer( (unsigned char*) Result.Buffer(),
    Result.GetPayloadSize() );
int64_t lineStatusAll = Camera.ChunkLineStatusAll.GetValue();
```

For detailed information about using the pylon API, refer to the Basler pylon Programmer's Guide and API Reference.

You can also use the Basler pylon Viewer application to easily set the parameters.

For more information about the pylon Viewer, see Section 3.1.1 on [page 43](#).

10.7 CRC Checksum

The CRC (Cyclic Redundancy Check) Checksum feature adds a chunk to each acquired image containing a CRC checksum calculated using the X-modem method. As shown in Figure 6-2, the checksum is calculated using all of the image data and all of the appended chunks except for the checksum itself. The CRC chunk is always the last chunk appended to the image data.

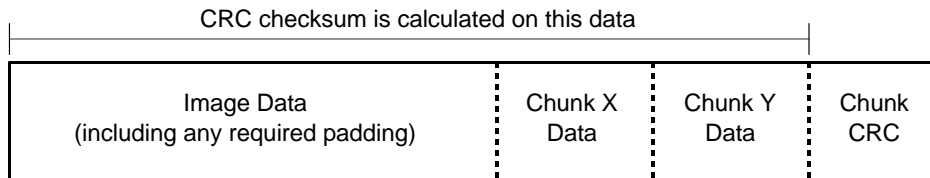


Fig. 80: CRC Checksum



The chunk mode must be active before you can enable the CRC feature or any of the other chunk feature. Making the chunk mode inactive disables all chunk features.

To enable the CRC checksum chunk:

- Use the Chunk Selector to select the CRC chunk.
- Use the Chunk Enable parameter to set the value of the chunk to true.

Once the CRC chunk is enabled, the camera will add a CRC chunk to each acquired image.

To retrieve CRC information from a chunk appended to an image that has been received by your PC, you must first run the image and its appended chunks through the chunk parser included in the pylon API. Once the chunk parser has been used, you can retrieve the CRC information. Note that the CRC information provided by the chunk parser is not the CRC checksum itself. Rather it is a true/false result. When the image and appended chunks pass through the parser, the parser calculates a CRC checksum based on the received image and chunk information. It then compares the calculated CRC checksum with the CRC checksum contained in the CRC checksum chunk. If the two match, the result will indicate that the image data is OK. If the two do not match, the result will indicate that the image is corrupted.

You can set the Chunk Selector and Chunk Enable parameter value from within your application software by using the Basler pylon API. You can also run the parser and retrieve the chunk data. The following code snippets illustrate using the API to activate the chunk mode, enable the time stamp chunk, run the parser, and retrieve the frame counter chunk data:

```
// Make chunk mode active and enable CRC chunk
Camera.ChunkModeActive.SetValue( true );
Camera.ChunkSelector.SetValue( ChunkSelector_PayloadCRC16 );
```

```
Camera.ChunkEnable.SetValue( true );

// Check the CRC checksum of an grabbed image
IChunkParser &ChunkParser =
    *Camera.CreateChunkParser();
GrabResult Result;
StreamGrabber.RetrieveResult( Result );
ChunkParser.AttachBuffer( (unsigned char*) Result.Buffer(),
    Result.GetPayloadSize() );
if ( ChunkParser.HasCRC() && ! ChunkParser.CheckCRC() )
    cerr << "Image corrupted!" << endl;
```

For detailed information about using the pylon API, refer to the Basler pylon Programmer's Guide and API Reference.

You can also use the Basler pylon Viewer application to easily set the parameters.

For more information about the pylon Viewer, see Section 3.1.1 on [page 43](#).

11 Using Multiple Cameras on a Single Bus and Managing Bandwidth

This section includes information about using multiple cameras on a single IEEE 1394 bus.

11.1 Using Multiple Cameras Where All Devices are 1394b

Most of the information included in this manual assumes that you have a single camera attached to your IEEE 1394b bus. But is it also quite common to attach more than one camera to a single bus. One of the main advantages of the IEEE 1394 bus architecture is that it is designed to handle multiple devices (such as cameras) connected to a single bus. And the connected devices can share the available bandwidth on the bus.

One way you can manage two cameras on a single bus is to operate the cameras so that only one camera is transmitting an image at any given time. In this situation, the camera transmitting images can use 100% of the bus bandwidth. In many situations, however, you would like to have two (or more) cameras transmitting images at the same time. In this case, the cameras that are transmitting images simultaneously must share the available bus bandwidth.

To understand how bandwidth is shared on an IEEE 1394 bus, we need to look at a few bus architecture basics. The IEEE 1394b bus operates on a 125 microsecond cycle. During each cycle, the bus can carry a single packet from one device with a packet size up to 8192 bytes. As an alternative, the bus can carry several packets from different devices where the sum of the packet sizes is 8192 bytes or less. These two situations are illustrated in Figure 81.

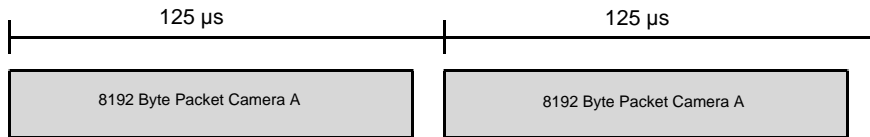
In **situation 1** shown in the figure, a single camera (camera A) is attached to the bus and we want that camera to use 100% of the bandwidth available during each bus cycle. In this case, we would set the camera so that it would put 8192 bytes into the packet that it sends on each cycle of the bus.

In **situation 2**, we have three cameras (cameras A, B, and C) attached to the bus and all three cameras will transmit image data simultaneously. We want camera A to use 25%, of the available bus bandwidth, camera B to use 25%, and camera 3 to use 50%. In this case, we would set

- camera A so that it would put 2048 bytes, i.e., 25% of the 8192 byte maximum, into each packet it sends.
- camera B so that it would put 2048 bytes (25% of 8192) into each packet it sends.
- camera C so that it would put 4096 bytes (50% of the 8192) into each packet it sends.

As shown in the figure, the bus carries the packets sequentially on each cycle. The total byte load in all of the packets combined is 8192 and is equal to the maximum allowed per cycle. Note that we could have made the packet sizes smaller and thus the total byte load per cycle would be less than the maximum allowed. It is OK to make the total byte load smaller than the maximum, but not larger.

Situation 1:



Situation 2:

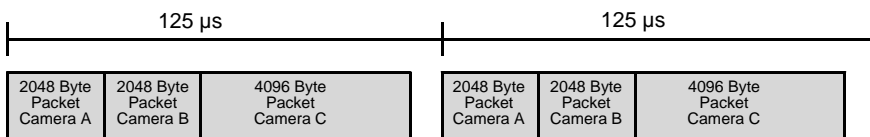


Fig. 81: Packet Transmission During Bus Cycles

A parameter called the Packet Size is used to set the size of the packet that the camera will transmit on each cycle of the bus. For an IEEE 1394b camera attached to an IEEE 1394b bus, the minimum value for this setting is 1 byte and the maximum is 8192 bytes. If you set the packet size to 8192, the camera will use 100% of the available bus bandwidth when it is transmitting images. If you set the bytes per packet to a lower value, the camera will use less of the bandwidth. For example, if you set the value to 5120 (62.5% of 8192), then the camera will send 5120 byte packets when it is transmitting image data and will use 62.5% of the available bus bandwidth.

You can set the value of the Packet Size parameter from within your application software by using the pylon API. The following code snippet illustrates using the API to set the parameter value:

```
// Set packet size
Camera.PacketSize.SetValue( 4096 );
```

For detailed information about using the pylon API, refer to the Basler pylon Programmer's Guide and API Reference.

You can also use the Basler pylon Viewer application to easily set the parameter.

For more information about the pylon Viewer, see Section 3.1.1 on [page 43](#).

11.2 Using Multiple Cameras Where 1394a and 1394b Devices are Mixed

The descriptions in the previous section assume that all of the devices on the bus are IEEE 1394b devices. If the bus has mixed IEEE 1394a devices and IEEE 1394b devices, determining how to share bandwidth between devices is a bit more difficult.

Differences between 1394a devices and 1394b devices:

- A **1394a** device can transmit at what is known as S400 speed (400 Mbit/s).
During a single bus cycle, a device operating at S400 speed can transmit a single packet of up to 4096 bytes. Alternatively, several devices operating at S400 speed can transmit packets during a single bus cycle as long as the sum of the bytes in the packets is 4096 bytes or less.
- A **1394b** device can transmit at what is known as S800 speed (800 Mbit/s).
During a single bus cycle, a device operating at S800 speed can transmit a single packet of up to 8192 bytes. Alternatively, several devices operating at S800 speed can transmit packets during a single bus cycle as long as the sum of the bytes in the packets is 8192 bytes or less.

Speed at which each device will transmit:

- A **1394a** device will always be capable of transmitting at S400 speed on a mixed 1394a / 1394b bus. (The 1394a device can transmit at slower speeds, but we are assuming that you always want to transmit at the fastest speed.)
- A **1394b** device will transmit at S800 speed if all of the devices in its path to the host PC, including the adapter card in the PC, are 1394b devices. If the path to the PC passes through any 1394a device, then the 1394b device will transmit at S400 speed.

Figure 82 illustrates some situations where 1394a devices and 1394b devices are mixed on a single bus. If you look at the figure, you will notice:

- Camera 1 will transmit image data at S400 speed. This is simply because the camera itself is a 1394a device and S400 is the maximum speed for 1394a devices.
- Camera 2 will transmit image data at S400 speed. The camera is a 1394b device, which means that it is capable of S800 speed. But the camera's path to the host PC passes through a 1394a adapter, so this limits the camera's actual maximum speed to S400.
- Camera 3 will transmit image data at S800 speed. This is because the camera is a 1394b device and its path to the host PC passes through only 1394b devices.
- Camera 4 will transmit image data at S400 speed. This is simply because the camera itself is a 1394a device.
- Camera 5 will transmit image data at S400 speed. The camera is a 1394b device, but its path to the host PC passes through a 1394a hub, so this limits the camera's maximum speed to S400.
- Camera 6 will transmit image data at S400 speed. This is simply because the camera itself is a 1394a device.
- Camera 7 will transmit image data at S800 speed. This is because the camera is a 1394b device and its path to the host PC passes through only 1394b devices.

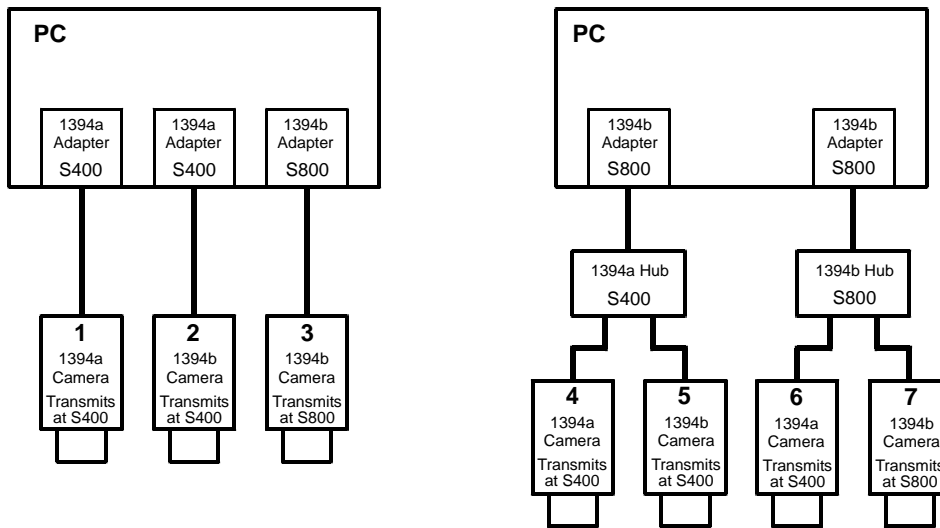


Fig. 82: Examples of Mixed Device Types



The driver will always set each device to operate at the fastest possible speed for the current network configuration. This behavior of the driver can't be changed by the user.

So what does all of this mean when we are trying to share bandwidth between devices operating at different speeds on the same bus? Some examples will provide the best explanation.

Example 1: Assume that you have two cameras on the bus and that you want them to capture and transmit images simultaneously. Camera 1 is operating at S400 speed and the camera 2 is operating at S800 speed. Also assume that you want camera one to use 40% of the available bandwidth and camera 2 to use 60%. How would you set the packet size on the cameras so that each one would use the desired portion of the bandwidth available in each bus cycle?

For camera 1, the calculation would be:

$$0.40 \times 4096 = 1638.4 \text{ bytes per packet}$$

(the packet size must be set to a multiple of 4, so we would round the setting down to 1636)

For camera 2, the calculation would be:

$$0.60 \times 8192 = 4915.2 \text{ bytes per packet}$$

(the packet size must be set to a multiple of 4, so we would round the setting down to 4912)

So in this case, you would set the packet size for camera 1 to 1636 bytes and for camera 2 to 4912 bytes.

You may be asking why we multiply the percentage for camera 1 by 4096 and the percentage for camera 2 by 8192. The reason is:

During the part of the bus cycle when the packet for camera 1 is transmitted, the bus will operate

at S400 speed. At S400, the maximum number of bytes that can be transmitted in a bus cycle is 4096.

During the part of the bus cycle when the packet for camera 2 is transmitted, the bus will operate at S800 speed. At S800, the maximum number of bytes that can be transmitted in a bus cycle is 8192.

Example 2: Assume that you have three cameras on the bus and that you want these camera to capture and transmit images simultaneously. Camera one is operating at S800 speed and is set for a packet size of 4200 bytes. Camera two is operating at S800 speed and is set for a packet size of 1800 bytes. Camera 3 is operating at S400 speed and is set for a packet size of 1000 bytes. How much of the available bandwidth would each camera use?

For camera 1, the calculation would be:

$$4200 / 8192 = 51.3\%$$

For camera 2, the calculation would be:

$$1800 / 8192 = 22.0\%$$

For camera 3, the calculation would be:

$$1000 / 4096 = 24.4\%$$

If you add these three results together, you find that 97.7% of the available bandwidth is being used. Keep in mind that if the sum was greater than 100%, you would need to lower the packet size setting for one or more of the cameras.

11.2.1 Recommended Packet Size

When you change the value of the packet size setting on a camera, there is something that you must keep in mind. If you lower the packet size setting, the camera takes longer to transmit each acquired image. And if you lower the packet size enough, it will begin to restrict the maximum frame rate that the camera can achieve. A read only parameter called the Recommended Packet Size can help you avoid this problem.

The recommended packet size parameter indicates the lowest value you can use for the packet size setting without restricting the camera's maximum allowed frame rate. Assume, for example, that you checked the packet size parameter value and you found it to be 2400. This would mean that if you set the camera's packet size to 2400 bytes or more, the camera's maximum allowed frame rate would not be affected by the packet size setting. And if you set the packet size lower than 2400, the camera's maximum allowed frame rate would be affected. The farther below 2400 you set the packet size, the more restricted the maximum frame rate would be.

You read the value of the Recommended Packet Size parameter from within your application software by using the pylon API. The following code snippet illustrates using the API to get the parameter values:

```
// RecommendedPacketSize
int64_t recommendedPacketSize = Camera.RecommendedPacketSize.GetValue();
```

For detailed information about using the pylon API, refer to the Basler pylon Programmer's Guide and API Reference.

You can also use the Basler pylon Viewer application to easily set the parameters.

For more information about

- the pylon Viewer, see Section 3.1.1 on [page 43](#).
- the camera's maximum allowed frame rate and how it can be restricted by the packet size setting, see Section 7.13 on [page 139](#).

12 Troubleshooting and Support

This section outlines the resources available to you if you need help working with your camera. It also provides some basic troubleshooting information that you can use to solve problems.

12.1 Tech Support Resources

The troubleshooting resources in this section of the manual will help you to find the cause of many common problems. If you need more assistance, you can contact the Basler technical support team for your area. Basler technical support contact information is located in the front pages of this manual.

If you do decide to contact Basler technical support, please take a look at the form that appears on the last two pages of this section before you call. Filling out this form will help make sure that you have all of the information the Basler technical support team needs to help you with your problem.

You will also find helpful information such as frequently asked questions, downloads, and application notes on the Basler website at: www.baslerweb.com

12.2 Obtaining an RMA Number

Whenever you want to return material to Basler, you must request a Return Material Authorization (RMA) number before sending it back. The RMA number **must** be stated in your delivery documents when you ship your material to us! Please be aware that if you return material without an RMA number, we reserve the right to reject the material.

You can find detailed information about how to obtain an RMA number in the Support section of our website: www.baslerweb.com

12.3 Troubleshooting with the Camera LED

If the camera boots up successfully, the LED on the back of the camera will light and will remain green continuously.

If an error condition is detected, the LED will begin to flash. The number of flashes indicates the detected error as shown in Table 21.

LED State	Status Indication
Off	No power to the camera
Continuous green	The camera is OK.
Continuous red	Internal error. Contact Basler technical support.

Table 21: LED Indications

12.4 Troubleshooting Charts

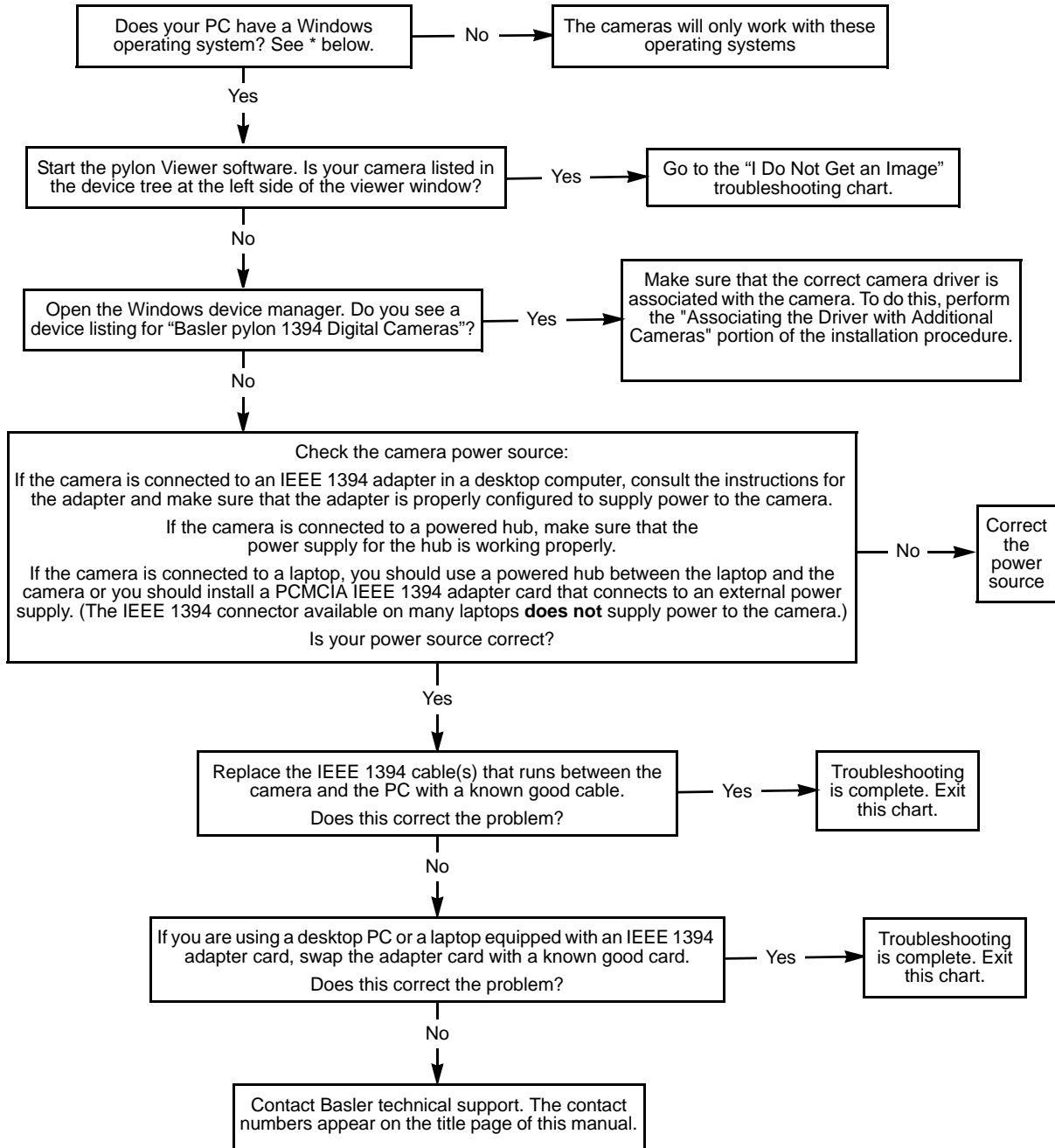
The following pages contain several troubleshooting charts that can help you find the cause of problems users sometimes encounter. The charts assume that you are familiar with the camera's features and settings. If you are not, we suggest that you review the camera manual before you troubleshoot a problem.

The charts also assume that you have the pylon Viewer software installed on your host PC and that you are familiar with using the software.

For more information about the pylon Viewer, see Section 3.1.1 on [page 43](#).

12.4.1 My Camera Is Not Being Recognized

Use this chart if your camera is connected to a PC, but is not being recognized by the PC.



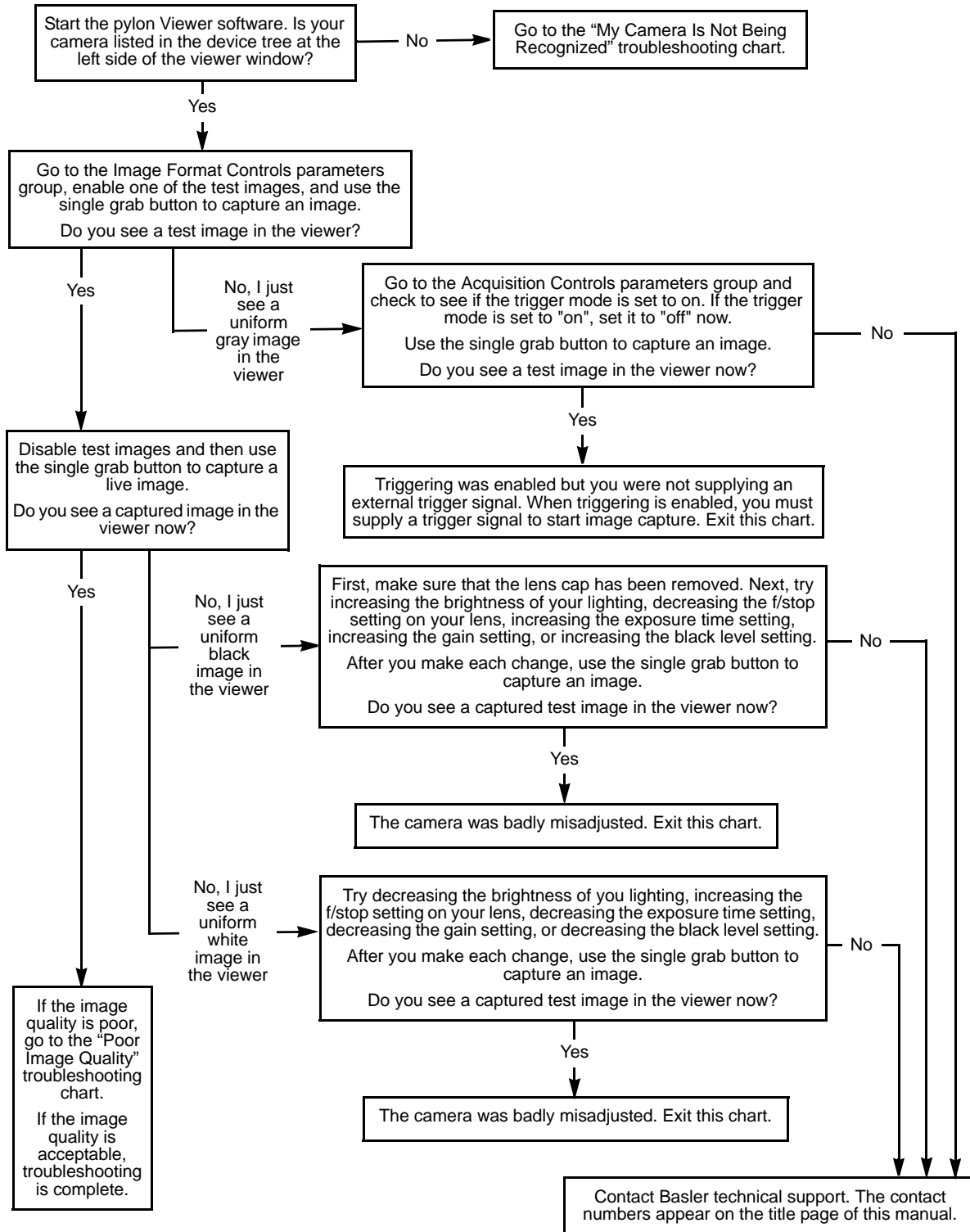
(*)

Windows 2000: no longer supported since pylon 2.2
 Windows Vista: supported from pylon 2.1.0 on
 Windows 7: supported from pylon 2.3.0 on
 Windows 7 SP1: supported from pylon 2.3.4 on

Windows XP 32 bit: supported from pylon 1.0 on
 Windows XP/2000 64 bit: supported from pylon 2.0 on
 Windows 8: pylon does not officially support IEEE 1394 on Windows 8 operating systems

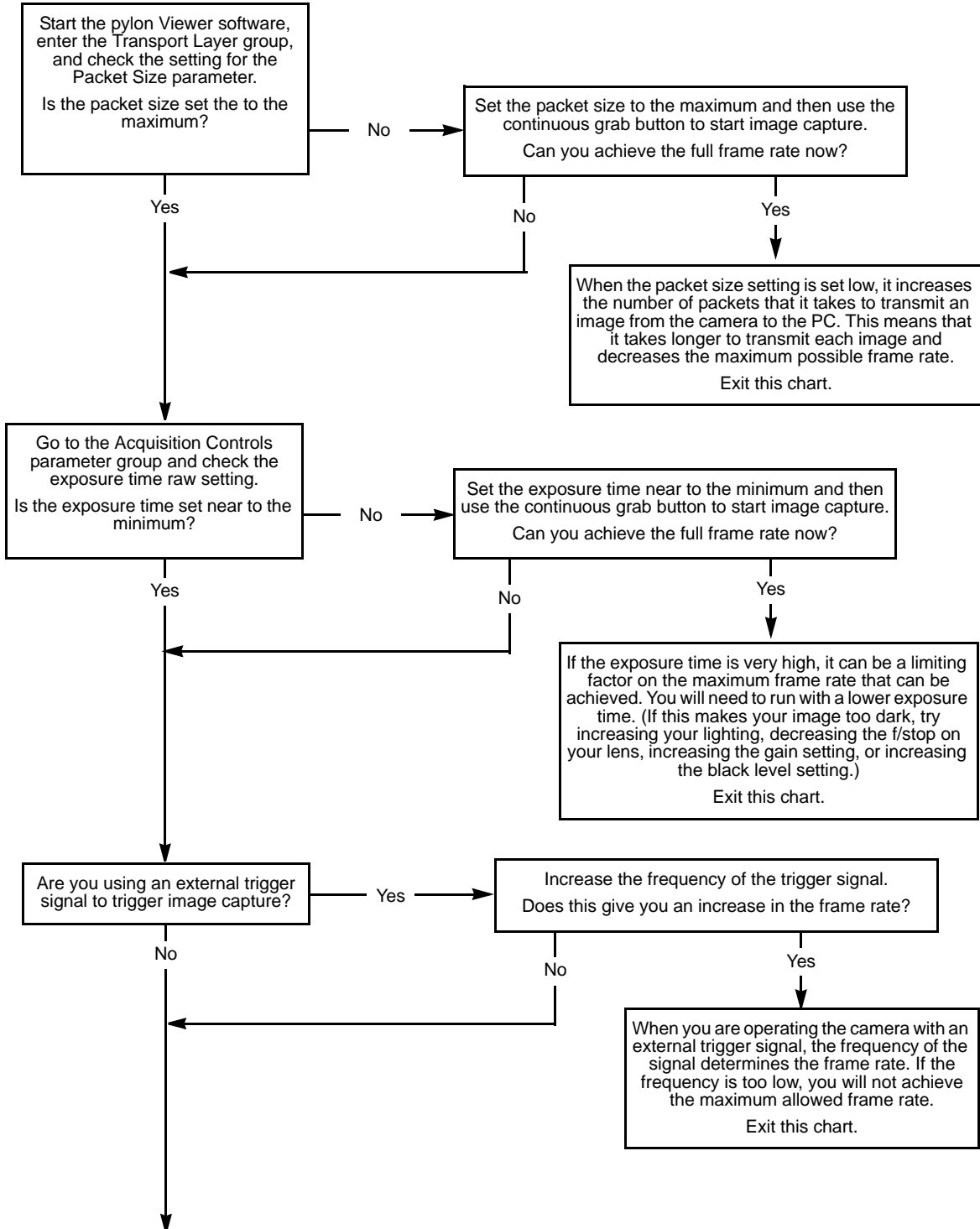
12.4.2 I Do Not Get an Image

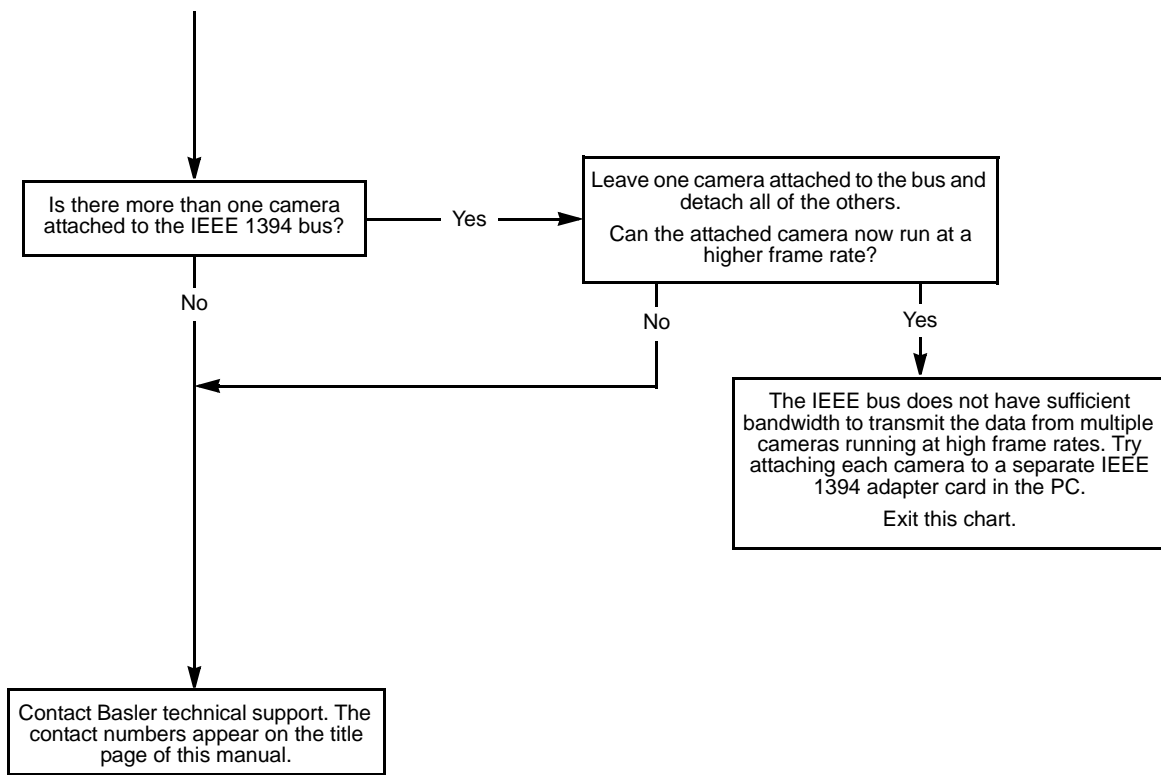
Use this chart if you get no image at all when you attempt to capture an image. If you get a poor quality image, use the "Poor Image Quality" chart.



12.4.3 I Can Not Get the Full Frame Rate

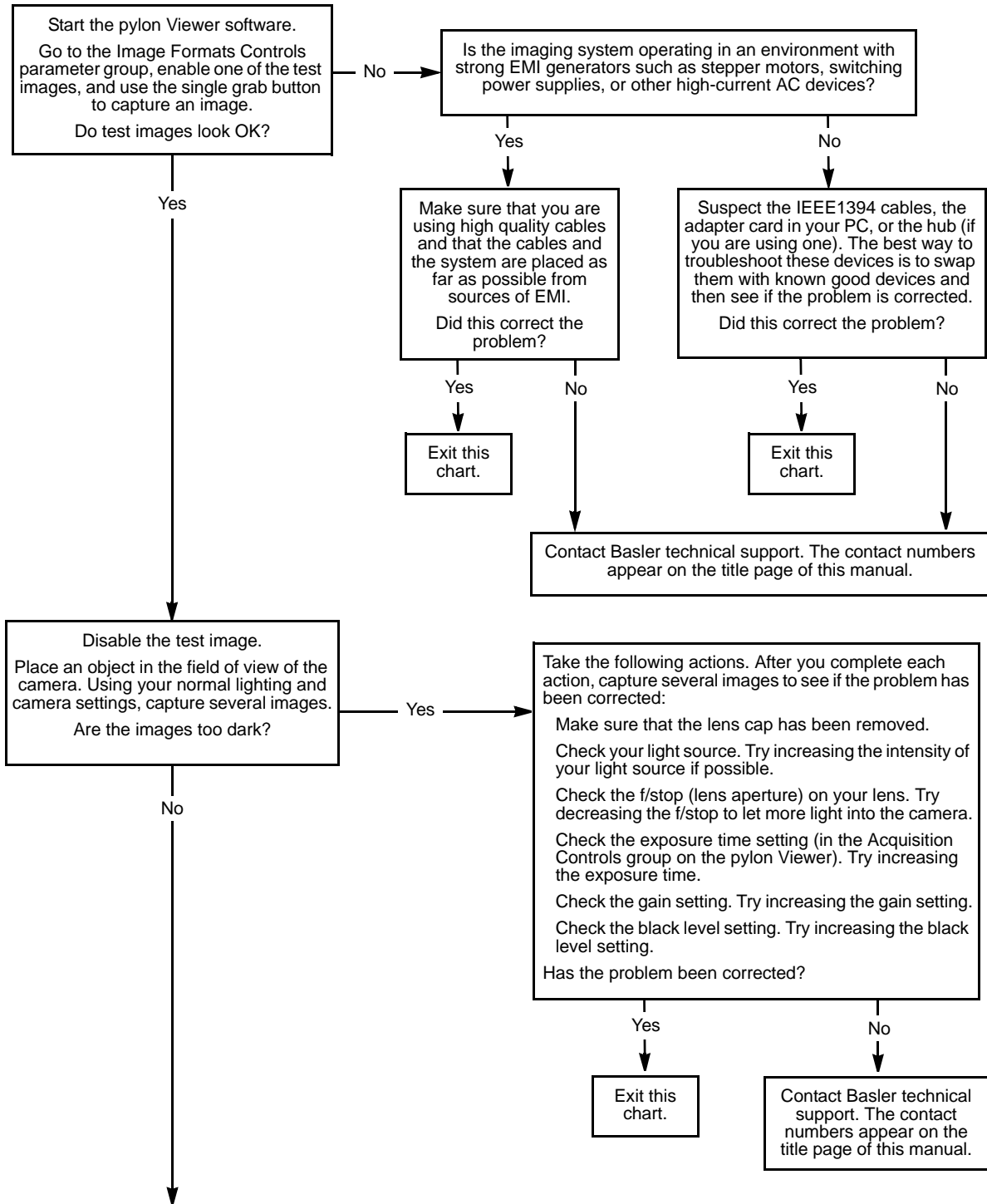
Use this troubleshooting chart if you are attempting to run the camera at its maximum stated frame rate and you are not able to do so.

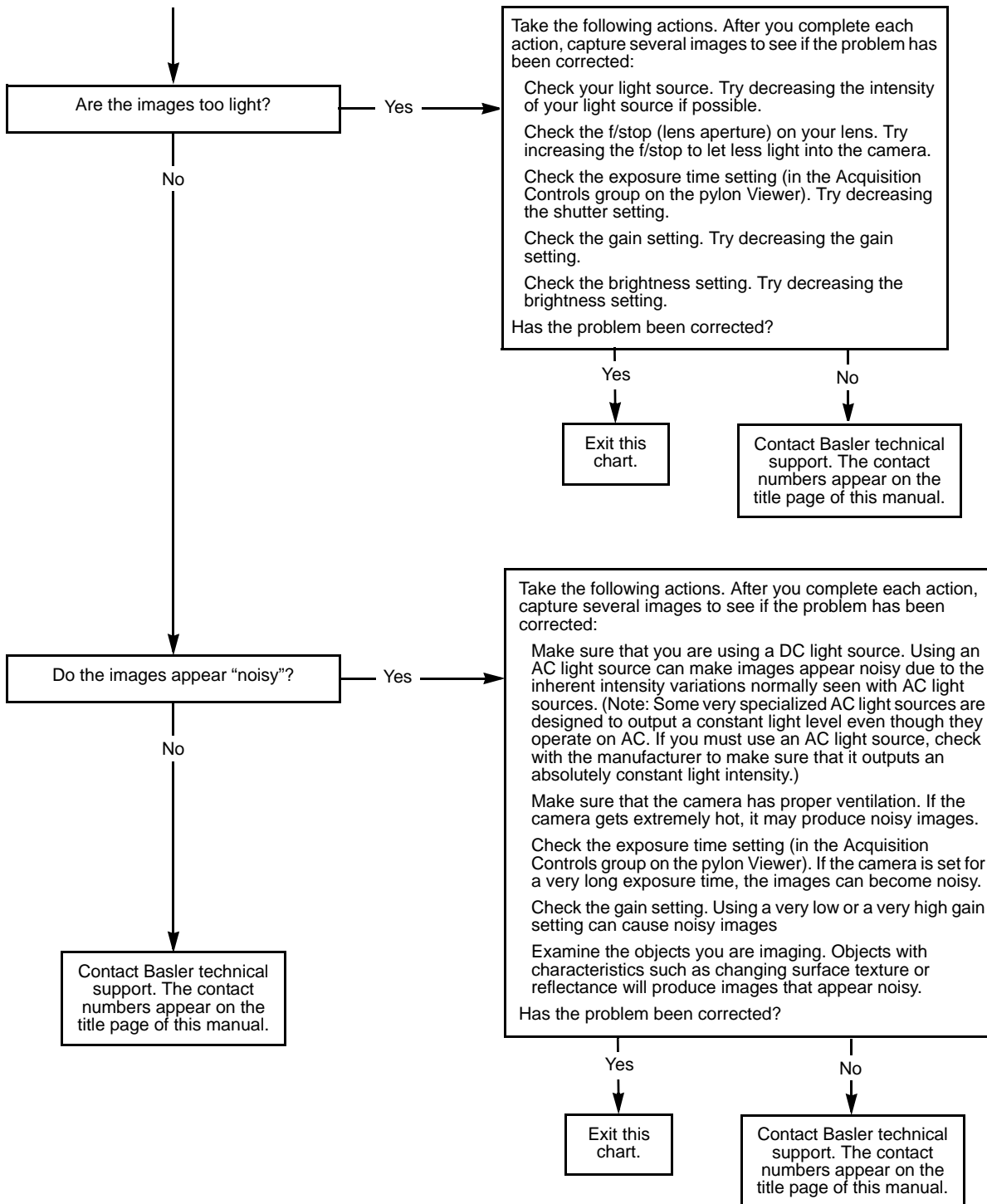




12.4.4 I Get Poor Image Quality

Use this chart if you can capture images, but they are poor quality. (If you can't capture images at all, use the "I Do Not Get an Image" troubleshooting chart.)





12.5 Before Contacting Basler Technical Support

To help you as quickly and efficiently as possible when you have a problem with a Basler camera, it is important that you collect several pieces of information before you contact Basler technical support.

Copy the form that appears on the next two pages, fill it out, and fax the pages to your local dealer or to your nearest Basler support center. Or, you can send an e-mail listing the requested pieces of information and with the requested files attached. Basler technical support contact information is shown in the title section of this manual.

- 1 The camera's product ID: _____
- 2 The camera's serial number: _____
- 3 1394 adapter that you use with the camera: _____

- 4 Describe the problem in as much detail as possible: _____
(If you need more space, use an extra sheet of paper.) _____

- 5 If known, what's the cause of the problem? _____

- 6 When did the problem occur?
 After start. While running.
 After a certain action (e.g., a change of parameters): _____

- 7 How often did/does the problem occur?
- Once. Every time.
- Regularly when:

- Occasionally when:

- 8 How severe is the problem?
- Camera can still be used.
- Camera can be used after I take this action:

- Camera can no longer be used.

- 9 Did your application ever run without problems? Yes No

10 Parameter set

It is very important for Basler technical support to get a copy of the exact camera parameters that you were using when the problem occurred.

To make a copy of the parameters, use the pylon Viewer. There are two possibilities:

- Go to pylon Viewer > Camera > Save Features... and save a *.pfs file. Or
- Go to pylon Viewer > Tools > Copy to clipboard.
Open a text editor (e.g. Notepad), paste the content from the clipboard and save a text file.

If you cannot access the camera, please try to state the following parameter settings:

- Pixel format: _____
- Packet size: _____
- Exposure time: _____
- Frame rate: _____

11 Live image/test image

If you are having an image problem, try to generate and save live images that show the problem. Also generate and save test images. Please save the images in BMP format, zip them, and send them to Basler technical support.

Revision History

Doc. ID Number	Date	Changes
AW00012501000	10 Jan 2007	Initial release of this document.
AW00012502000	20 Mar 2007	<p>Updated the camera weights in the specification table in Section 1.2 on page 2.</p> <p>Added the dimensions for cameras equipped with CS-mount lens adaptors to Section 1.5 on page 24.</p> <p>Added Section 9.16 on page 235 to describe the new configuration sets feature.</p> <p>Corrected the description of the available device information parameters in Section 9.18 on page 241.</p> <p>Added Section 9.16 on page 235 to describe the new event reporting standard feature.</p> <p>Added Section 10.7 on page 259 to describe the new CRC checksum chunk feature.</p> <p>Added information for the newly released scA750-60fm/fc camera.</p> <p>Updated all affected text and tables as appropriate.</p>
AW00012503000	11 Jun 2007	<p>Added information on IP30, Section 1.5.1.1 on page 24 and Section 1.5.2.1 on page 29.</p> <p>Added information (drawings inclusive) on the 90° head housing variant: Section 1.5.2 on page 29.</p> <p>Added Section 1.5.4 on page 31 with information on mechanical stress test results.</p> <p>Modified Section 2 for the installation of the Basler pylon software, version 1.0.</p> <p>Added information on the 8 bits effective pixel data: Section 8.2.1 on page 155, Section 8.2.4 on page 161, Section 8.2.5 on page 161, Section 8.3.3 on page 166, Section 8.3.6 on page 172, Section 8.3.7 on page 175 and Section 8.3.8 on page 177.</p> <p>Added minimum gain raw settings with vertical binning in Section 9.1 on page 181.</p> <p>Minor modifications throughout the manual: modified frame height to AOI height.</p>

Doc. ID Number	Date	Changes
AW00012504000	12 Oct 2007	<p>Modified mechanical drawings in Section 1.5.1.1 on page 24 (dimensions), Section 1.5.2.1 on page 29 (dimensions), Section 1.5.2.2 on page 31 (front module reference planes), and deleted excess receptacle in Figure 22 in Section 1.5.1.1 on page 24.</p> <p>Added note on internal dust seal in Section 1.9 on page 37.</p> <p>Added warning not to remove the serial number in Section Section 1.9 on page 37.</p> <p>Updated times in Section 5.7.3 on page 63.</p> <p>Corrected receptacle pin assignments in Fig 36 in Section 5.7.3 on page 63.</p> <p>Removed note on scA750-60 output in Sections 8.2.4, 8.2.5, 8.3.6, 8.3.7, 8.3.8.</p> <p>Corrected sequence of colors for Bayer BG 12 Packed format in Section 8.3.5 on page 170.</p> <p>Minor corrections throughout the manual.</p>
AW00012505000	21 Dec 2007	<p>Added guidelines for avoiding EMI and ESD problems in Section 2.1.1 on page 34.</p> <p>Corrected the voltage ranges relating to logic 0 and logic 1 in Section 5.7.1 on page 57.</p> <p>Added references to Application Notes AW000565 in Section 7.3.1 on page 83 and Section 7.9.1 on page 129.</p> <p>Added reference to binning in Section 9.6 on page 198.</p> <p>Added the binning feature in Section 9.7 on page 158.</p> <p>Added the Gamma feature in Section 9.10 on page 213.</p> <p>Added the Disable Parameter Limits feature in Section 9.12 on page 228.</p> <p>Added the Debouncer feature in Section 9.13 on page 229.</p> <p>Minor corrections throughout the manual.</p>
AW00012506000	15 Feb 2008	<p>Included the "Software Licensing Information" section on page 34.</p> <p>Moved the guidelines for avoiding EMI and ESD problems to Section 1.7 on page 35.</p> <p>Included the warning related to code snippets in Section 1.9 on page 37.</p> <p>Transferred the "Software and Hardware Installation" section to the "Installation and Setup Guide for Cameras Used with Basler's pylon API", (AW000611).</p> <p>Added the reference to the "Installation and Setup Guide for Cameras Used with Basler's pylon API" in Section 2 on page 41.</p> <p>Corrected the minimum value for the Timer Delay Raw parameter and indicated the minimum value for the Timer Delay Time Base Abs parameter in Section 6.2.4.2 on page 71.</p>

Doc. ID Number	Date	Changes
AW00012507000	5 Mar 2008	<p>Integrated the scA1400-30fm/fc.</p> <p>Corrected the type of interface in the table in Section 1.5.2.2 on page 31.</p> <p>Added information on the lens to which the mechanical shock tests apply in Section 1.5.4 on page 31.</p> <p>Added information on the input line transition threshold in Table 8 on page 51.</p> <p>Added the maximum exposure times and related settings in Section 7.7.1 on page 117.</p> <p>Minor modifications and corrections throughout the manual.</p>
AW00012508000	18 Jul 2008	<p>Integrated information for the scA1300-32fm/fc.</p> <p>Updated the distances and related tolerances between the front of the lens mount and the sensor's photosensitive area in Section 1.5 on page 24.</p> <p>Indicated the applicability of the mechanical stress test to cameras with standard housing and an extended duration of the broad-band vibration test in Section 1.5.4 on page 31.</p> <p>Removed voltage information from Table 8 in Section 5.2.2 on page 51.</p> <p>Added Section 5.4.3 on page 55 and notes in Section 5.4.2 on page 49, introducing the PLC cable.</p> <p>Included detailed voltage information in Section 5.6 on page 52, Section 5.7.1.1 on page 57, and Section 5.7.2.1 on page 60.</p> <p>Modified the absolute maximum rating to +30 VDC in Section 5.7.1.2 on page 59, and Section 5.7.2.2 on page 60.</p> <p>Added a note relating to the debouncer in Section 7.12 on page 141.</p> <p>Updated the black level feature description and the Black Level Raw parameter range for the scA1400-30 in Section 9.2 on page 188.</p> <p>Corrected the minimum value for the white balance ratio in Section 9.3 on page 190.</p> <p>Corrected the name of the Gamma parameter in Section 9.10 on page 213. (The Gamma parameter was incorrectly referred to as the Gamma Raw parameter.)</p> <p>Included the "Auto Functions" section on page 214 and added related information in other parts of the manual.</p> <p>Extended the description of the debouncer in Section 9.13 on page 229.</p> <p>Minor modifications and corrections throughout the manual.</p>
AW00012509000	22 Aug 2008	<p>Updated contact addresses and phone numbers.</p> <p>Official release of the auto functions.</p>

Doc. ID Number	Date	Changes
AW00012510000	18 Feb 2009	<p>Integrated information for the scA640-120fm/fc.</p> <p>Added a note to Section 1.7 on page 35 indicating than an application note regarding EMI/ESD control is available.</p> <p>The text in sections Section 2 on page 41 and Section 3 on page 43 has been revised to reflect that the pylon driver package is now downloadable from the website.</p> <p>Removed the incorrect information about a Device User ID parameter in Section 9.18 on page 241 and replaced it with the correct information about the Device ID parameter.</p> <p>Added Section 12.2 on page 225 describing how to obtain an RMA number.</p>
AW00012511000	17 June 2009	<p>Updated sensor name "Micron MT9V022" to "Aptina MT9V022" in Section 1.2 on page 2.</p> <p>Removed the notes designating the information about the scA1300-32fm/fc cameras as preliminary in Section 1.2 on page 2.</p> <p>Updated minimum allowed exposure timens in Section 7.7 on page 116.</p> <p>Updated the constants C_1, C_2, and C_3 for scA1300-32fm/fc cameras in Section 7.13 on page 144.</p> <p>Added the digital shift feature in Section 9.4 on page 191.</p> <p>Corrected the indications of x offset and y offset in Figure 68 in Section 9.6 on page 198 and in Figure 65 in Section 9.11.1.2 on page 216.</p> <p>Added the reverse X feature in Section 9.8 on page 204.</p> <p>Removed the statement that auto functions have no effect on frame rate in Section 9.11.1 on page 214 and added a note that frame rate may be affected if exposure auto is used Section 9.11.3 on page 223.</p> <p>Added a reference to the reverse X feature in Section 9.11.1.2 on page 216.</p> <p>Replaced "Auto Gain Raw" by the correct "Gain Raw (All)" parameter name in Section 9.11.2 on page 221.</p> <p>Replaced "Auto Exposure Time Abs" by the correct "Exposure Time Abs" parameter name in Section 9.11.3 on page 223.</p> <p>Added the auto function profile feature in Section 9.11.4 on page 225 and adjusted Section 9.11.2 on page 221 and Section 9.11.3 on page 223 accordingly.</p> <p>Added the trigger delay feature in Section 9.14 on page 231.</p> <p>Added the acquisition status feature in Section 9.15 on page 233 and added a reference in Section 7.2.3 on page 80.</p> <p>Added the high gain and auto functions factory setups and the standard factory setup (formerly the "default set") in Section 9.19 on page 243.</p> <p>Added descriptions about resetting the frame counter and about relating frame and trigger input counter in Section 10.3 on page 249.</p> <p>Corrected the maximum value for the frame counter in Section 10.3 on page 249.</p> <p>Added the trigger input counter feature in Section 10.5 on page 254.</p>

Doc. ID Number	Date	Changes
AW00012512000	14 Apr 2011	<p>Integrated the scA1600-28fm/fc.</p> <p>Updated European and U.S. phone numbers and U.S. contact address.</p> <p>Indicated the availability of programming languages other than C++ for use with pylon in Section 1.9 on page 37.</p> <p>Added LZ4 licensing information in Section 1.6.2 on page 35.</p> <p>Changed the maximum allowed current for an output circuit to 50 mA in Section 5.7.2.2 on page 60.</p> <p>Modified input line assignment to take account of standard and legacy modes in image acquisition control in Section 6.1.1 on page 65.</p> <p>Added the Acquisition Trigger Wait signal to Section 6.2.1 on page 67.</p> <p>Re-wrote Section 7 on page 77 to describe acquisition start trigger and frame start trigger and to take account of standard and legacy modes in image acquisition control.</p> <p>Indicated that the maximum possible frame rate can not be achieved with the acquisition mode parameter set to single frame in Section 7.3 on page 83, Section 7.13 on page 144, and Section 7.14 on page 149.</p> <p>Updated the exposure start delay values and the frame readout time formula in Section 7.12 on page 141.</p> <p>Updated C_1, C_2, and C_3 constants, formula 1, and the calculated examples in Section 7.13 on page 144 and Section 7.14 on page 149.</p> <p>Indicated the applicability of the gain calculation procedure for the scA640-120 and scA1300-32, corrected the dB gain values at max. setting for the scA640-120 and scA1300-32, and included a calculated example in Section 9.1 on page 181.</p> <p>Indicated the effect of the black level parameter setting for the scA640-120 in Section 9.2 on page 188.</p> <p>Modified Section 9.14 on page 231 and Section 9.15 on page 233 to take account of standard and legacy mode in image acquisition control.</p> <p>Added events and parameter names in Section 9.16 on page 235, and removed some descriptions for transfer to the "Camera Events" code sample.</p> <p>Rearranged sequence of sections 6 through 8.</p> <p>Removed the feedback page.</p>

Doc. ID Number	Date	Changes
AW00012513000	24 Sep 2013	<p>Inserted new Basler logo on the front page.</p> <p>Updated the mail addresses on the back of the front page.</p> <p>Removed information related to the scA1000-20gm cameras throughout the manual.</p> <p>Renaming throughout the manual: new name: Basler pylon Camera Software Suite.</p> <p>Added information about the 90° head housing model for the scA1600-28 camera in Section 1.</p> <p>Added a separate IR cut filter note for the scA1600-28 in Section 1.5 on page 24.</p> <p>Removed abs. max. voltages from tables in Section 5.6.1.1 on page 56 and Section 5.6.1.2 on page 57.</p> <p>Updated Figure 34 on page 57 and Figure 35 on page 58 (simplified figures).</p> <p>Entered "(typical)" for each value in Section 5.6.3 on page 59.</p> <p>Replaced +30 VDC Absolute Max. by +0 to +24 VDC in Figure 34 on page 57, Section 5.6.2.2 on page 58.</p> <p>Removed Fig. 37 "Typical LED Output Signal at +24 VDC for the External Circuit (Example) and Fig. 39 "I/O Line Schematic".</p> <p>Updated the exposure start delay value for the scA1600-28 model in Table 13 on page 136.</p> <p>Updated the minimum gain value for the scA1300-17 to 350 in Table 17 on page 178.</p> <p>Updated the balance ratio value range in Section 9.3 on page 186.</p> <p>Corrected the method used for calculating the CRC checksum to "X-modem" in Section 10.7 on page 257.</p> <p>Removed sentence "Some auto functions use their own individual Auto Function AOI and some auto functions share a single Auto Function AOI" in Section 9.11.1 on page 210.</p> <p>Adapted chart in Section 12.4.1 on page 268 (what Windows system is supported from what pylon version on).</p> <p>Removed the Dump Register Tool from Section 12.5 "Before Contacting Basler Technical Support".</p>

Doc. ID Number	Date	Changes
AW00012514000	23 Jan 2015	<p>Updated the Basler contact details on the back of the front page.</p> <p>Minor corrections in the FCC Rules section on the back of the front page.</p> <p>Added references to the CE Conformity Declaration in Section 1.2 on page 2.</p> <p>Added information about the available software to the camera specifications in Section 1.2 on page 2.</p> <p>Updated pylon-related details and language conventions:</p> <ul style="list-style-type: none"> ■ Renamed "pylon driver package" to "pylon Camera Software Suite". ■ Updated pylon SDK content information in Section 3.1.2 on page 44. ■ Updated the title of the AW000611 document. <p>Added information to the "Avoid dust on the Sensor" notice in Section 1.9 on page 38.</p> <p>Merged the "Connector Pin Assignments and Numbering" and "Connector Types" sections to form Section 5.2 on page 50 ("Camera Connector Types, Connection Numbering, and Assignments").</p> <p>Merged the "Standard I/O Cable" and "PLC I/O Cable" sections to form Section 5.3.2 on page 53 ("I/O Cable").</p> <p>Added information about using a suitable power and I/O cable in Section 5.3.2 on page 53.</p> <p>Added information related to the maximum wire diameter in Section 5.3.2 on page 53.</p> <p>Updated information related to the maximum cable length in Section 5.3.2 on page 53.</p> <p>Removed information related to the PLC power and I/O cable voltage levels in Section 5.6.1.1 on page 56.</p>

Index

A

acquisition frame count parameter83, 85
 acquisition frame rate
 and AOI size139, 144
 maximum allowed139, 144
 acquisition frame rate abs parameter 89, 91,
 100,102
 acquisition mode parameter79
 acquisition start command 75, 79, 229
 acquisition start trigger76
 details81
 acquisition start trigger delay (legacy mode)
 109
 acquisition start trigger mode parameter .82
 acquisition status229
 acquisition stop command75, 79
 acquisition trigger wait signal133
 acquisition start trigger in legacy mode99
 active configuration set239
 AOI
 see area of interest
 area of interest
 auto function AOI210
 default resolution195
 explained194
 setting195
 using with binning199
 area of interest, auto functions
 explained212
 auto function210
 using with binning210
 auto function AOI
 explained210
 setting215
 auto function profile221
 auto functions
 modes of operation211
 auto functions factory setup239, 241

B

balance white auto222
 bandwidth 142, 143, 147
 sharing with multiple cameras259
 Bayer BG 12 packed pixel format166
 Bayer BG 16 pixel format164
 Bayer BG 8 pixel format160

Bayer filter 158
 Bayer RG 8 pixel format 162
 binning 197
 AOI settings 199
 image distortion 199
 reduced resolution 199
 response to light 198
 setting 198
 bit depth2, 4, 6, 8, 10
 black level
 explained 184
 setting 185
 black level raw parameter 185
 black level selector 185
 block diagram 46, 48

C

cables
 IEEE 1394 52
 PLC power and I/O cable 53
 standard I/O cable 53
 camera power requirements 2, 4, 6, 8, 10, 55
 chunk enable parameter 247, 250, 252, 255,
 257
 chunk frame counter parameter 247
 chunk line status all parameter 255
 chunk mode active parameter 246
 chunk parser 247, 250, 252, 255, 257
 chunk selector 247, 250, 252, 255, 257
 chunk time stamp parameter 250
 chunk trigger input counter parameter .. 252
 cleaning the camera and sensor 40
 code snippets
 programming language 39
 proper use 39
 color filter 158
 configuration set loaded at startup 243
 configuration sets 239–243
 defined 239
 conformity3, 5, 7, 9, 11
 connectors 49, 50
 continuous acquisition mode79
 CRC checksum chunk 257

D

debouncer	
and exposure start delay	136
explained	225
setting	226
default configuration set	239
device firmware version parameter	237
device ID parameter	237
device model name parameter	237
device scan type parameter	237
device vendor name parameter	237
digital shift	187
dimensions	29
disable parameter limits	
explained	224

E

electromagnetic interference	36
electrostatic discharge	36
EMI	36
environmental requirements	37
ESD	36
event	
Acquisition Start Overtrigger	231
Event Overrun	231
Exposure End	231
Frame Start Overtrigger	231
event reporting	231
exposure	
overlapped	124, 126
exposure active signal	127
exposure auto	219
exposure mode	
timed	95, 107
trigger width	96, 108
exposure modes	107
exposure start delay	136
exposure time	
controlling with an external trigger signal	
94,	105
minimum allowed	112
setting	112, 113
exposure time abs parameter	89, 91, 102, 114
exposure time base abs parameter	113
exposure time raw parameter	113

F

factory setup	239, 241
auto functions factory setup	239
high gain factory setup	239
standard factory setup	239
frame	75
frame counter chunk	247
reset	248
frame period	125
frame rate	
controlling with an external trigger signal	
94,	106
maximum allowed	144
frame readout time	137
frame start trigger	76
details	88
frame start trigger delay (standard mode)	97
frame start trigger mode parameter	89, 100
frame transmission end time	137
free run	116
front module	29
functional description	45

G

gain	177
setting	178, 182
gain auto	217
gamma correction	209

H

hardware trigger	
acquisition start	86, 105
frame start	94
high gain factory setup	241
horizontal binning	197
horizontal mirror image	200
housing	
90° head	1, 29
standard	1, 24
humidity	37

I

IEEE 1394b device information	54
image acquisition control mode	
legacy	73
standard	73

image distortion199
 image property
 target value210
 input lines
 configuring61
 electrical characteristics57
 inverter62
 voltage requirements56
 installation
 hardware41
 software41
 integrate enabled signal127
 inverter
 input lines62
 output lines65
 IP3024, 29
 IR cut filter 18, 32, 193

L

LED49, 266
 lens adapter 2, 4, 6, 8, 10
 lens thread length32
 line inverter parameter62, 65
 line selector 63, 127, 130, 132, 135
 line source parameter 63, 127, 130, 132, 135
 line status all chunk255
 line status parameter71
 lookup table203, 206
 luminance lookup table203, 206
 LUT203, 206
 LUT enable parameter205, 208
 LUT index parameter205, 208
 LUT selector205, 208

M

max height parameter237
 max width parameter237
 maximum acquisition frame rate ..139, 144
 maximum lens thread length32
 mechanical stress tests33
 mirror image200
 models1
 modes of operation (of auto functions) ..211
 mono 12 packed pixel format155
 mono 16 pixel format153
 mono 8 pixel format151, 173
 mounting holes29
 multiple cameras on a bus259

O

optical size of the sensor2, 4, 6, 8, 10
 output line
 voltage requirements 58
 output lines
 configuring 63
 electrical characteristics 58
 inverter 65
 response time 59
 voltage requirements 58
 over triggering 106
 overlapped exposure 124, 126

P

packet size 142, 147, 259, 262, 264
 packet size parameter 142, 147
 parameter sets 239
 parameter sets, saving 240
 parameters loaded at startup 243
 pin assignments 50, 51
 pixel data formats 149
 YUV 422 (YUYV) packed 157
 YUV 422 packed 157
 pixel format parameter 150
 pixel formats
 Bayer BG 12 packed 166
 Bayer BG 16 164
 Bayer BG 8 160
 Bayer RG 8 162
 mono 12 packed 155
 mono 16 153
 mono 8 151, 173
 YUV 422 (YUYV) packed 171
 YUV 422 packed 168
 pixel size2, 4, 6, 8, 10
 pixel transmission sequence 175
 PLC power and I/O cable 53
 polarity, power 55
 power consumption 55
 precautions 38
 protection class 24, 29
 pylon
 ~ SDK 44
 pylon Camera Software Suite 43

R

recommended packet size parameter .. 264
 reduced resolution 199

- resulting frame rate abs parameter 139, 143, 144, 147
 return material authorization 265
 reverse X
 explained 200
 RMA number 265
- S**
- s400 speed 261
 s800 speed 261
 saving parameter sets 239, 240
 SDK
 pylon ~ 44
 sensor
 architecture 46, 48
 optical size 2, 4, 6, 8, 10
 pixel size 2, 4, 6, 8, 10
 position accuracy 27, 31
 size 1, 2, 4, 6, 8, 10
 type 2, 4, 6, 8, 10
 sensor height parameter 237
 sensor width parameter 237
 serial number 40
 sets of parameters, saving 240
 single frame acquisition mode 79
 software trigger
 acquisition start 85
 frame start 92, 103
 spectral response 12–23
 standard factory setup 239, 241, 242
 standard I/O cable 53
 startup parameter set 243
 startup set 240, 243
 stress tests 33
 support 275
- T**
- target value 210
 temperature, housing 37
 test image selector 233
 test images 233
 time delay time base abs parameter 68
 time stamp 250
 timed exposure mode 95, 107
 timer delay 68
 timer delay abs parameter 68
 timer delay raw parameter 67
 timer delay time 67
 timer delay time base 68
 timer duration 69
 timer duration abs parameter 70
 timer duration raw parameter 69
 timer duration time base 69
 timer duration time base abs parameter 69
 timer selector 66, 67, 69, 70
 timer trigger source parameter 66
 transition threshold, input lines 56
 trigger delay 227
 acquisition start (legacy mode) 109
 frame start (standard mode) 97
 trigger input counter chunk 252
 reset 253
 trigger ready signal 96, 108, 128
 trigger width exposure mode 96, 108
 troubleshooting
 charts 267
 with the LED 266
- U**
- use case diagrams 115
 user configuration set 240
 user output selector 64
 user output value parameter 64
- V**
- ventilation 37
 vertical binning 197
 voltage, input 55
- W**
- white balance 186
 setting 186
 white balance auto
 see balance white auto
- Y**
- YUV 422 (YUYV) packed pixel data format 157
 YUV 422 (YUYV) packed pixel format .. 171
 YUV 422 data range 169
 YUV 422 packed pixel data format 157
 YUV 422 packed pixel format 168