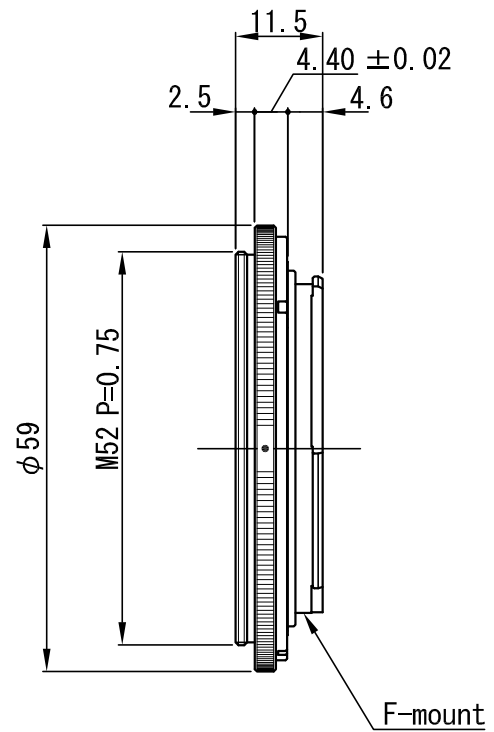


8K FFL for Super 35mm sensor

Model	VS-HX7535
Focal Length (f)	75 mm (75.00)
Maximum Aperture Ratio	1: 3.5
Aperture	F 3.5 ~ F 16
Angle of View (Super 35mm)	13.3° × 19.9° (Diagonal: 24.2°)
M.O.D	724.7 mm
TV Distortion (Super 35mm)	-0.32 %
Operation	Manual (Lock screw M2)
Wavelength	Visible
Mount	M 52 P= 0.75
Flange Back	50.9 mm
Sensor Size (max.)	Super 35mm
Filter Thread	M 49 P= 0.75
Weight (approx.)	430 g
Dimension	ϕ 57 (max.) × L = 82.6 mm



$\triangle \times$				APPROVED	CHECKED	MATERIAL 材料	-	CHAMFER 一般面取	-	QUANTITY 個数	
$\triangle \times$				T. A.	T. A.	TREATMENT 処理	-	FINISHING 仕上	-	-	
$\triangle \times$						TREATMENT CONTACT 処理接点	-	DECENTRATION 偏芯	-		
$\triangle \times$				DESIGNED	DRAWN	OVER 250 UP TO 1000	± 0.3 ± 0.5 ± 1.0 ± 0.2	ANGLE 角度	METHOD 図法	REMARK 適用 (機種名)	
$\triangle \times$				T. A.	T. T.	OVER 63 UP TO 250	± 0.2 ± 0.3 ± 0.6 ± 0.15	-		VS - EXR 4.4 / F	
$\triangle \times$						OVER 16 UP TO 63	± 0.1 ± 0.2 ± 0.4 ± 0.1				SCALE
$\triangle \times$						OVER 0 UP TO 16	± 0.05 ± 0.1 ± 0.2 ± 0.1	DATE	15.03.23	DRAW NO.	01DAD0139A1
NO. x 箇所	REVISION 訂正事項	DATE	NAME			TOLERANCES	A B C S				