



Basler boost V cameras

Engineered with one thing in mind

Boost Your Performance

Designed for challenging applications



50 Gbps bandwidth
4 x CXP-12 Channels



Latest Gpixel CMOS Sensors



**65x65mm/
400grams**
Smallest of Its Class



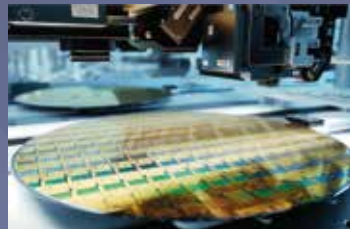
Up to 65MP
For capturing the
smallest details



PCB inspection



Flat panel displays



Wafer inspection



Battery cell assembly

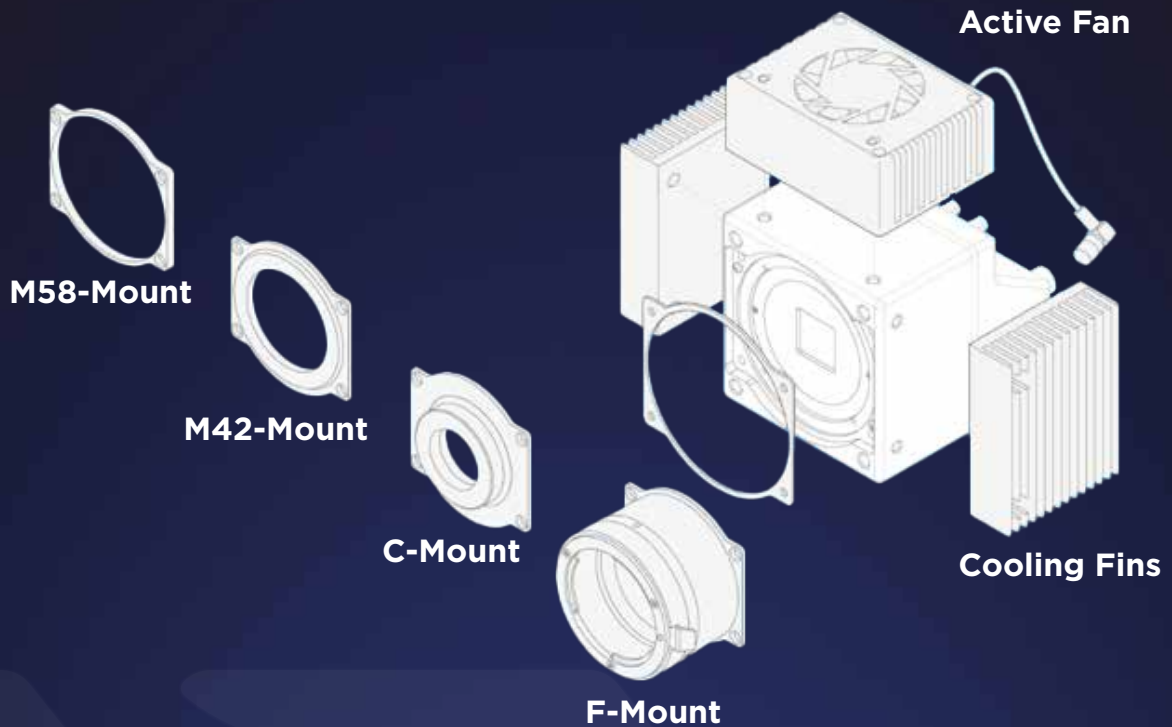
A powerful CXP-12 portfolio makes for easy selection, ultimate compatibility, reduce system design and cost.



- Matching 4-channel CXP-12 interface card available for integration with pylon software for plug-and-play performance
- Compatible with Basler M58-mount, M42-mount, C-mount and F-mount lenses for optimal image quality
- Matching cables: Basler Standard cables (up to 30 meters), drag chain-suitable Premium cables, USB 2.0 cable for firmware updates, pigtail cable for signal control, and power supply cable
- Durable Basler Standard Lights (plug-and-play)

Flexible Mounting System

The boost V flexible mounting system is a crucial component in our targeted applications, offering adaptability and convenience with a versatile solution. Considering the special requirements for lenses and mounts in demanding applications, this allows great flexibility in selecting the right lens mount that saves time and resources during spec-ins. The optional cooling add-ons also gives you even greater flexibility in your boost V configurations.



Cameras

	Order No.	Product Description	Sensor	Resolution	Frame rate	Format	Pixel Size	H x V
	2200001214	boA5120-230cm	GSPRINT4521	21MP	230 fps	1.84"	4.5µm	5120 px x 4096 px
	2200001215	boA5120-230cc	GSPRINT4521	21MP	230 fps	1.84"	4.5µm	5120 px x 4096 px
	2200001210	boA5120-150cm	GMAX0505	25MP	150 fps	1.1"	2.5µm	5120 px x 5120 px
	2200001211	boA5120-150cc	GMAX0505	25MP	150 fps	1.1"	2.5µm	5120 px x 5120 px
	2200002031	boA9344-30cm	GMAX3265	65MP	30 fps	2.3"	3.2µm	9344 px x 7000 px
	2200002032	boA9344-30cc	GMAX3265	65MP	30 fps	2.3"	3.2µm	9344 px x 7000 px
	2200001212	boA9344-70cm	GMAX3265	65MP	70 fps	2.3"	3.2µm	9344 px x 7000 px
	2200001213	boA9344-70cc	GMAX3265	65MP	70 fps	2.3"	3.2µm	9344 px x 7000 px

Component & Accessories

	Order No.	Product Description
	2200001813	C-Mount for boost V
	2200001814	F-Mount for boost V
	2200001815	M58-Mount for boost V
	2200001816	M42-Mount for boost V
	2200001253	Cooling fins, black (2pcs)
	2200001398	boost V active fan